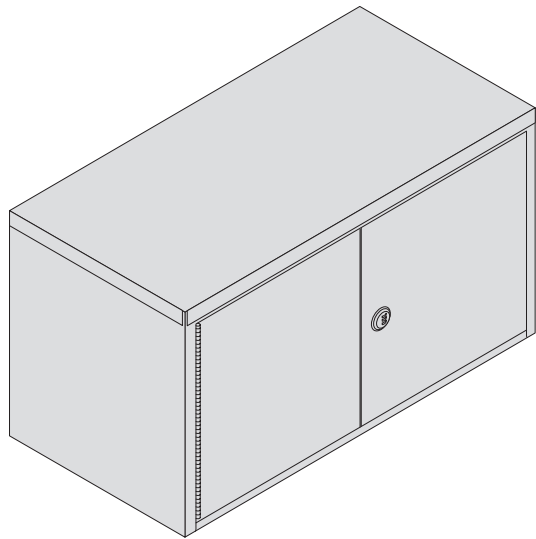


## Nar-Lock narcotic cabinet

## Combination lock cabinet

Model# NL-1C-D



### Features

- 21" w 12" h x 10.5" d
- Combination lock
- Constructed of 20 gauge, type 304 stainless steel, polished to a #4 finish.

### Product Dimensions

