

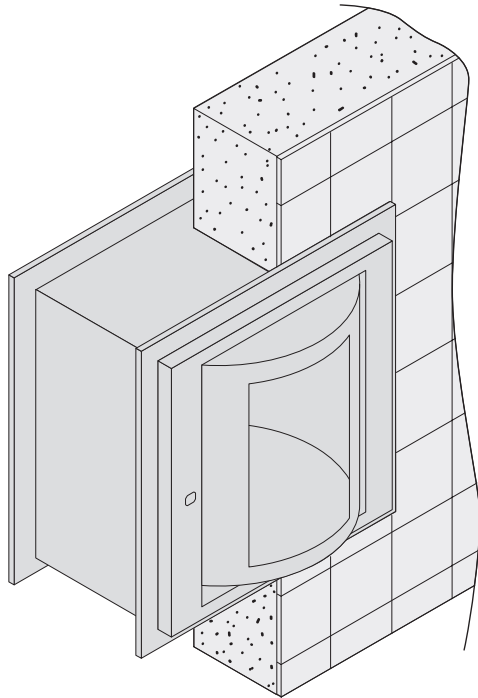


Inter Dyne Systems, Inc.
676 Ellis Road
Norton Shores, MI 49441
Ph: 877.4ss.labs
www.interdynesystems.com

Nar-Lock Narcotic Cabinet

Turntable Specimen Pass Box

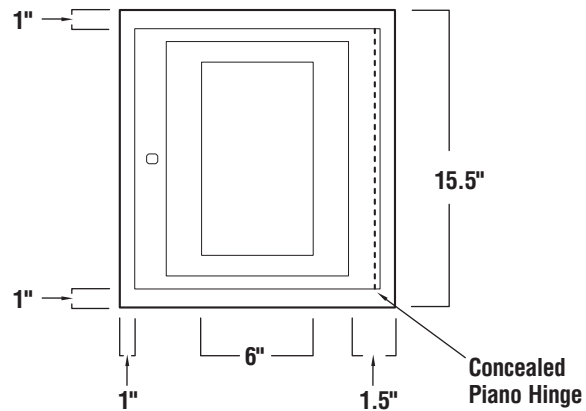
Model# 0515



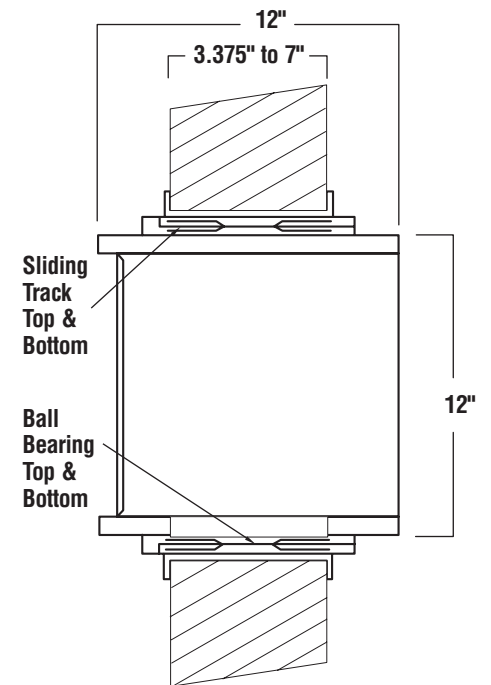
Features

- 14 3/4" h x 15" w x 15 1/2" d
- Wall opening 13 3/4" x 15 1/2"
- Turntable is adjustable for walls from 3" up to 7" thick
- Constructed of 22 gauge, type 304 stainless steel, polished to a #4 finish

Product Dimensions



FRONT VIEW



SIDE VIEW: SECTION