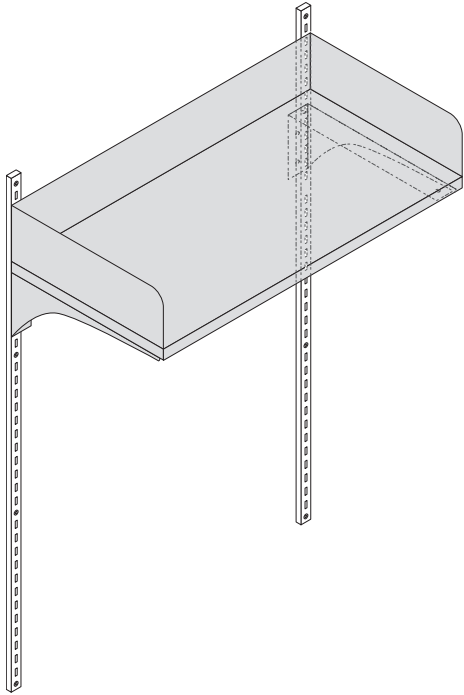


Stainless Steel Carboy Shelves

Shelf standard mount carboy shelf



| <i>Features</i> | <i>Model Number</i> | <i>Dimensions</i> |
|--|---------------------|-------------------|
| • All stainless steel construction | CS-18-S | 18"w x 12"d |
| • Made from 18 gauge material | CS-20-S | 20"w x 12"d |
| • Type 304 stainless steel, #4 finish | CS-24-S | 24"w x 12"d |
| • 4"h wraparound | CS-30-S | 30"w x 12"d |
| | CS-32-S | 32"w x 12"d |
| | CS-36-S | 36"w x 12"d |
| | CS-48-S | 48"w x 12"d |