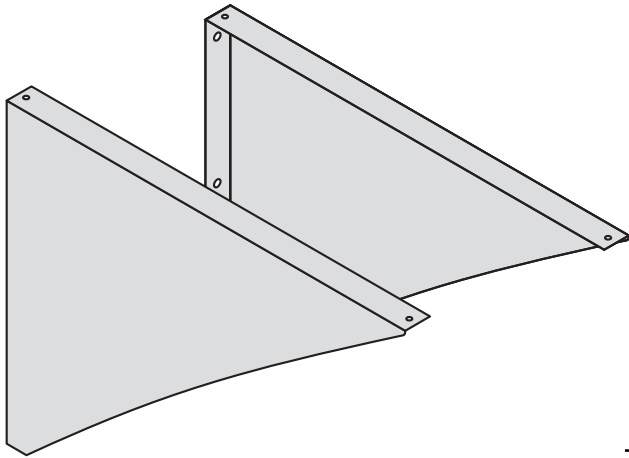


## Stainless Steel Brackets

## Countertop Bracket



### Features

- All stainless steel construction
- Made from 16 gauge material
- Type 304 stainless steel, #4 finish

### Model Number

CTB-25  
CTB-30

### Dimensions

24.5"d x 18"h x 1.5"w  
29.5"d x 18"h x 1.5"w

### Product Dimensions

