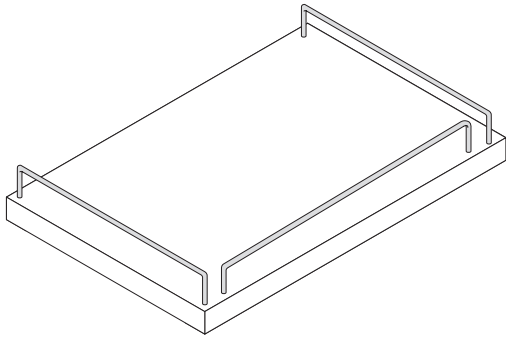


# Stainless Steel Wall Shelves

# Seismic lip



### Features

- All stainless steel construction
- Made from 18 gauge material
- 11" and 14" long
- Lip from 1/4" type 304 stainless steel rod, #4 finish

### Model Number

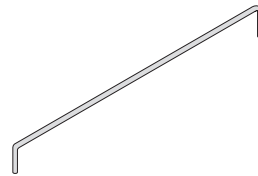
- SL-11
- SL-14

### Dimensions

- 11"w x 2"h x 1/4"diam.
- 14"w x 2"h x 1/4"diam.



11"



14"



INTER DYNE  
SYSTEMS

Inter Dyne Systems, Inc.  
676 Ellis Road, Norton Shores, MI 49441  
Ph: 877.4ss.labs  
[www.interdynesystems.com](http://www.interdynesystems.com)