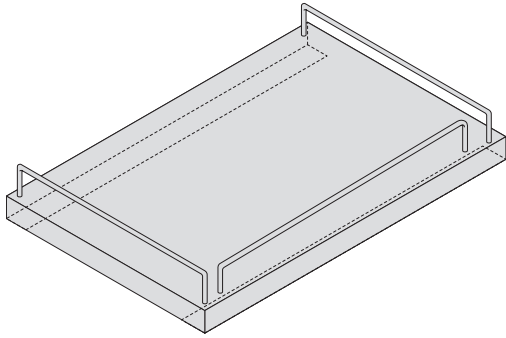


Stainless Steel Wall Shelves

Wall shelf with seismic lip



<i>Features</i>	<i>Model Number</i>	<i>Dimensions</i>
• All stainless steel construction	WS-1812-SL	18"w x 12"d x 1"h
• Made from 18 gauge material	WS-2412-SL	24"w x 12"d x 1"h
• 3 to 7 seismic lips included, depending on shelf width.	WS-3012-SL	30"w x 12"d x 1"h
	WS-3612-SL	36"w x 12"d x 1"h
• Lip from 1/4" type 304 stainless steel rod, #4 finish	WS-4812-SL	48"w x 12"d x 1"h
	WS-6012-SL	60"w x 12"d x 1"h
	WS-7212-SL	72"w x 12"d x 1"h