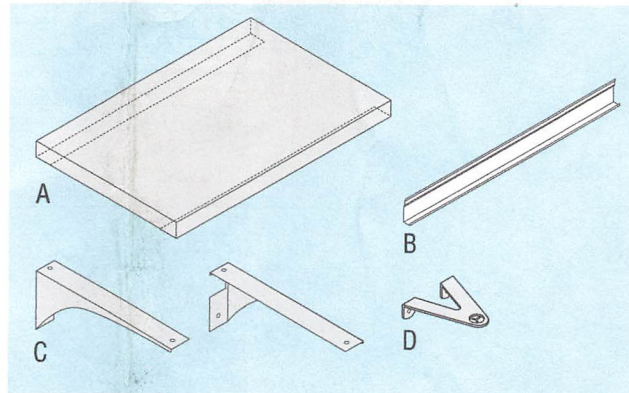


INTER DYNE SYSTEMS INSTALLATION SHEET

WALL MOUNT SHELVING AND PEGBOARD

In this package:

- A. 1-Shelf
- B. 1-Pegboard wall mount bracket
- C. 2-Shelf brackets
- D. 1-Stabilizing bracket



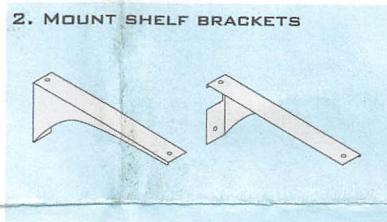
1. DETERMINE PLACEMENT ON WALL

Confirm that there is enough room side-to-side and top-to-bottom to accommodate both the shelf length and the pegboard height.

2. MOUNT SHELF BRACKETS

2. MOUNT SHELF BRACKETS

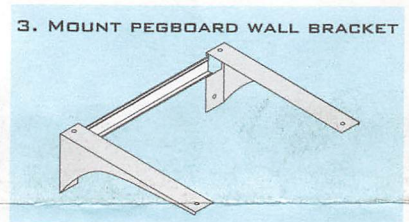
Align and level shelf brackets, mount to wall using hardware appropriate for wall surface and material.



3. MOUNT PEGBOARD WALL BRACKET

3. MOUNT PEGBOARD WALL BRACKET

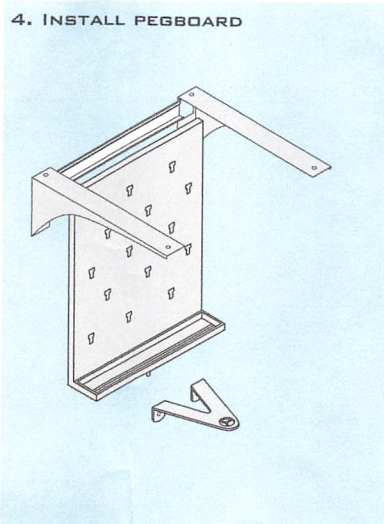
Position pegboard wall bracket between shelf brackets, centered in cutouts. Level, then attach with hardware appropriate for wall surface and material.



4. INSTALL PEGBOARD

Hang pegboard from wall bracket. (You may want to install pegs and other pegboard accessories before hanging pegboard on wall.) Install Stabilizing Bracket as shown in directions supplied.

4. INSTALL PEGBOARD



5. INSTALL SHELF

Rest shelf on brackets, mark and drill holes. Screw together using #8 sheet metal screws. Tighten firmly to prevent shelf movement or sway.

5. INSTALL SHELF

