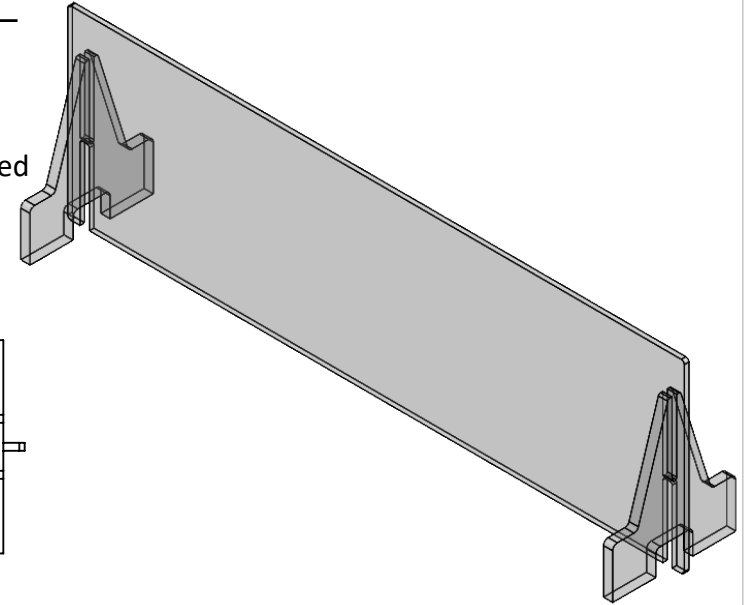


# "FASG" Free-Standing Acrylic Splash Guard

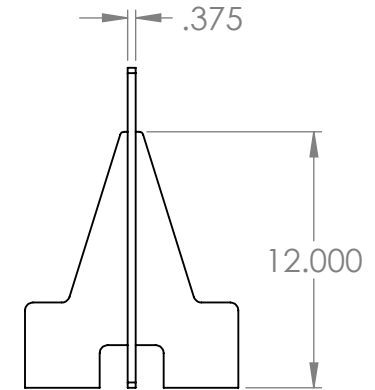
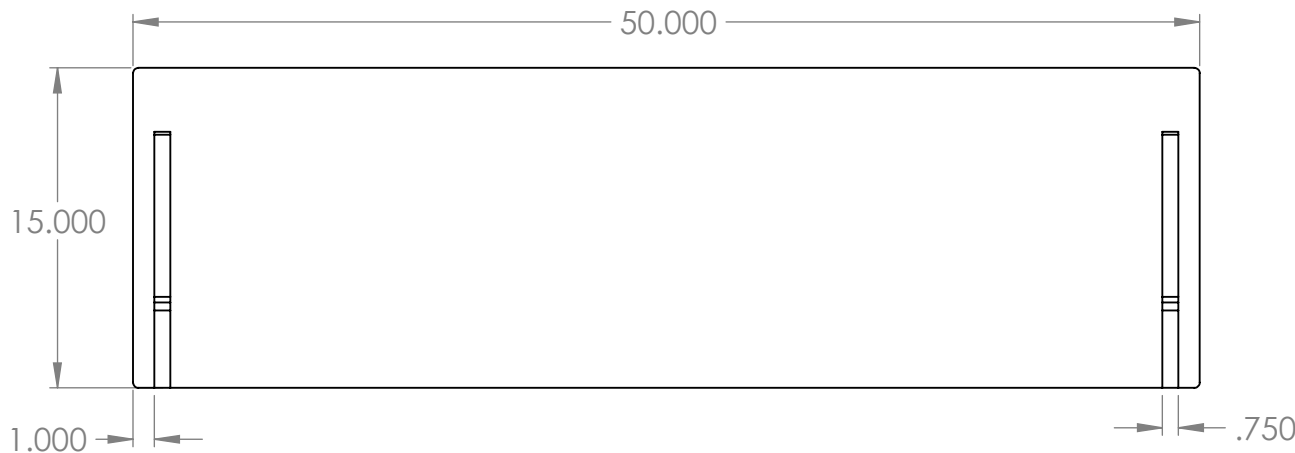
Clear acrylic splash guard with two legs to hold it.

## Features

- 50"w x 15"h x 3/8"d
- 2 - 10"w x 12"h x 3/4"d legs
- Eased and flame polished edges



## Product Dimensions



UNLESS OTHERWISE SPECIFIED:	NAME	DATE
DIMENSIONS ARE IN INCHES	DRAWN	ASR 11/8/2018
TOLERANCES:	CHECKED	
FRACTIONAL ±	ENG APPR.	
ANGULAR: MACH ± BEND ±	MFG APPR.	
TWO PLACE DECIMAL ±	Q.A.	
THREE PLACE DECIMAL ±	COMMENTS:	
INTERPRET GEOMETRIC TOLERANCING PER:		
MATERIAL		
3/8" CLEAR ACRYLIC		
FINISH		
EDGES EASED & POLISH		
DO NOT SCALE DRAWING		

**PROPRIETARY AND CONFIDENTIAL**  
 THE INFORMATION CONTAINED IN THIS DRAWING IS THE SOLE PROPERTY OF INTER DYNE SYSTEMS. ANY REPRODUCTION IN PART OR AS A WHOLE WITHOUT THE WRITTEN PERMISSION OF INTERDYNE SYSTEMS IS PROHIBITED.

INTER DYNE SYSTEM, INC 676 E.Ellis Rd., Norton Shores, MI 49441 Phone: 231-799-8760 Fax: 231-799-9690		
TITLE:		
<h1>FASG-5015</h1>		
SIZE	DWG. NO.	REV
<b>A</b>		
SCALE: 1:10	WEIGHT:	SHEET 1 OF 1