



INTER DYNE SYSTEMS

676 E. Ellis Rd., Norton Shores, MI 49441
P: 231-799-8760 F: 231-799-9690
Toll-Free: 877-4SS-LABS (477-5227)
www.interdynesystems.com

- Major Credit Cards Accepted
- All item prices are F.O.B Norton Shores, MI 49441
- Terms are Net 30 days, with approved account
- Most items are stocked for quick shipment

Retail PRICE LIST JANUARY 2019

TABLE OF CONTENTS

Pegboards and Accessories	
Victoria Pegboards	Pg 2
Baron Pegboards	Pg 3
Epoxy Pegboards	Pg 3
Acrylic Pegboards	Pg 3
Finished Backs	Pg 6
Free Standing Assembly	Pg 6
Raised Top Assembly	Pg 6
Pegs	Pg 7
Accessories	Pg 8
Acrylic Splash Guards	Pg 4
Acrylic Shelf Lips and Shelf Ends	Pg 5
Acrylic Fume Hoods	Pg 5
Flask Shelf	Pg 8
Coat Rack	Pg 8
Grommets/Sleeves	Pg 8
Drip Troughs	Pg 9
Screen Inserts and Drain Grids	Pg 10
Carboy Shelves	Pg 11-12
Adjustable Graduated Cylinder Racks	Pg 12
Reagent Rack Uprights	Pg 13
Seismic Lips and Turrets	Pg 13
Stainless Steel Shelving	
Wall Shelves	Pg 14-15
Standards, Brackets	Pg 16
Heavy Duty Standards, Brackets	Pg 17
Painted Shelving	
Wall Shelves	Pg 18
Standards, Brackets	Pg 19
Heavy Duty Standards, Brackets	Pg 20
Discovery Posts, Shelving & Brackets	Pg 21
Narcotics Cabinets and Pass-Thrus	Pg 22
S/S Canopy Hoods	Pg 23
S/S Table Tops	Pg 23
Table Frames and Scullery Units	Pg 24-26
Base, Wall and Tall Cabinets	Pg 27-29
Countertops	Pg 30

STAINLESS STEEL PEGBOARD SYSTEMS

"V" VICTORIA MOD-RACK PEGBOARDS WITH DRIP TROUGHS AND CATCH DRAINS

All "V" models come complete with integral drip trough, wall mount bracket, white 6" pegs and clear plastic tubing.

VICTORIA PEGBOARDS

MODEL NO.	SIZE (W x H)	NO. OF PEGS	RETAIL PRICE	SHIPPING WT.	SHIPPING DIM.
V1824	18" x 24"	15	\$358.50	16 lbs.	32 x 27 x 7
V1830	18" x 30"	24	\$414.00	16 lbs.	38 x 27 x 7
V1836	18" x 36"	30	\$450.00	19 lbs.	38 x 27 x 7
V2418	24" x 18"	16	\$381.75	13 lbs.	32 x 27 x 7
V2424	24" x 24"	20	\$444.00	16 lbs.	32 x 33 x 7
V2430	24" x 30"	32	\$469.50	19 lbs.	38 x 33 x 7
V2436	24" x 36"	40	\$568.50	21 lbs.	38 x 27 x 7
V2624	26" x 24"	20	\$486.00	19 lbs.	38 x 33 x 7
V3024	30" x 24"	25	\$526.50	20 lbs.	38 x 33 x 7
V3030	30" x 30"	50	\$534.75	24 lbs.	38 x 39 x 7
V3036	30" x 36"	40	\$573.00	23 lbs.	38 x 33 x 7
V3624	36" x 24"	30	\$565.50	21 lbs.	38 x 27 x 7
V3630	36" x 30"	60	\$606.75	23 lbs.	38 x 33 x 7
V3636	36" x 36"	66	\$687.75	25 lbs.	38 x 39 x 7
V4824	48" x 24"	40	\$696.75	22 lbs.	50 x 27 x 7
V4830	48" x 30"	48	\$815.25	26 lbs.	50 x 34 x 7
V4836	48" x 36"	88	\$987.00	31 lbs.	50 X 39 x 7

*Add "-2" to the end of the part number for a drip trough that is only 2", otherwise it is 4".

VICTORIA PEGBOARDS with INTEGRAL ADJUSTABLE HEIGHT BRACKETS*

MODEL NO.	SIZE (W x H)	NO. OF PEGS	RETAIL PRICE	SHIPPING WT.	SHIPPING DIM.
V1824-AHB	18" x 24"	15	\$396.00	16 lbs.	32 x 27 x 7
V1830-AHB	18" x 30"	24	\$451.50	16 lbs.	38 x 27 x 7
V1836-AHB	18" x 36"	30	\$487.50	19 lbs.	38 x 27 x 7
V2418-AHB	24" x 18"	16	\$419.25	13 lbs.	32 x 27 x 7
V2424-AHB	24" x 24"	20	\$481.50	16 lbs.	32 x 33 x 7
V2430-AHB	24" x 30"	32	\$507.00	19 lbs.	38 x 33 x 7
V2436-AHB	24" x 36"	40	\$606.00	21 lbs.	38 x 27 x 7
V2624-AHB	26" x 24"	20	\$523.50	19 lbs.	38 x 33 x 7
V3024-AHB	30" x 24"	25	\$564.00	20 lbs.	38 x 33 x 7
V3030-AHB	30" x 30"	50	\$572.25	24 lbs.	38 x 39 x 7
V3036-AHB	30" x 36"	40	\$610.50	23 lbs.	38 x 33 x 7
V3624-AHB	36" x 24"	30	\$603.00	21 lbs.	38 x 27 x 7
V3630-AHB	36" x 30"	60	\$644.25	23 lbs.	38 x 33 x 7
V3636-AHB	36" x 36"	66	\$725.25	25 lbs.	38 x 39 x 7
V4824-AHB	48" x 24"	40	\$734.25	22 lbs.	50 x 27 x 7
V4830-AHB	48" x 30"	48	\$852.75	26 lbs.	50 x 34 x 7
V4836-AHB	48" x 36"	88	\$1,024.50	31 lbs.	50 X 39 x 7

*Add "-2" to the end of the part number for a drip trough that is only 2", otherwise it is 4".

*Adjustable height brackets allow pegboard to be mounted on single or double slot adjustable standards.

"B" BARON MOD-RACK PEGBOARDS WITH DRIP DEFECTOR

All "B" models come complete with wall mount bracket and white standard 6" pegs.

BARON PEGBOARDS

MODEL NO.	SIZE (W x H)	NO. OF PEGS	RETAIL PRICE	SHIPPING WT.	SHIPPING DIM.
B2430	24" x 30"	32	\$406.50	20 lbs.	28 x 34 x 6
B3024	30" x 24"	32	\$406.50	16 lbs.	34 x 28 x 6
B3030	30" x 30"	50	\$450.00	20 lbs.	31 x 34 x 4
B3036	36" x 36"	55	\$522.00	21 lbs.	40 x 40 x 6
B3630	36" x 30"	50	\$522.00	21 lbs.	40 x 34 x 6

EPOXY PEGBOARDS

EPOXY PEGBOARDS

MODEL NO.	SIZE (W x H)	NO. OF PEGS	RETAIL PRICE	SHIPPING WT.	SHIPPING DIM.
EPB-1824	18" x 24"	21	\$261.00	33 lbs.	19 x 27 x 3
EPB-2424	24" x 24"	28	\$355.50	44 lbs.	25 x 27 x 3
EPB-2430	24" x 30"	39	\$435.00	55 lbs.	25 x 33 x 3
EPB-3024	30" x 24"	39	\$435.00	66 lbs.	31 x 27 x 3
EPB-3030	30" x 30"	46	\$525.00	77 lbs.	31 x 33 x 3
EPB-3036	30" x 36"	59	\$639.00	88 lbs.	31 x 39 x 3
EPB-3630	36" x 30"	60	\$640.50	99 lbs.	37 x 33 x 3
EPB-3636	36" x 36"	68	\$751.50	110 lbs.	37 x 39 x 3
EPB-4830	48" x 30"	81	\$849.00	121 lbs.	49 x 33 x 3

ACRYLIC PEGBOARDS

ACRYLIC PEGBOARDS

MODEL NO.	SIZE (W x H)	NO. OF PEGS	RETAIL PRICE	SHIPPING WT.	SHIPPING DIM.
APB-1824	18" x 24"	16	\$354.00	15 lbs.	19 x 27 x3
APB-2424	24" x 24"	25	\$448.50	20 lbs.	25 x 27 x 3
APB-2430	24" x 30"	30	\$487.50	26 lbs.	25 x 33 x 3
APB-2436	24" x 36"	39	\$525.00	30 lbs.	25 x 39 x3
APB-3024	30" x 24"	33	\$487.50	26 lbs.	31 x 27 x 3
APB-3030	30" x 30"	41	\$525.00	32 lbs.	31 x 33 x 3
APB-3036	30" x 36"	50	\$544.50	38 lbs.	37 x 27 x 3
APB-3624	36" x 24"	39	\$525.00	38 lbs.	37 x 33 x3
APB-3630	36" x 30"	50	\$544.50	38 lbs.	37 x 39 x 3
APB-3636	36" x 36"	61	\$664.50	45 lbs.	37 x 39 x 3
APB-4830	48" x 30"	68	\$768.00	50 lbs.	49 x 33 x 3
APB-4836	48" x 36"	83	\$862.50	50 lbs.	49 x 33 x 3
APB-6030	60" x 30"	33	\$997.50	75 lbs.	61 x 33 x 3
APB-6033	60" x 33"	39	\$1,027.50	80 lbs.	61 x 36 x 3
APB-6036	60" x 36"	44	\$1,042.50	90 lbs.	61 x 39 x 3
APB-6633	66" x 33"	44	\$1,072.50	95 lbs.	67 x 36 x 3

*Custom sizes available, 0.75" thick is standard, 1" available upon request.

ACRYLIC ACCESSORIES

ACRYLIC SPLASH GUARDS (DIVIDER PANELS)

MODEL NO.	SIZE (W x H x T)	RETAIL PRICE	SHIPPING WT.	SHIPPING DIM.
ASG-2512-0.375	25" x 12" x .375"	\$103.50	6 lbs.	26 x 15 x 3
ASG-2512-0.50	25" x 12" x .50"	\$112.50	7 lbs.	26 x 15 x 3
ASG-2512-0.75	25" x 12" x .75"	\$163.50	10 lbs.	26 x 15 x 3
ASG-2518-0.375	25" x 18" x .375"	\$126.75	11 lbs.	26 x 21 x 3
ASG-2518-0.50	25" x 18" x .50"	\$138.00	12 lbs.	26 x 21 x 3
ASG-2518-0.75	25" x 18" x .75"	\$201.00	16 lbs.	26 x 21 x 3
ASG-3012-0.375	30" x 12" x .375"	\$108.00	9 lbs.	31 x 15 x 3
ASG-3012-0.50	30" x 12" x .50"	\$117.00	10 lbs.	31 x 15 x 3
ASG-3012-0.75	30" x 12" x .75"	\$168.00	13 lbs.	31 x 15 x 3
ASG-3018-0.375	30" x 18" x .375"	\$160.50	19 lbs.	31 x 21 x 3
ASG-3018-0.50	30" x 18" x .50"	\$175.50	20 lbs.	31 x 21 x 3
ASG-3018-0.75	30" x 18" x .75"	\$259.50	24 lbs.	31 x 21 x 3

* Custom sizes available

ACRYLIC NOTCHED SPLASH GUARDS (DIVIDER PANELS)

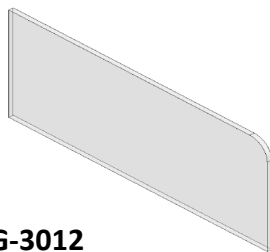
MODEL NO.	SIZE (W x H x T)	RETAIL PRICE	SHIPPING WT.	SHIPPING DIM.
ASGN-2512-0.375	25" x 12" x .375"	\$103.50	6 lbs.	26 x 15 x 3
ASGN-2512-0.50	25" x 12" x .50"	\$112.50	7 lbs.	26 x 15 x 3
ASGN-2512-0.75	25" x 12" x .75"	\$163.50	10 lbs.	26 x 15 x 3
ASGN-2518-0.375	25" x 18" x .375"	\$126.75	11 lbs.	26 x 21 x 3
ASGN-2518-0.50	25" x 18" x .50"	\$138.00	12 lbs.	26 x 21 x 3
ASGN-2518-0.75	25" x 18" x .75"	\$201.00	16 lbs.	26 x 21 x 3
ASGN-3012-0.375	30" x 12" x .375"	\$108.00	9 lbs.	31 x 15 x 3
ASGN-3012-0.50	30" x 12" x .50"	\$117.00	10 lbs.	31 x 15 x 3
ASGN-3012-0.75	30" x 12" x .75"	\$168.00	13 lbs.	31 x 15 x 3
ASGN-3018-0.375	30" x 18" x .375"	\$160.50	19 lbs.	31 x 21 x 3
ASGN-3018-0.50	30" x 18" x .50"	\$175.50	20 lbs.	31 x 21 x 3
ASGN-3018-0.75	30" x 18" x .75"	\$259.50	24 lbs.	31 x 21 x 3

* Custom sizes available

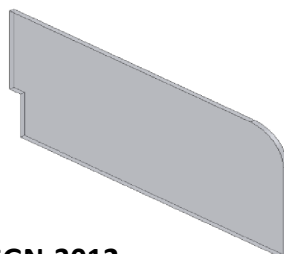
FREE-STANDING ACRYLIC SPLASH GUARDS

MODEL NO.	SIZE (W x H)	RETAIL PRICE
FASG-2515	25" x 15"	\$219.00
FASG-3015	30" x 15"	\$220.50
FASG-3515	35" x 15"	\$249.00
FASG-4015	40" x 15"	\$252.00
FASG-5015	50" x 15"	\$337.50

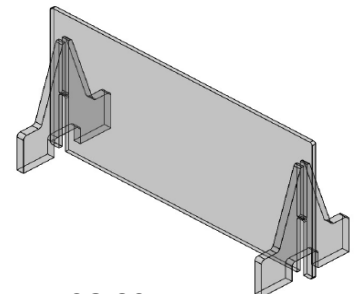
ASG-3012



ASGN-3012



FASG-3015

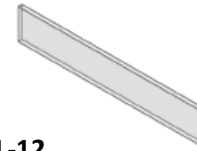


* Custom sizes available

ACRYLIC SHELF LIPS

MODEL NO.	SIZE (W x H x T)	RETAIL PRICE
ASL-12	12" X 2" x 0.25"	\$15.00
ASL-15	15" X 2" x 0.25"	\$18.00
ASL-16	16" X 2" x 0.25"	\$18.75
ASL-18	18" X 2" x 0.25"	\$21.75
ASL-18.5	18.5" X 2" x 0.25"	\$22.50
ASL-24	24" X 2" x 0.25"	\$28.50
ASL-24.5	24.5" X 2" x 0.25"	\$29.25
ASL-30	30" X 2" x 0.25"	\$34.50
ASL-30.5	30.5" X 2" x 0.25"	\$35.25
ASL-36	36" X 2" x 0.25"	\$41.63
ASL-36.5	36.5" X 2" x 0.25"	\$42.00
ASL-48	48" X 2" x 0.25"	\$53.25
ASL-48.5	48.5" X 2" x 0.25"	\$69.00

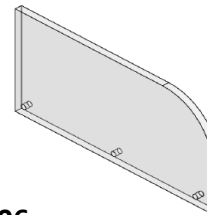
* Custom sizes available



ASL-12

ACRYLIC SHELF ENDS

MODEL NO.	SIZE (W x H x T)	RETAIL PRICE
ASE-1206	12" X 6" x 0.375"	\$22.50
ASE-1506	15" X 6" x 0.375"	\$26.25
ASE-1606	16" X 6" x 0.375"	\$28.50
ASE-1806	18" X 6" x 0.375"	\$31.50

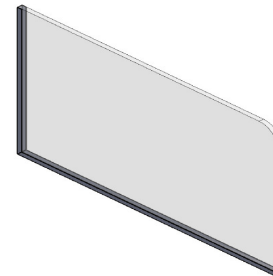


ASE-1206

STAINLESS STEEL U-CHANNELS

MODEL NO.	SIZE (W x H x T)	RETAIL PRICE
SSUC-12	12"L x ?? ID*	\$18.00
SSUC-18	18"L x ?? ID*	\$23.70
SSUC-24	24"L x ?? ID*	\$30.60
SSUC-30	30"L x ?? ID*	\$38.25
SSUC-36	36"L x ?? ID*	\$40.50
SSUC-48	48"L x ?? ID*	\$43.50
SSUC-60	60"L x ?? ID*	\$45.00
SSUC-66	66"L x ?? ID*	\$49.50

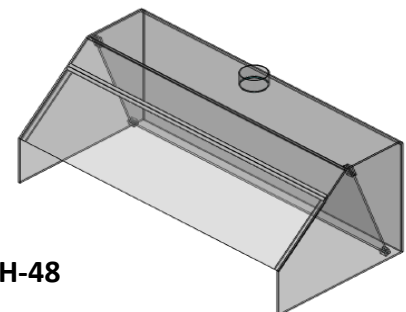
* ?? - Specify inside dimension when ordering.



**ASG-3012-0.75 with
SSUC-30 and SSUC-12**

ACRYLIC FUME HOODS

MODEL NO.	SIZE (L x W x H)	RETAIL PRICE
AFH-24	24" x 24" x 20"	\$930.00
AFH-36	36" x 24" x 20"	\$1,132.50
AFH-48	48" x 24" x 20"	\$1,188.00



AFH-48

PEGBOARD MOUNTING ASSEMBLIES

FINISHED BACKS

MODEL NO.	SIZE (W x H)	RETAIL PRICE	SHIPPING WT.	SHIPPING DIM.
FB-1824	18" x 24"	\$138.00	8 lbs.	28 x 34 x 6
FB-1830	18" x 30"	\$153.00	9 lbs.	28 x 34 x 6
FB-1836	18" x 36"	\$172.50	10 lbs.	28 x 34 x 6
FB-2418	24" x 18"	\$166.50	8 lbs.	28 x 34 x 6
FB-2424	24" x 24"	\$183.00	9 lbs.	28 x 34 x 6
FB-2430	24" x 30"	\$207.00	10 lbs.	28 x 34 x 6
FB-2436	24" x 36"	\$244.50	11 lbs.	40 x 34 x 6
FB-3024	30" x 24"	\$186.00	10 lbs.	28 x 34 x 6
FB-3030	30" x 30"	\$210.00	12 lbs.	31 x 34 x 4
FB-3036	30" x 36"	\$247.50	14 lbs.	40 x 34 x 6
FB-3624	36" x 24"	\$189.00	11 lbs.	40 x 34 x 6
FB-3630	36" x 30"	\$213.00	14 lbs.	40 x 34 x 6
FB-3636	36" x 36"	\$250.50	15 lbs.	38 x 39 x 7
FB-4824	48" x 24"	\$216.00	15 lbs.	50 x 26 x 7
FB-4830	48" x 30"	\$322.50	16 lbs.	50 x 32 x 7
FB-4836	48" x 36"	\$327.00	18 lbs.	50 x 38 x 7

FREE STANDING ASSEMBLY BRACKETS

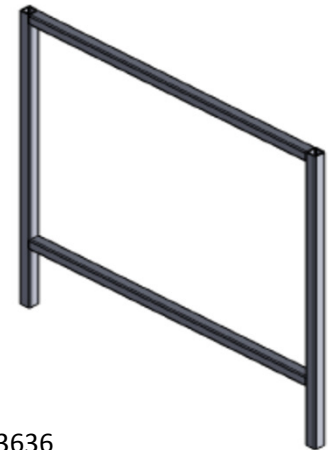
MODEL NO.	SIZE (W x H)	RETAIL PRICE	SHIPPING WT.	SHIPPING DIM.
FSA	8" X 23"	\$112.50	11 lbs.	8 x 23 x 2



FSA

RAISED TOP ASSEMBLY

MODEL NO.	SIZE (W x H)	RETAIL PRICE
RTA-1824	18"W x 24"H	\$169.50
RTA-1830	18"W x 30"H	\$174.00
RTA-1836	18"W x 36"H	\$178.50
RTA-1842	18"W x 42"H	\$183.00
RTA-2424	24"W x 24"H	\$174.00
RTA-2430	24"W x 30"H	\$178.50
RTA-2436	24"W x 36"H	\$183.00
RTA-2442	24"W x 42"H	\$187.50
RTA-3024	30"W x 24"H	\$178.50
RTA-3030	30"W x 30"H	\$183.00
RTA-3036	30"W x 36"H	\$187.50
RTA-3042	30"W x 42"H	\$192.00
RTA-3624	36"W x 24"H	\$183.00
RTA-3630	36"W x 30"H	\$187.50
RTA-3636	36"W x 36"H	\$192.00
RTA-3642	36"W x 42"H	\$196.50
RTA-4824	48"W x 24"H	\$192.00
RTA-4830	48"W x 30"H	\$196.50
RTA-4836	48"W x 36"H	\$201.00
RTA-4842	48"W x 42"H	\$205.50



RTA-3636

* Custom sizes available

LABORATORY PEGBOARD SYSTEMS PEGS

PEGS FOR STAINLESS STEEL PEGBOARDS

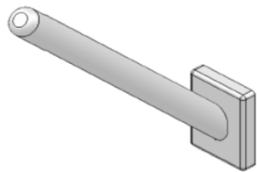
MODEL NO.	DESCRIPTION	RETAIL PRICE
LP-12	12" Long x .5" dia, White	\$3.00
LP-9	9" Long x .5" dia, White	\$3.00
TP-4	4" Long x .25" dia, White	\$3.00
PE-3	3" Peg Extender, White	\$3.00
HP-1	Hole Plug, White	\$3.00
SP-4	4" Support Peg, White	\$3.00

COLORED PEGS FOR STAINLESS STEEL PEGBOARDS (While supplies last)

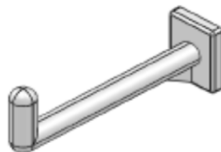
MODEL NO.	DESCRIPTION	RETAIL PRICE
LLP-6	Lilac Peg - 6" Long	\$3.00
WPB-6	Light Blue Peg - 6" Long	\$3.00
LYP-6	Yellow Peg - 6" Long	\$3.00
LGP-6	Green Peg - 6" Long	\$3.00
HPP-6	Pink Peg - 6" Long	\$3.00
CRP-6	Red Peg - 6" Long	\$3.00
PPP-6	Purple Peg - 6" Long	\$3.00
HOP-6	Orange Peg - 6" Long	\$3.00
OBP-6	Dark Blue Peg - 6" Long	\$3.00

TWO PRONG PEGS FOR ACRYLIC AND EPOXY PEGBOARDS

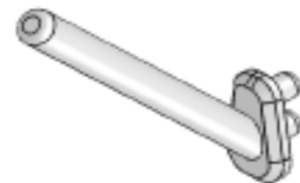
MODEL NO.	DESCRIPTION	RETAIL PRICE
EP-5	5.5" Long x .375" dia, White	\$3.00
EP-6	6.5" Long x .375" dia, White	\$3.00
EP-8	8.5" Long x .375" dia, White	\$3.00
EP-5-B	5.5" Long x .375" dia, Black	\$3.00
EP-6-B	6.5" Long x .375" dia, Black	\$3.00
EP-8-B	8.5" Long x .375" dia, Black	\$3.00



LP-9



SP-4



EP-5

ACCESSORIES

ACCESSORIES

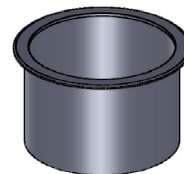
MODEL NO.	DESCRIPTION	RETAIL PRICE	SHIPPING WT.	SHIPPING DIM.
0210	Paper Towel Dispenser	\$97.50	6 lbs.	11 x 16 x 4
0215	Paper Towel Dispenser-Petite	\$97.50	4 lbs.	13 x 9 x 5
0342	Liquid Soap Dispenser-Horizontal	\$90.00	2 lbs.	11 x 8 x 4
0343	Liquid Soap Dispenser-Vertical	\$90.00	2 lbs.	8 x 4 x 4
GD-10	Glove Box Dispenser	\$69.00	2 lbs.	15 x 5 x 3
DS-12	Drain shelf	\$63.00	1 lbs.	15 x 5 x 3
PR-12	Pipette Rack	\$63.00	2 lbs.	15 x 5 x 3
CY-12	Cylinder Yolk	\$63.00	2 lbs.	15 x 5 x 3
FH-6	Flask Holder	\$41.25	2 lbs.	15 x 5 x 3
FR-12	Funnel Rack	\$63.00	2 lbs.	15 x 5 x 3
DB-6	Drain Basket- 6" long	\$41.25	2 lbs.	15 x 5 x 3
DB-12	Drain Basket- 12" long	\$63.00	2 lbs.	15 x 5 x 3

STAINLESS STEEL FLASK SHELF

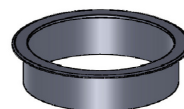
MODEL NO.	SIZE (W x D)	RETAIL PRICE	SHIPPING WT.	SHIPPING DIM.
FH-24	24" Long x 7" Deep	\$142.50	11 lbs.	26 x 8 x 13
FH-36	36" Long x 7" Deep	\$193.50	16 lbs.	40 x 8 x 13
FH-48	48" Long x 7" Deep	\$255.00	22 lbs.	50 x 8 x 13

STAINLESS STEEL COAT RACK

MODEL NO.	SIZE (W x H x T)	RETAIL PRICE
SCR-2404	24" x 4" x 0.5"	\$82.50
SCR-3604	36" x 4" x 0.5"	\$105.00
SCR-4804	48" x 4" x 0.5"	\$127.50
SCR-HOOK		\$9.00



GROM-VPS



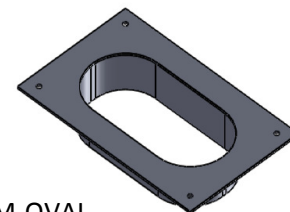
GROM-BTS

GROMMETS/SLEEVES

MODEL NO.	SIZE (W x H)	RETAIL PRICE
GROM-VPS	3" x 2.5"	\$97.50
GROM-BTS	3" x 1.25"	\$82.50
GROM-OVAL	8" x 5"	\$172.50

STAINLESS STEEL CORNER GUARDS

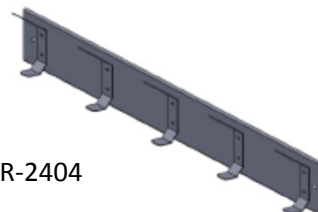
MODEL NO.	SIZE (W x H x L)	RETAIL PRICE
SCG-36	3" x 3" x 36"	\$17.25
SCG-48	3" x 3" x 48"	\$19.50
SCG-60	3" x 3" x 60"	\$24.00
SCG-72	3" x 3" x 72"	\$28.50



GROM-OVAL



FH-24



SCR-2404

FACE & UNDER MOUNTED DRIP TROUGHS

Drip troughs come with approximately 3' of drain tubing.

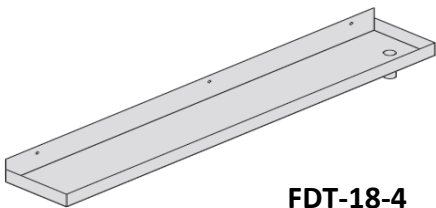
STAINLESS STEEL FACE MOUNTED DRIP TROUGHS

MODEL NO.	DIMENSIONS	RETAIL PRICE	SHIPPING WT.	SHIPPING DIM.
FDT-18-2	18" x 2"	\$58.13	2 lbs.	20 x 6 X 4
FDT-18-4	18" x 4"	\$58.13	2 lbs.	20 x 6 X 4
FDT-20-2	20" x 2"	\$61.50	2 lbs.	22 x 6 X 4
FDT-20-4	20" x 4"	\$61.50	2 lbs.	22 x 6 X 4
FDT-24-2	24" x 2"	\$63.75	3 lbs.	26 x 6 X 4
FDT-24-4	24" x 2"	\$63.75	3 lbs.	26 x 6 X 4
FDT-30-2	30" x 2"	\$69.00	4 lbs.	32 x 6 X 4
FDT-30-4	30" x 4"	\$69.00	4 lbs.	32 x 6 X 4
FDT-32-2	32" x 2"	\$69.75	4 lbs.	38 x 6 X 4
FDT-32-4	32" x 4"	\$69.75	4 lbs.	38 x 6 X 4
FDT-36-2	36" x 2"	\$72.75	4 lbs.	38 x 6 X 4
FDT-36-4	36" x 4"	\$72.75	4 lbs.	38 x 6 X 4
FDT-42-2	42" x 2"	\$79.50	5 lbs.	44 x 6 X 4
FDT-42-4	42" x 4"	\$79.50	5 lbs.	44 x 6 X 4
FDT-48-2	48" x 2"	\$87.00	5 lbs.	50 x 6 X 4
FDT-48-4	48" x 4"	\$87.00	5 lbs.	50 x 6 X 4
FDT-60-2	60" x 2"	\$107.25	5 lbs.	50 x 6 X 4
FDT-60-4	60" x 4"	\$107.25	5 lbs.	50 x 6 X 4

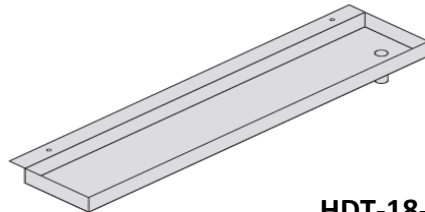
STAINLESS STEEL UNDER MOUNTED DRIP TROUGHS

MODEL NO.	RETAIL PRICE					SHIPPING WT.	SHIPPING DIM.
HDT-18-2	\$58.13					2 lbs.	20 x 6 X 4
HDT-18-4	\$58.13					2 lbs.	20 x 6 X 4
HDT-20-2	\$61.50					2 lbs.	22 x 6 X 4
HDT-20-4	\$61.50					2 lbs.	22 x 6 X 4
HDT-24-2	\$63.75					3 lbs.	26 x 6 X 4
HDT-24-4	\$63.75					3 lbs.	26 x 6 X 4
HDT-30-2	\$69.00					4 lbs.	32 x 6 X 4
HDT-30-4	\$69.00					4 lbs.	32 x 6 X 4
HDT-32-2	\$69.75					4 lbs.	38 x 6 X 4
HDT-32-4	\$69.75					4 lbs.	38 x 6 X 4
HDT-36-2	\$72.75					4 lbs.	38 x 6 X 4
HDT-36-4	\$72.75					4 lbs.	38 x 6 X 4
HDT-42-2	\$79.50					5 lbs.	44 x 6 X 4
HDT-42-4	\$79.50					5 lbs.	44 x 6 X 4
HDT-48-2	\$87.00					5 lbs.	50 x 6 X 4
HDT-48-4	\$87.00					5 lbs.	50 x 6 X 4
HDT-60-2	\$107.25					6 lbs.	62 x 6 X 4
HDT-60-4	\$107.25					6 lbs.	62 x 6 X 4

* Model numbers can be mixed to gain quantity pricing advantage



FDT-18-4



HDT-18-4

SCREEN INSERTS & DRAIN GRIDS

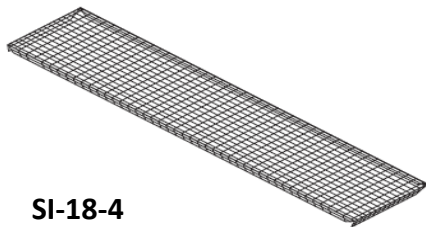
Screen inserts and drain grids for Mod-Rack pegboards, FDT drip troughs and HDT drip troughs, both 2" and 4" wide.

STAINLESS STEEL SCREEN INSERTS

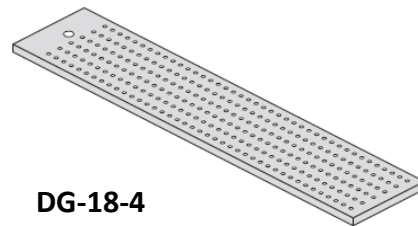
MODEL NO.	DIMENSIONS	RETAIL PRICE	SHIPPING WT.	SHIPPING DIM.
SI-18-2	18" x 2"	\$54.00	2 lbs.	20 x 4 x 3
SI-18-4	18" x 4"	\$54.00	2 lbs.	20 x 4 x 3
SI-20-2	20" x 2"	\$57.38	2 lbs.	22 x 4 x 3
SI-20-4	20" x 4"	\$57.38	2 lbs.	22 x 4 x 3
SI-24-2	24" x 2"	\$58.88	2 lbs.	26 x 4 x 3
SI-24-4	24" x 4"	\$58.88	2 lbs.	26 x 4 x 3
SI-26-2	26" x 2"	\$61.50	2 lbs.	32 x 4 x 3
SI-26-4	26" x 4 "	\$61.50	2 lbs.	32 x 4 x 3
SI-30-2	30" x 2"	\$64.50	2 lbs.	32 x 4 x 3
SI-30-4	30" x 4 "	\$64.50	2 lbs.	32 x 4 x 3
SI-32-2	32" x 2"	\$69.00	2 lbs.	36 x 4 x 3
SI-32-4	32" x 4"	\$69.00	2 lbs.	36 x 4 x 3
SI-36-2	36" x 2"	\$70.88	3 lbs.	38 x 4 x 3
SI-36-4	36" x 4"	\$70.88	3 lbs.	38 x 4 x 3
SI-42-2	42" x 2"	\$75.75	3 lbs.	44 x 4 x 3
SI-42-4	42" x 4"	\$75.75	3 lbs.	44 x 4 x 3
SI-48-2	48" x 2"	\$79.13	3 lbs.	50 x 4 x 3
SI-48-4	48" x 4"	\$79.13	3 lbs.	50 x 4 x 3

STAINLESS STEEL DRAIN GRIDS

MODEL NO.	DIMENSIONS	RETAIL PRICE	SHIPPING WT.	SHIPPING DIM.
DG-18-2	18" x 2"	\$54.00	2 lbs.	20 x 4 x 3
DG-18-4	18" x 4"	\$54.00	2 lbs.	20 x 4 x 3
DG-20-2	20" x 2"	\$57.38	2 lbs.	22 x 4 x 3
DG-20-4	20" x 4"	\$57.38	2 lbs.	22 x 4 x 3
DG-24-2	24" x 2"	\$58.88	2 lbs.	26 x 4 x 3
DG-24-4	24" x 4"	\$58.88	2 lbs.	26 x 4 x 3
DG-26-2	26" x 2"	\$61.50	2 lbs.	32 x 4 x 3
DG-26-4	26" x 4 "	\$61.50	2 lbs.	32 x 4 x 3
DG-30-2	30" x 2"	\$64.50	2 lbs.	32 x 4 x 3
DG-30-4	30" x 4 "	\$64.50	2 lbs.	32 x 4 x 3
DG-32-2	32" x 2"	\$69.00	2 lbs.	36 x 4 x 3
DG-32-4	32" x 4"	\$69.00	2 lbs.	36 x 4 x 3
DG-36-2	36" x 2"	\$70.88	3 lbs.	38 x 4 x 3
DG-36-4	36" x 4"	\$70.88	3 lbs.	38 x 4 x 3
DG-42-2	42" x 2"	\$75.75	3 lbs.	44 x 4 x 3
DG-42-4	42" x 4"	\$75.75	3 lbs.	44 x 4 x 3
DG-48-2	48" x 2"	\$79.13	3 lbs.	50 x 4 x 3
DG-48-4	48" x 4"	\$79.13	3 lbs.	50 x 4 x 3



SI-18-4



DG-18-4

STAINLESS STEEL CARBOY SHELVES

This unique shelf system will adapt to not only the Inter Dyne Systems stainless steel pegboards but also existing acrylic, epoxy, stone or wood pegboards. This unit is manufactured from Type 304 stainless steel with a #4 finish and features a rail system on the underside for support. These shelves can also be supplied with an **Adjustable Graduated Cylinder Racking System** by adding the suffix "-DLX" to your desired model number. All shelving comes standard in 12" or 16" depths.

CARBOY SHELVES - PEGBOARD MOUNT

MODEL NO.	DIMENSION (W x D)	RETAIL PRICE	SHIPPING WT.	SHIPPING DIM.
CS-18-P-12	18" x 12"	\$222.00	6 lbs.	20 x 14 x 14
CS-18-P-16	18" x 16"	\$246.00	9 lbs.	20 x 18 x 14
CS-20-P-12	20" x 12"	\$229.50	7 lbs.	22 x 14 x 14
CS-20-P-16	20" x 16"	\$238.50	10 lbs.	22 x 18 x 14
CS-24-P-12	24" x 12"	\$238.50	7 lbs.	26 x 14 x 14
CS-24-P-16	24" x 16"	\$273.00	11 lbs.	26 x 18 x 14
CS-30-P-12	30" x 12"	\$261.00	10 lbs.	32 x 14 x 14
CS-30-P-16	30" x 16"	\$292.50	14 lbs.	32 x 18 x 18
CS-32-P-12	32" x 12"	\$265.50	11 lbs.	34 x 14 x 14
CS-32-P-16	32" x 16"	\$283.50	15 lbs.	34 x 18 x 14
CS-36-P-12	36" x 12"	\$283.50	14 lbs.	38 x 14 x 14
CS-36-P-16	36" x 16"	\$319.50	18 lbs.	38 x 18 x 14
CS-48-P-12	48" x 12"	\$345.00	18 lbs.	50 x 14 x 14
CS-48-P-16	48" x 16"	\$408.75	22 lbs.	50 x 18 x 14

CARBOY SHELVES - WALL MOUNT

MODEL NO.	DIMENSION (W x D)	RETAIL PRICE	SHIPPING WT.	SHIPPING DIM.
CS-18-W-12	18" x 12"	\$222.00	6 lbs.	20 x 14 x 14
CS-18-W-16	18" x 16"	\$246.00	9 lbs.	20 x 18 x 14
CS-20-W-12	20" x 12"	\$229.50	7 lbs.	22 x 14 x 14
CS-20-W-16	20" x 16"	\$238.50	10 lbs.	22 x 18 x 14
CS-24-W-12	24" x 12"	\$238.50	7 lbs.	26 x 14 x 14
CS-24-W-16	24" x 16"	\$273.00	11 lbs.	26 x 18 x 14
CS-30-W-12	30" x 12"	\$261.00	10 lbs.	32 x 14 x 14
CS-30-W-16	30" x 16"	\$292.50	14 lbs.	32 x 18 x 18
CS-32-W-12	32" x 12"	\$265.50	11 lbs.	34 x 14 x 14
CS-32-W-16	32" x 16"	\$283.50	15 lbs.	34 x 18 x 14
CS-36-W-12	36" x 12"	\$283.50	14 lbs.	38 x 14 x 14
CS-36-W-16	36" x 16"	\$319.50	18 lbs.	38 x 18 x 14
CS-48-W-12	48" x 12"	\$345.00	18 lbs.	50 x 14 x 14
CS-48-W-16	48" x 16"	\$408.75	22 lbs.	50 x 18 x 14

CARBOY SHELVES - ADJUSTABLE WALL STANDARD MOUNT

MODEL NO.	DIMENSION (W x D)	RETAIL PRICE	SHIPPING WT.	SHIPPING DIM.
CS-18-S-12	18" x 12"	\$222.00	6 lbs.	20 x 14 x 14
CS-18-S-16	18" x 16"	\$246.00	9 lbs.	20 x 18 x 14
CS-20-S-12	20" x 12"	\$229.50	7 lbs.	22 x 14 x 14
CS-20-S-16	20" x 16"	\$238.50	10 lbs.	22 x 18 x 14
CS-24-S-12	24" x 12"	\$238.50	7 lbs.	26 x 14 x 14
CS-24-S-16	24" x 16"	\$273.00	11 lbs.	26 x 18 x 14
CS-30-S-12	30" x 12"	\$261.00	10 lbs.	32 x 14 x 14
CS-30-S-16	30" x 16"	\$292.50	14 lbs.	32 x 18 x 18
CS-32-S-12	32" x 12"	\$265.50	11 lbs.	34 x 14 x 14
CS-32-S-16	32" x 16"	\$283.50	15 lbs.	34 x 18 x 14
CS-36-S-12	36" x 12"	\$283.50	14 lbs.	38 x 14 x 14
CS-36-S-16	36" x 16"	\$319.50	18 lbs.	38 x 18 x 14
CS-48-S-12	48" x 12"	\$345.00	18 lbs.	50 x 14 x 14
CS-48-S-16	48" x 16"	\$408.75	22 lbs.	50 x 18 x 14

ADJUSTABLE GRADUATED CYLINDER RACKING SYSTEMS

-DLX GRADUATED CYLINDER RACK FOR CARBOY SHELVES (ABOVE)

SHELF LENGTH	NO. OF CHANNEL BRACKETS	RETAIL PRICE
18"	5	\$69.00
20"	6	\$69.00
24"	6	\$85.50
30"	7	\$102.00
32"	7	\$102.00
36"	7	\$118.50
48"	9	\$169.50

*Add the suffix "-DLX" to your desired shelf to receive these accessories.

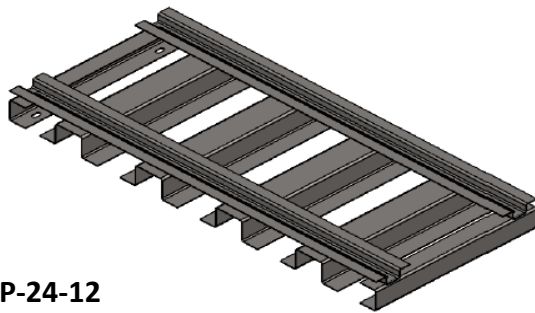
ADJUSTABLE RACKING SYSTEM KIT FOR EXISTING ACRYLIC, EPOXY, OR WOOD SHELVING

12" DEEP SHELVING

MODEL NO.	WIDTH	NO. OF CHANNEL BRACKETS	RETAIL PRICE	SHIPPING WT.	SHIPPING DIM.
XP-18-12	18"	5	\$134.25	4 lbs.	20 x 14 x 7
XP-20-12	20"	6	\$150.00	5 lbs.	22 x 14 x 7
XP-24-12	24"	6	\$161.25	6 lbs.	26 x 14 x 7
XP-30-12	30"	7	\$187.50	7 lbs.	32 x 14 x 7
XP-32-12	32"	7	\$209.25	7 lbs.	34 x 14 x 7
XP-36-12	36"	7	\$214.50	8 lbs.	38 x 14 x 7
XP-48-12	48"	9	\$312.00	9 lbs.	50 x 14 x 7

16" DEEP SHELVING

MODEL NO.	WIDTH	NO. OF CHANNEL BRACKETS	RETAIL PRICE	SHIPPING WT.	SHIPPING DIM.
XP-18-16	18"	5	\$144.00	4 lbs.	20 x 20 x 7
XP-20-16	20"	6	\$160.13	5 lbs.	22 x 20 x 7
XP-24-16	24"	6	\$173.63	6 lbs.	26 x 20 x 7
XP-30-16	30"	7	\$202.13	7 lbs.	32 x 20 x 7
XP-32-16	32"	7	\$224.25	7 lbs.	34 x 20 x 7
XP-36-16	36"	7	\$231.75	8 lbs.	38 x 20 x 7
XP-48-16	48"	9	\$336.75	9 lbs.	50 x 20 x 7



XP-24-12

REAGENT RACK UPRIGHTS

REAGENT RACK UPRIGHTS

MODEL NO.	DIMENSIONS	RETAIL PRICE
RRU-12	12"L x 1"D	\$34.50
RRU-16	16"L x 1"D	\$36.75
RRU-18	18"L x 1"D	\$39.00

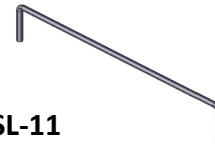


RRU-12

SEISMIC LIPS

STAINLESS STEEL SEISMIC LIPS - 0.25" Diameter Rod

MODEL NO.	LENGTH (OC)	HEIGHT	RETAIL PRICE
SL-11	11"	2"	\$9.98
SL-14	14"	2"	\$10.65
SL-15	15"	2"	\$10.88
SL-11-DT	11"	2"	\$21.23
SL-14-DT	14"	2"	\$21.90
SL-15-DT	15"	2"	\$22.13



SL-11

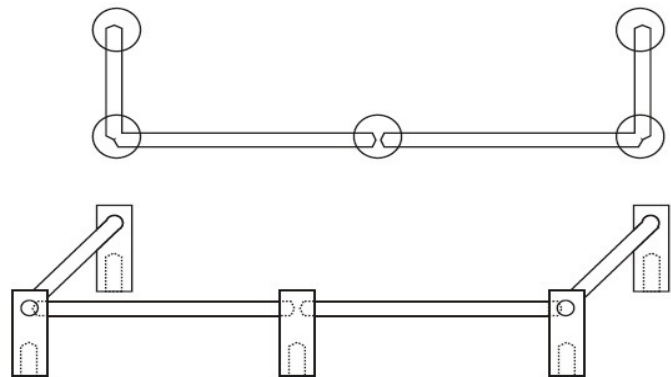
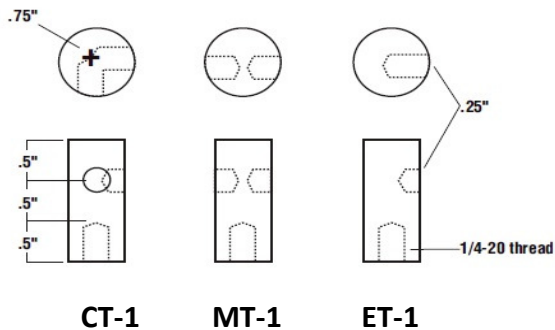
STAINLESS STEEL SEISMIC LIPS - 0.375" Diameter Rod

MODEL NO.	LENGTH (OC)	HEIGHT	RETAIL PRICE
SL-11-0.375	11"	2"	\$12.62
SL-14-0.375	14"	2"	\$14.01
SL-15-0.375	15"	2"	\$14.48
SL-11-0.375-DT	11"	2"	\$23.87
SL-14-0.375-DT	14"	2"	\$25.26
SL-15-0.375-DT	15"	2"	\$25.73

TURRETS

MODEL NO.	DESCRIPTION	RETAIL PRICE
MT-1	Middle Turret	\$11.25
CT-1	Corner Turret	\$11.25
ET-1	End Turret	\$11.25
SR-??	Rod for Turrets- 0.25"Dia (per Inch)	\$0.23
SR-??-0.375	Rod for Turrets- 0.375"Dia (per Inch)	\$0.47
-1B	per Leg Bend	\$3.75

* ?? Is length of rod
 Example - SR-12-1B - Seismic Rod, 12" long x 0.25" Dia. with a bend on one end
 *DT = Drilled and Tapped



STAINLESS STEEL WALL SHELVING

WALL SHELVES: 12" DEEP

MODEL NO.	DIMENSIONS	RETAIL PRICE
WS-1812	18"W x 12"D	\$59.25
WS-2412	24"W x 12"D	\$69.00
WS-3012	30"W x 12"D	\$81.00
WS-3612	36"W x 12"D	\$92.25
WS-4812	48"W x 12"D	\$112.50
WS-6012	60"W x 12"D	\$118.50
WS-7212	72"W x 12"D	\$138.75

WALL SHELVES: 16" DEEP

MODEL NO.	DIMENSIONS	RETAIL PRICE
WS-1816	18"W x 16"D	\$72.00
WS-2416	24"W x 16"D	\$86.25
WS-3016	30"W x 16"D	\$95.25
WS-3616	36"W x 16"D	\$109.50
WS-4816	48"W x 16"D	\$138.75
WS-6016	60"W x 16"D	\$143.63
WS-7216	72"W x 16"D	\$168.75

STAINLESS STEEL WALL SHELVING w/ WRAP AROUND

WALL SHELVES WITH WRAP AROUND: 12" DEEP

MODEL NO.	DIMENSIONS	RETAIL PRICE
WS-1812-WA	18"W x 12"D	\$106.50
WS-2412-WA	24"W x 12"D	\$123.00
WS-3012-WA	30"W x 12"D	\$137.25
WS-3612-WA	36"W x 12"D	\$150.00
WS-4812-WA	48"W x 12"D	\$174.38
WS-6012-WA	60"W x 12"D	\$199.50
WS-7212-WA	72"W x 12"D	\$224.63

WALL SHELVES WITH WRAP AROUND: 16" DEEP

MODEL NO.	DIMENSIONS	RETAIL PRICE
WS-1816-WA	18"W x 16"D	\$126.38
WS-2416-WA	24"W x 16"D	\$142.88
WS-3016-WA	30"W x 16"D	\$154.13
WS-3616-WA	36"W x 16"D	\$170.25
WS-4816-WA	48"W x 16"D	\$218.63
WS-6016-WA	60"W x 16"D	\$227.25
WS-7216-WA	72"W x 16"D	\$257.63

STAINLESS STEEL WALL SHELVING w/ SEISMIC LIPS

WALL SHELVES WITH SEISMIC LIP: 12" DEEP

MODEL NO.	DIMENSIONS	RETAIL PRICE
WS-1812-SL	18"W x 12"D	\$100.50
WS-2412-SL	24"W x 12"D	\$121.50
WS-3012-SL	30"W x 12"D	\$135.75
WS-3612-SL	36"W x 12"D	\$158.25
WS-4812-SL	48"W x 12"D	\$181.50
WA-6012-SL	60"W x 12"D	\$202.13
WS-7212-SL	72"W x 12"D	\$224.63

WALL SHELVES WITH SEISMIC LIP: 16" DEEP

MODEL NO.	DIMENSIONS	RETAIL PRICE
WS-1816-SL	18"W x 16"D	\$114.75
WS-2416-SL	24"W x 16"D	\$141.00
WS-3016-SL	30"W x 16"D	\$151.88
WS-3616-SL	36"W x 16"D	\$177.38
WS-4816-SL	48"W x 16"D	\$210.00
WS-6016-SL	60"W x 16"D	\$228.00
WS-7216-SL	72"W x 16"D	\$266.25

STAINLESS STEEL ADJUSTABLE STANDARDS

SINGLE SLOT ADJUSTABLE STANDARD

MODEL NO.	LENGTH	RETAIL PRICE
SS-1.5FT	18"	\$16.50
SS-2FT	24"	\$18.38
SS-2.5FT	30"	\$20.25
SS-3FT	36"	\$22.50
SS-3.5FT	42"	\$24.38
SS-4FT	48"	\$29.63

DOUBLE SLOT ADJUSTABLE STANDARD

MODEL NO.	LENGTH	RETAIL PRICE
SSD-1.5FT	18"	\$28.13
SSD-2FT	24"	\$33.00
SSD-2.5FT	30"	\$36.75
SSD-3FT	36"	\$40.50
SSD-3.5FT	42"	\$43.13
SSD-4FT	48"	\$56.25

STAINLESS STEEL ADJUSTABLE STANDARD BRACKETS

SINGLE SLOT BRACKET

MODEL NO.	DESCRIPTION	RETAIL PRICE
SB-12-L	12"L, LEFT HAND	\$16.50
SB-12-R	12"L, RIGHT HAND	\$16.50
SB-16-L	16"L, LEFT HAND	\$21.00
SB-16-R	16"L, RIGHT HAND	\$21.00
SB-18-L	18"L, LEFT HAND	\$26.63
SB-18-R	18"L, RIGHT HAND	\$26.63

DOUBLE SLOT BRACKET

MODEL NO.	LENGTH	RETAIL PRICE
SBD-12	12"	\$24.38
SBD-16	16"	\$30.75
SBD-18	18"	\$35.63

BOOKEND BRACKET

MODEL NO.	DESCRIPTION	RETAIL PRICE
SBB-12-L	12"L, LEFT HAND	\$26.63
SBB-12-R	12"L, RIGHT HAND	\$26.63
SBB-16-L	16"L, LEFT HAND	\$32.25
SBB-16-R	16"L, RIGHT HAND	\$32.25
SBB-18-L	18"L, LEFT HAND	\$37.88
SBB-18-R	18"L, RIGHT HAND	\$37.88

STAINLESS STEEL WALL BRACKETS

WALL MOUNT BRACKET

MODEL NO.	DESCRIPTION	RETAIL PRICE
WMB-12-L/H	12"L, LEFT HAND	\$21.00
WMB-12-R/H	12"L, RIGHT HAND	\$21.00
WMB-16-L/H	16"L, LEFT HAND	\$25.88
WMB-16-R/H	16"L, RIGHT HAND	\$25.88
WMB-18-L/H	18"L, LEFT HAND	\$31.13
WMB-18-R/H	18"L, RIGHT HAND	\$31.13



HEAVY DUTY STAINLESS STEEL ADJUSTABLE STANDARDS - 12GA

WALL MOUNT SINGLE SLOT STANDARD

MODEL NO.	LENGTH	RETAIL PRICE
HD-SS-1.5FT	18"	\$20.25
HD-SS-2FT	24"	\$22.50
HD-SS-2.5FT	30"	\$26.63
HD-SS-3FT	36"	\$30.75
HD-SS-3.5FT	42"	\$32.25
HD-SS-4FT	48"	\$42.00

WALL MOUNT DOUBLE SLOT STANDARD

MODEL NO.	LENGTH	RETAIL PRICE
HD-SSD-1.5FT	18"	\$33.00
HD-SSD-2FT	24"	\$37.50
HD-SSD-2.5FT	30"	\$44.25
HD-SSD-3FT	36"	\$51.75
HD-SSD-3.5FT	42"	\$53.25
HD-SSD-4FT	48"	\$71.63

HEAVY DUTY STAINLESS STEEL ADJUSTABLE STANDARD BRACKETS - 12GA

SINGLE SLOT BRACKET

MODEL NO.	DESCRIPTION	RETAIL PRICE
HD-SB-12-L	12"L, LEFT HAND	\$19.88
HD-SB-12-R	12"L, RIGHT HAND	\$19.88
HD-SB-16-L	16"L, LEFT HAND	\$24.75
HD-SB-16-R	16"L, RIGHT HAND	\$24.75
HD-SB-18-L	18"L, LEFT HAND	\$31.50
HD-SB-18-R	18"L, RIGHT HAND	\$31.50

DOUBLE SLOT BRACKET

MODEL NO.	DIMENSIONS	RETAIL PRICE
HD-SBD-12	12"	\$35.25
HD-SBD-16	16"	\$45.38
HD-SBD-18	18"	\$51.00

BOOKEND BRACKET

MODEL NO.	DESCRIPTION	RETAIL PRICE
HD-SBB-12-L	12"L, LEFT HAND	\$34.50
HD-SBB-12-R	12"L, RIGHT HAND	\$34.50
HD-SBB-16-L	16"L, LEFT HAND	\$42.00
HD-SBB-16-R	16"L, RIGHT HAND	\$42.00
HD-SBB-18-L	18"L, LEFT HAND	\$49.50
HD-SBB-18-R	18"L, RIGHT HAND	\$49.50

HEAVY DUTY STAINLESS STEEL WALL BRACKETS - 12GA

WALL MOUNT BRACKET

MODEL NO.	DESCRIPTION	RETAIL PRICE
HD-WMB-12-L/H	12"L, LEFT HAND	\$33.00
HD-WMB-12-R/H	12"L, RIGHT HAND	\$33.00
HD-WMB-16-L/H	16"L, LEFT HAND	\$39.00
HD-WMB-16-R/H	16"L, RIGHT HAND	\$39.00
HD-WMB-18-L/H	18"L, LEFT HAND	\$44.63
HD-WMB-18-R/H	18"L, RIGHT HAND	\$44.63

PAINTED WALL SHELVING

PAINTED WALL SHELVES 12" DEEP

MODEL NO.	DIMENSIONS	RETAIL PRICE
WSP-1812	18"w x 12"d	\$59.25
WSP-2412	24"w x 12"d	\$69.00
WSP-3012	30"w x 12"d	\$81.00
WSP-3612	36"w x 12"d	\$92.25
WSP-4812	48"w x 12"d	\$112.50
WSP-6012	60"w x 12"d	\$118.50
WSP-7212	72"w x 12"d	\$138.75

PAINTED WALL SHELVES 16" DEEP

MODEL NO.	DIMENSIONS	RETAIL PRICE
WSP-1816	18"w x 16"d	\$72.00
WSP-2416	24"w x 16"d	\$86.25
WSP-3016	30"w x 16"d	\$95.25
WSP-3616	36"w x 16"d	\$109.50
WSP-4816	48"w x 16"d	\$138.75
WSP-6016	60"w x 16"d	\$143.63
WSP-7216	72"w x 16"d	\$168.75

PAINTED WALL SHELVES WITH SEISMIC LIP 12" DEEP

MODEL NO.	DIMENSIONS	RETAIL PRICE
WSP-1812-SL	18"w x 12"d	\$100.50
WSP-2412-SL	24"w x 12"d	\$121.50
WSP-3012-SL	30"w x 12"d	\$135.75
WSP-3612-SL	36"w x 12"d	\$158.25
WSP-4812-SL	48"w x 12"d	\$181.50
WSP-6012-SL	60"w x 12"d	\$202.13
WSP-7212-SL	72"w x 12"d	\$224.63

PAINTED WALL SHELVES WITH SEISMIC LIP 16" DEEP

MODEL NO.	DIMENSIONS	RETAIL PRICE
WSP-1816-SL	18"w x 16"d	\$114.75
WSP-2416-SL	24"w x 16"d	\$141.00
WSP-3016-SL	30"w x 16"d	\$151.88
WSP-3616-SL	36"w x 16"d	\$177.38
WSP-4816-SL	48"w x 16"d	\$210.00
WSP-6016-SL	60"w x 16"d	\$228.00
WSP-7216-SL	72"w x 16"d	\$266.25

PAINTED ADJUSTABLE STANDARDS

WALL MOUNT SINGLE SLOT STANDARD

MODEL NO.	LENGTH	RETAIL PRICE
SSP-1.5FT	18"	\$16.50
SSP-2FT	24"	\$18.38
SSP-2.5FT	30"	\$20.25
SSP-3FT	36"	\$22.50
SSP-3.5FT	42"	\$24.38
SSP-4FT	48"	\$29.63

WALL MOUNT DOUBLE SLOT STANDARD

MODEL NO.	LENGTH	RETAIL PRICE
SDDP-1.5FT	18"	\$28.13
SDDP-2FT	24"	\$33.00
SDDP-2.5FT	30"	\$36.75
SDDP-3FT	36"	\$40.50
SDDP-3.5FT	42"	\$43.13
SDDP-4FT	48"	\$56.25

PAINTED ADJUSTABLE STANDARD BRACKETS

SINGLE SLOT BRACKET

MODEL NO.	DESCRIPTION	RETAIL PRICE
SBP-12-L	12"L, LEFT HAND	\$16.50
SBP-12-R	12"L, RIGHT HAND	\$16.50
SBP-16-L	16"L, LEFT HAND	\$21.00
SBP-16-R	16"L, RIGHT HAND	\$21.00
SBP-18-L	18"L, LEFT HAND	\$26.63
SBP-18-R	18"L, RIGHT HAND	\$26.63

DOUBLE SLOT BRACKET

MODEL NO.	DIMENSIONS	RETAIL PRICE
SBDP-12	12"	\$24.38
SBDP-16	16"	\$30.75
SBDP-18	18"	\$35.63

BOOKEND BRACKET

MODEL NO.	DESCRIPTION	RETAIL PRICE
SBBP-12-L	12"L, LEFT HAND	\$26.63
SBBP-12-R	12"L, RIGHT HAND	\$26.63
SBBP-16-L	16"L, LEFT HAND	\$32.25
SBBP-16-R	16"L, RIGHT HAND	\$32.25
SBBP-18-L	18"L, LEFT HAND	\$37.88
SBBP-18-R	18"L, RIGHT HAND	\$37.88

WALL MOUNT BRACKET

MODEL NO.	DESCRIPTION	RETAIL PRICE
WMBP-12-L/H	12"L, LEFT HAND	\$21.00
WMBP-12-R/H	12"L, RIGHT HAND	\$21.00
WMBP-16-L/H	16"L, LEFT HAND	\$25.88
WMBP-16-R/H	16"L, RIGHT HAND	\$25.88
WMBP-18-L/H	18"L, LEFT HAND	\$31.13
WMBP-18-R/H	18"L, RIGHT HAND	\$31.13

HEAVY DUTY PAINTED ADJUSTABLE STANDARDS - 12GA

WALL MOUNT SINGLE SLOT STANDARD

MODEL NO.	LENGTH	RETAIL PRICE
HD-SSP-1.5FT	18"	\$20.25
HD-SSP-2FT	24"	\$22.50
HD-SSP-2.5FT	30"	\$26.63
HD-SSP-3FT	36"	\$30.75
HD-SSP-3.5FT	42"	\$32.25
HD-SSP-4FT	48"	\$42.00

WALL MOUNT DOUBLE SLOT STANDARD

MODEL NO.	LENGTH	RETAIL PRICE
HD-SSDP-1.5FT	18"	\$33.00
HD-SSDP-2FT	24"	\$37.50
HD-SSDP-2.5FT	30"	\$44.25
HD-SSDP-3FT	36"	\$51.75
HD-SSDP-3.5FT	42"	\$53.25
HD-SSDP-4FT	48"	\$71.63

HEAVY DUTY PAINTED ADJUSTABLE STANDARD BRACKETS - 12GA

SINGLE SLOT BRACKET

MODEL NO.	DESCRIPTION	RETAIL PRICE
HD-SBP-12-L	12"L, LEFT HAND	\$19.88
HD-SBP-12-R	12"L, RIGHT HAND	\$19.88
HD-SBP-16-L	16"L, LEFT HAND	\$24.75
HD-SBP-16-R	16"L, RIGHT HAND	\$24.75
HD-SBP-18-L	18"L, LEFT HAND	\$31.50
HD-SBP-18-R	18"L, RIGHT HAND	\$31.50

DOUBLE SLOT BRACKET

MODEL NO.	DESCRIPTION	RETAIL PRICE
HD-SBDP-12	12"L	\$35.25
HD-SBDP-16	16"L	\$45.38
HD-SBDP-18	18"L	\$51.00

BOOKEND BRACKET

MODEL NO.	DESCRIPTION	RETAIL PRICE
HD-SBBP-12-L	12"L, LEFT HAND	\$34.50
HD-SBBP-12-R	12"L, RIGHT HAND	\$34.50
HD-SBBP-16-L	16"L, LEFT HAND	\$42.00
HD-SBBP-16-R	16"L, RIGHT HAND	\$42.00
HD-SBBP-18-L	18"L, LEFT HAND	\$49.50
HD-SBBP-18-R	18"L, RIGHT HAND	\$49.50

WALL MOUNT BRACKET

MODEL NO.	DESCRIPTION	RETAIL PRICE
HD-WMBP-12-L/H	12"L, LEFT HAND	\$33.00
HD-WMBP-12-R/H	12"L, RIGHT HAND	\$33.00
HD-WMBP-16-L/H	16"L, LEFT HAND	\$39.00
HD-WMBP-16-R/H	16"L, RIGHT HAND	\$39.00
HD-WMBP-18-L/H	18"L, LEFT HAND	\$44.63
HD-WMBP-18-R/H	18"L, RIGHT HAND	\$44.63

DISCOVERY SHELVING

Posts and shelf brackets are all constructed from 14 gauge material. Stringers are constructed from 16 gauge material

POSTS

MODEL NO.	DESCRIPTION	RETAIL PRICE
DP-48	Painted steel 48" high table top post	\$335.63
DPS-48	Stainless steel 48" high table top post	\$335.63
DP-84	Painted steel 84" high table top post	\$376.13
DPS-84	Stainless steel 84" high table top post	\$376.13

Each post comes with a mounting bracket for either floor (84" post) or counter top (48" post) application.

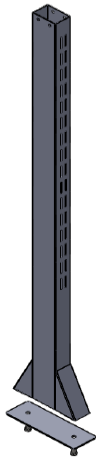
STRINGERS

MODEL NO.	DESCRIPTION	RETAIL PRICE
DS-28	Painted steel 28.75" wide stringer	\$39.00
DSS-28	Stainless steel 28.75" wide stringer	\$39.00
DS-34	Painted steel 34.75" wide stringer	\$42.00
DSS-34	Stainless steel 34.75" wide stringer	\$42.00
DS-46	Painted steel 46.75" wide stringer	\$51.75
DSS-46	Stainless steel 46.75" wide stringer	\$51.75

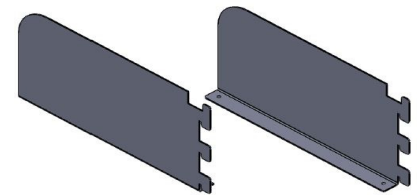
* Stringer should be 1.25" less in length than shelf.

SHELF BRACKETS

MODEL NO.	DESCRIPTION	RETAIL PRICE
DB-12L	Painted 12" left bracket	\$27.38
DB-12R	Painted 12" right bracket	\$27.38
DB-16L	Painted 16" left bracket	\$43.13
DB-16R	Painted 16" right bracket	\$43.13
DBS-12L	Stainless steel 12" left bracket	\$27.38
DBS-12R	Stainless steel 12" right bracket	\$27.38
DBS-16L	Stainless steel 16" left bracket	\$43.13
DBS-16R	Stainless steel 16" right bracket	\$43.13



DPS-48



DBS-12R

DBS-12L

NAR- LOCK NARCOTIC CABINETS

DOUBLE KEY LOCK CABINET

MODEL NO.	DIMENSIONS	RETAIL PRICE
NL-2K	12"H x 13"W x 10"D	\$589.50
NL-2K-D	12"H x 21"W x 10"D	\$850.50

INNER & OUTER DOOR CABINET, EACH WITH CYLINDER LOCKS

MODEL NO.	DIMENSIONS	RETAIL PRICE
NL-681	24"H x 16"W x 8"D	\$1,162.50
MC-10-30	30"H x 18"W x 12"D	\$1,491.75
NL-501	9"H x 8"W x 5 5/8"D	\$570.00
NL-651	15"H x 11"W x 8"D	\$885.00

CABINET OPTIONS

MODEL NO.	DESCRIPTION	RETAIL PRICE
IL-1	Interior/Remote Warning Light	\$37.50
KEY	Extra set of keys	\$15.00
LOCK	Replacement Lock	\$67.50

MED-LOCK DRAWER UNIT

MODEL NO.	DIMENSIONS	RETAIL PRICE
DR-12	4"H x 12"W x 12"D	\$409.50
LOCK-DR-12	Replacement Lock	\$93.75

TURNTABLE SPECIMEN PASS BOX

MODEL NO.	DIMENSIONS	RETAIL PRICE
0515	15 1/2"H x 14 3/4"W x 7"D	\$1,036.50

Wall opening: 14"H x 13 1/4"W (Thickness: 3.375" - 7.0")

TWO DOOR SPECIMEN PASS THRU BOX

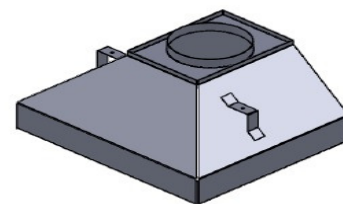
MODEL NO.	DIMENSIONS	RETAIL PRICE
8154	12 3/4"H x 13 1/4"W x 6"D	\$496.50

Wall opening: 11 1/2"H x 11"W (Thickness: 1.75" - 5.5")

STAINLESS STEEL CANOPY HOODS

ISLAND CANOPY HOODS

MODEL NO.	SIZE (L x D x H)	RETAIL PRICE
ICH-3630-30	36 x 30 x 30	\$1,912.50
ICH-4830-30	48 x 30 x 30	\$2,553.75
ICH-6030-30	60 x 30 x 30	\$3,195.00
ICH-7230-30	72 x 30 x 30	\$3,825.00
ICH-9630-30	96 x 30 x 30	\$5,100.00



WCH-3630-30

WALL CANOPY HOODS

MODEL NO.	SIZE (L x D x H)	RETAIL PRICE
WCH-3630-30	36 x 30 x 30	\$1,912.50
WCH-4830-30	48 x 30 x 30	\$2,553.75
WCH-6030-30	60 x 30 x 30	\$3,195.00
WCH-7230-30	72 x 30 x 30	\$3,825.00
WCH-9630-30	96 x 30 x 30	\$5,100.00

CUSTOM STAINLESS STEEL TABLE TOPS

STAINLESS STEEL TABLE TOPS

MODEL NO.	SIZE (L x W x T)	RETAIL PRICE
SCT-3024-1	30 x 24 x 1	\$405.00
SCT-3030-1	30 x 30 x 1	\$427.50
SCT-3624-1	36 x 24 x 1	\$405.00
SCT-3630-1	36 x 30 x 1	\$427.50
SCT-3636-1	36 x 36 x 1	\$450.00
SCT-4224-1	42 x 24 x 1	\$450.00
SCT-4230-1	42 x 30 x 1	\$472.50
SCT-4236-1	42 x 36 x 1	\$495.00
SCT-4824-1	48 x 24 x 1	\$480.00
SCT-4830-1	48 x 30 x 1	\$510.00
SCT-4836-1	48 x 36 x 1	\$540.00
SCT-5424-1	54 x 24 x 1	\$543.00
SCT-5430-1	54 x 30 x 1	\$574.50
SCT-5436-1	54 x 36 x 1	\$612.00
SCT-6024-1	60 x 24 x 1	\$600.00
SCT-6030-1	60 x 30 x 1	\$637.50
SCT-6036-1	60 x 36 x 1	\$675.00
SCT-6624-1	66 x 24 x 1	\$660.00
SCT-6630-1	66 x 30 x 1	\$701.25
SCT-6636-1	66 x 36 x 1	\$742.50
SCT-7224-1	72 x 24 x 1	\$720.00
SCT-7230-1	72 x 30 x 1	\$765.00
SCT-7236-1	72 x 36 x 1	\$810.00
SCT-8424-1	84 x 24 x 1	\$840.00
SCT-8430-1	84 x 30 x 1	\$892.50
SCT-8436-1	84 x 36 x 1	\$945.00
SCT-9624-1	96 x 24 x 1	\$960.00
SCT-9630-1	96 x 30 x 1	\$1,020.00
SCT-9636-1	96 x 36 x 1	\$1,080.00

CUSTOM STAINLESS STEEL TABLE FRAMES

STAINLESS STEEL TABLE FRAMES 36" HIGH

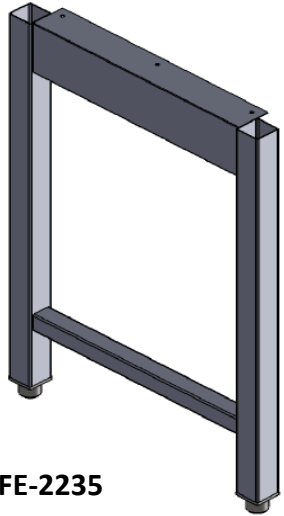
MODEL NO.	SIZE (L x D)	RETAIL PRICE
STF-3624-36	34 x 22	\$777.00
STF-3630-36	34 x 28	\$792.00
STF-3636-36	34 x 34	\$808.50
STF-4824-36	46 x 22	\$783.00
STF-4830-36	46 x 28	\$798.00
STF-4836-36	46 x 34	\$814.50
STF-5424-36	52 x 22	\$786.00
STF-5430-36	52 x 28	\$801.00
STF-5436-36	52 x 34	\$817.50
STF-6024-36	58 x 22	\$789.00
STF-6030-36	58 x 28	\$804.00
STF-6036-36	58 x 34	\$820.50
STF-6624-36	64 x 22	\$792.00
STF-6630-36	64 x 28	\$807.00
STF-6636-36	64 x 34	\$823.50
STF-7224-36	70 x 22	\$795.00
STF-7230-36	70 x 28	\$810.00
STF-7236-36	70 x 34	\$826.50
STF-8424-36	82 x 22	\$801.00
STF-8430-36	82 x 28	\$816.00
STF-8436-36	82 x 34	\$832.50
STF-9624-36	94 x 22	\$807.00
STF-9630-36	94 x 28	\$822.00
STF-9636-36	94 x 34	\$838.50

STAINLESS STEEL TABLE FRAMES 30" HIGH

MODEL NO.	SIZE (L x D)	RETAIL PRICE
STF-3624-30	34 x 22	\$759.00
STF-3630-30	34 x 28	\$774.00
STF-3636-30	34 x 34	\$816.00
STF-4824-30	46 x 22	\$765.00
STF-4830-30	46 x 28	\$780.00
STF-4836-30	46 x 34	\$822.00
STF-5424-30	52 x 22	\$768.00
STF-5430-30	52 x 28	\$783.00
STF-5436-30	52 x 34	\$825.00
STF-6024-30	58 x 22	\$771.00
STF-6030-30	58 x 28	\$786.00
STF-6036-30	58 x 34	\$828.00
STF-6624-30	64 x 22	\$774.00
STF-6630-30	64 x 28	\$789.00
STF-6636-30	64 x 34	\$831.00
STF-7224-30	70 x 22	\$777.00
STF-7230-30	70 x 28	\$792.00
STF-7236-30	70 x 34	\$834.00
STF-8424-30	82 x 22	\$783.00
STF-8430-30	82 x 28	\$798.00
STF-8436-30	82 x 34	\$840.00
STF-9624-30	94 x 22	\$789.00
STF-9630-30	94 x 28	\$804.00
STF-9636-30	94 x 34	\$846.00

STAINLESS STEEL TABLE FRAME ENDS

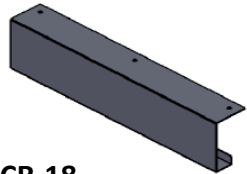
MODEL NO.	SIZE (W x H)	RETAIL PRICE
FE-2229	22 x 29	\$352.50
FE-2829	28 x 29	\$360.00
FE-3429	34 x 29	\$381.00
FE-2235	22 x 35	\$361.50
FE-2835	28 x 35	\$369.00
FE-3435	34 x 35	\$377.25



FE-2235

STAINLESS STEEL TABLE FRAME RAILS

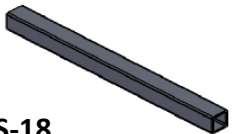
MODEL NO.	SIZE (W x H)	RETAIL PRICE
CR-18	18 x 4	\$127.50
CR-24	24 x 4	\$132.00
CR-30	30 x 4	\$136.50
CR-36	36 x 4	\$141.75
CR-42	42 x 4	\$147.00
CR-48	48 x 4	\$151.50
CR-54	54 x 4	\$156.00
CR-60	60 x 4	\$161.25
CR-66	66 x 4	\$165.75
CR-72	72 x 4	\$171.00
CR-78	78 x 4	\$175.50
CR-84	84 x 4	\$180.00
CR-90	90 x 4	\$185.25
CR-96	96 x 4	\$190.13
CR-102	102 x 4	\$195.00



CR-18

STAINLESS STEEL TABLE FRAME LOWER CROSS STRETCHER

MODEL NO.	SIZE (L)	RETAIL PRICE
S-18	18	\$50.25
S-24	24	\$53.25
S-30	30	\$54.00
S-36	36	\$57.00
S-42	42	\$60.00
S-48	48	\$63.00
S-54	54	\$66.00
S-60	60	\$69.00
S-66	66	\$72.00
S-72	72	\$75.00
S-78	78	\$78.00
S-84	84	\$81.00
S-90	90	\$84.00
S-96	96	\$87.00



S-18

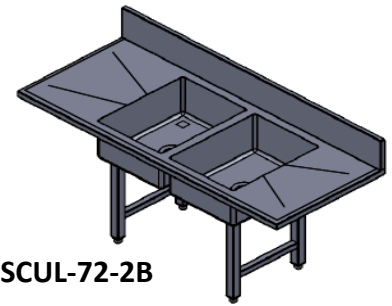
STAINLESS STEEL TABLE FRAME OPTIONS

DESCRIPTION	RETAIL PRICE
* For Adjustable Height Legs please add "AHL" to part number suffix (per leg)	\$135.00
* For Lockable Casters please add "CA" to part number suffix (per each)	\$22.50
* For a Drawer please add "DW" to part number suffix	Call for Pricing
* For Double Drawer please add "DBL-DW" to part number suffix	Call for Pricing

STAINLESS STEEL SCULLERY SINK

STAINLESS STEEL - 36" HIGH

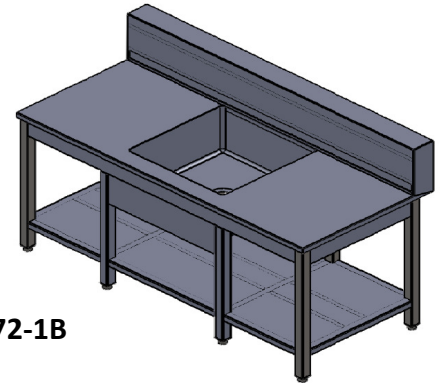
MODEL NO.	SIZE (L x D)	SINK BOWLS	RETAIL PRICE
SCUL-72-1B	72 x 30	1	\$1,950.00
SCUL-72-2B	72 x 30	2	\$2,550.00
SCUL-96-2B	96 x 30	2	\$2,850.00
SCUL-96-3B	96 x 30	3	\$3,450.00



SCUL-72-2B

STAINLESS STEEL - 36" HIGH

MODEL NO.	SIZE (L x D)	SINK BOWLS	RETAIL PRICE
RFDS-72-1B	72 x 33	1	\$2,970.00
RFDS-72-2B	72 x 33	2	\$3,570.00
RFDS-96-2B	96 x 33	2	\$4,365.00
RFDS-96-3B	96 x 33	3	\$4,965.00
RFDS-120-2B	120 x 33	2	\$5,115.00
RFDS-120-3B	120 x 33	3	\$5,715.00



RFDS-72-1B

STAINLESS STEEL END PEDESTALS

STAINLESS STEEL END PEDESTALS

MODEL NO.	SIZE (W x T x H)	RETAIL PRICE
SEP-2102-32	21.375 x 2 x 31.75	\$532.50
SEP-2102-35	21.375 x 2 x 34.75	\$543.00
SEP-2702-32	27.375 x 2 x 31.75	\$552.00
SEP-2702-35	27.375 x 2 x 34.75	\$567.00

STAINLESS STEEL SINGLE LEG w/ PLATE

STAINLESS STEEL SINGLE LEG w/ PLATE

MODEL NO.	SIZE (W x T x H)	RETAIL PRICE
SSL-32	2 x 2 x 31.75	\$108.00
SSL-35	2 x 2 x 34.75	\$112.50

STAINLESS STEEL COUNTERTOP BRACKETS

STAINLESS STEEL COUNTERTOP BRACKETS

MODEL NO.	SIZE (W x H)	RETAIL PRICE
CTB-24	23.75 x 18	\$532.50
CTB-25	24.75 x 18	\$543.00
CTB-30	29.75 x 18	\$552.00

STAINLESS STEEL WALL CABINETS

STAINLESS STEEL WALL CABINETS

MODEL NO.	SIZE (W x H x D)	RETAIL PRICE
SWC-1824	18 x 24 x 13	\$1,215.00
SWC-2424	24 x 24 x 13	\$1,303.50
SWC-3024	30 x 24 x 13	\$1,416.00
SWC-3624	36 x 24 x 13	\$1,557.00
SWC-4224	42 x 24 x 13	\$1,728.00
SWC-4824	48 x 24 x 13	\$1,906.50
SWC-1830	18 x 30 x 13	\$1,215.00
SWC-2430	24 x 30 x 13	\$1,303.50
SWC-3030	30 x 30 x 13	\$1,416.00
SWC-3630	36 x 30 x 13	\$1,557.00
SWC-4230	42 x 30 x 13	\$1,728.00
SWC-4830	48 x 30 x 13	\$1,906.50

* For Framed Glass Doors, add "-GD" to part number. Add 10% to cost.

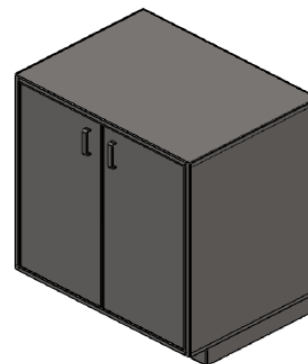
STAINLESS STEEL WALL CABINETS - OPEN FACE

MODEL NO.	SIZE (W x H x D)	RETAIL PRICE
SWC-1824-OF	18 x 24 x 13	\$858.00
SWC-2424-OF	24 x 24 x 13	\$888.00
SWC-3024-OF	30 x 24 x 13	\$960.00
SWC-3624-OF	36 x 24 x 13	\$987.00
SWC-4224-OF	42 x 24 x 13	\$1,059.00
SWC-4824-OF	48 x 24 x 13	\$1,125.00
SWC-1830-OF	18 x 30 x 13	\$858.00
SWC-2430-OF	24 x 30 x 13	\$888.00
SWC-3030-OF	30 x 30 x 13	\$960.00
SWC-3630-OF	36 x 30 x 13	\$987.00
SWC-4230-OF	42 x 30 x 13	\$1,059.00
SWC-4830-OF	48 x 30 x 13	\$1,125.00

STAINLESS STEEL BASE CABINETS

STAINLESS STEEL BASE CABINETS - 2 DOOR

MODEL NO.	SIZE (W x H x D)	RETAIL PRICE
SBC-1832	18 x 31.75 x 21.375	\$1,234.50
SBC-2432	24 x 31.75 x 21.375	\$1,297.50
SBC-3032	30 x 31.75 x 21.375	\$1,374.00
SBC-3632	36 x 31.75 x 21.375	\$1,485.00
SBC-4232	42 x 31.75 x 21.375	\$1,702.50
SBC-4832	48 x 31.75 x 21.375	\$1,897.50
SBC-1835	18 x 34.75 x 21.375	\$1,234.50
SBC-2435	24 x 34.75 x 21.375	\$1,297.50
SBC-3035	30 x 34.75 x 21.375	\$1,374.00
SBC-3635	36 x 34.75 x 21.375	\$1,485.00
SBC-4235	42 x 34.75 x 21.375	\$1,702.50
SBC-4835	48 x 34.75 x 21.375	\$1,897.50



STAINLESS STEEL BASE CABINETS - DOOR / DRAWER COMBINATION

MODEL NO.	SIZE (W x H x D)	RETAIL PRICE
SBC-1832-1DW/1DR	18 x 31.75 x 21.375	\$1,422.00
SBC-2432-1DW/1DR	24 x 31.75 x 21.375	\$1,564.50
SBC-3032-2DW/2DR	30 x 31.75 x 21.375	\$1,909.50
SBC-3632-2DW/2DR	36 x 31.75 x 21.375	\$2,094.00
SBC-4232-2DW/2DR	42 x 31.75 x 21.375	\$2,334.00
SBC-4832-2DW/2DR	48 x 31.75 x 21.375	\$2,599.50
SBC-1835-1DW/1DR	18 x 34.75 x 21.375	\$1,422.00
SBC-2435-1DW/1DR	24 x 34.75 x 21.375	\$1,564.50
SBC-3035-2DW/2DR	30 x 34.75 x 21.375	\$1,909.50
SBC-3635-2DW/2DR	36 x 34.75 x 21.375	\$2,094.00
SBC-4235-2DW/2DR	42 x 34.75 x 21.375	\$2,334.00
SBC-4835-2DW/2DR	48 x 34.75 x 21.375	\$2,599.50

STAINLESS STEEL BASE CABINETS - 4 DRAWER

MODEL NO.	SIZE (W x H x D)	RETAIL PRICE
SBC-1832-4DW	18 x 31.75 x 21.375	\$1,643.25
SBC-2432-4DW	24 x 31.75 x 21.375	\$1,719.38
SBC-3032-4DW	30 x 31.75 x 21.375	\$1,732.50
SBC-3632-4DW	36 x 31.75 x 21.375	\$1,895.25
SBC-4232-4DW	42 x 31.75 x 21.375	\$2,262.75
SBC-4832-4DW	48 x 31.75 x 21.375	\$2,354.63
SBC-1835-4DW	18 x 34.75 x 21.375	\$1,643.25
SBC-2435-4DW	24 x 34.75 x 21.375	\$1,719.38
SBC-3035-4DW	30 x 34.75 x 21.375	\$1,732.50
SBC-3635-4DW	36 x 34.75 x 21.375	\$1,895.25
SBC-4235-4DW	42 x 34.75 x 21.375	\$2,262.75
SBC-4835-4DW	48 x 34.75 x 21.375	\$2,354.63

STAINLESS STEEL SINK BASE CABINETS

MODEL NO.	SIZE (W x H x D)	RETAIL PRICE
SSBC-3032	30 x 31.75 x 21.375	\$1,284.00
SSBC-3632	36 x 31.75 x 21.375	\$1,413.00
SSBC-4232	42 x 31.75 x 21.375	\$1,554.00
SSBC-4832	48 x 31.75 x 21.375	\$1,738.50
SSBC-6032	60 x 31.75 x 21.375	\$2,106.00
SSBC-3035	30 x 34.75 x 21.375	\$1,284.00
SSBC-3635	36 x 34.75 x 21.375	\$1,413.00
SSBC-4235	42 x 34.75 x 21.375	\$1,554.00
SSBC-4835	48 x 34.75 x 21.375	\$1,738.50
SSBC-6035	60 x 34.75 x 21.375	\$2,106.00

STAINLESS STEEL TALL CABINETS

STAINLESS STEEL TALL CABINETS

MODEL NO.	SIZE (W x H x D)	RETAIL PRICE
STC-1884	18 x 84 x 21	\$2,715.75
STC-2484	24 x 84 x 21	\$2,882.25
STC-3084	30 x 84 x 21	\$4,614.75
STC-3684	36 x 84 x 21	\$4,905.00
STC-4884	48 x 84 x 21	\$5,332.50

* For Framed Glass Doors, add "-GD" to part number. Add 20% to cost.

STAINLESS STEEL FILLER PANELS

STAINLESS STEEL FILLER PANELS

MODEL NO.	DESC	SIZE (W x H)	RETAIL PRICE
SRFP-0132	REAR FILLER	1 x 31.75	\$82.50
SFFP-0132	FRONT FILLER	1 x 31.75	\$112.50
SEFP-0132	END FILLER	1 x 31.75	\$82.50
SCFP-0132	CORNER FILLER	1 x 31.75	\$157.50
SRFP-0135	REAR FILLER	1 x 34.75	\$82.50
SFFP-0135	FRONT FILLER	1 x 34.75	\$112.50
SEFP-0135	END FILLER	1 x 34.75	\$82.50
SCFP-0135	CORNER FILLER	1 x 34.75	\$157.50

CUSTOM STAINLESS STEEL COUNTERTOPS

Our stainless countertops and tables are customized to suit your needs and are constructed from a type 304 stainless steel material, polished to a #4 finish. Type 316 stainless steel is available upon request, for an additional charge.

Countertops and tables are constructed from 16-gauge thick material and sink bowls from 14-gauge material.

Table frames are made using a 2" square tubular construction with adjustable bullet-type feet.

We supply integral back and end splashes, where required, at a standard height of 4 inches, however these can be manufactured at taller and shorter heights upon request. Edging options are either a flat traditional or raised marine edge with a 1/4" drop down. The standard substrate, in the form of a galvanized hat channel configuration, provides added strength and is sprayed with a heavy sound deadening compound, unless otherwise noted. All exposed edges are returned back to provide a safety edge and are used as hat channel locations. Countertops can be made up to 16 feet in length without the need for a field joint. Countertop wall mounting brackets are available for tops not exceeding 30" in depth.

Sink bowls are welded in using a solder free application and are carefully finished and polished to a flawlessly integral appearance. Standard sink bowls have 3/4" radius at all corners and are supplied with a 3 1/2" center punched drain location. Each sink is furnished with a removable stainless steel crumb cup.

For further information on our countertops and table frames, please visit our website at www.interdynesystems.com or contact one of our sales representatives listed below. All orders are provided with a three dimensional drawing for customer approval prior to manufacturing. Countertops are photographed prior to packaging and crated for safe transportation and delivery.

Quotes, pricing information and website passwords can be obtained by calling or emailing our office. To create your own quote, please access the Countertop Periodic Element from our website home page. Using your secret password, enter the information required to generate quote. This information may also be used when placing your order.

Please feel free to call or email for a quote as well. We pride ourselves on same day estimating.

Contact Information:

Office Phone: 231-799-8760

Office fax: 231-799-9690

Emails: jack@interdynesystems.com
jennifer@interdynesystems.com
angie@interdynesystems.com
csr@interdynesystems.com