

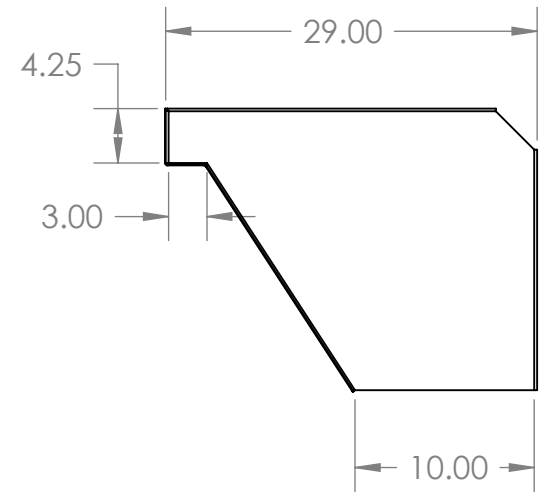
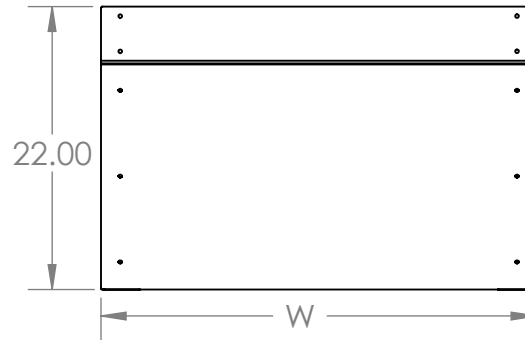
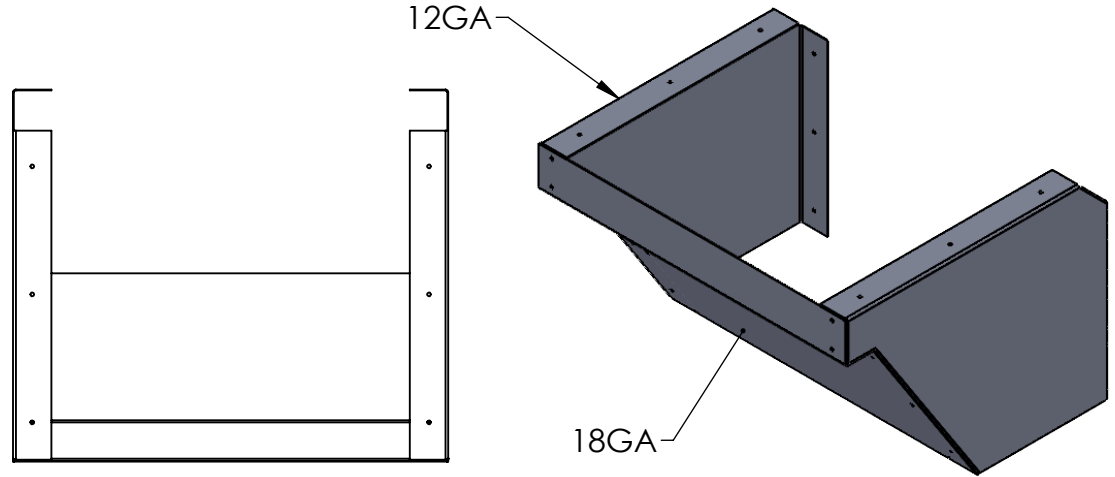
"ADSE" American Disability
Sink Enclosure

Stainless Steel ADA sink assembly for wheelchair accessibility

Features

- Constructed from 12GA side panels
- Includes 18GA front removable panel
- Available in custom depths

Product Dimensions



WIDTH "W"	NUMBER
24.00"	ADSE - 24
30.00"	ADSE - 30
36.00"	ADSE - 36
48.00"	ADSE - 48
60.00"	ADSE - 60

UNLESS OTHERWISE SPECIFIED:	REV.	REVISION DESCRIPTION	DRAWN	CHECKED	DATE	COMMENTS:
DIMENSIONS ARE IN INCHES TOLERANCES: ANGULAR ±2.50° ONE-PLACE ±0.5 TWO-PLACE ±0.13	A	STANDARD PRINT CREATED	ASR		11/24/20	
PROPRIETARY AND CONFIDENTIAL THE INFORMATION CONTAINED IN THIS DRAWING IS THE SOLE PROPERTY OF INTER DYNE SYSTEMS. ANY REPRODUCTION IN PART OR AS A WHOLE WITHOUT THE WRITTEN PERMISSION OF INTER DYNE SYSTEMS IS PROHIBITED.						
						QTY: N/A



**INTER DYNE
SYSTEMS, INC**
676 E. Ellis Rd., Norton Shores, MI 49441
Phone: 231-799-8760 Fax: 231-799-9690

PART NO.
ADSE - STANDARDS

MATERIAL: FINISH: **304 #4**