

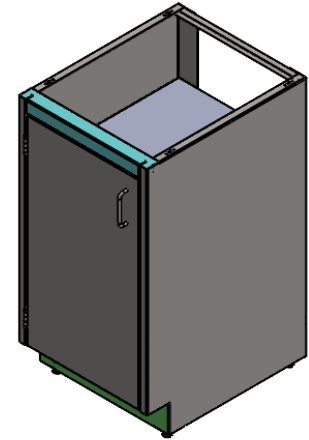
## Single Door Cabinet

Full stainless steel construction with a single door. Specify left hinged or right hinged door.

If locks are used, add the suffix "LK" to the part number.

## Features

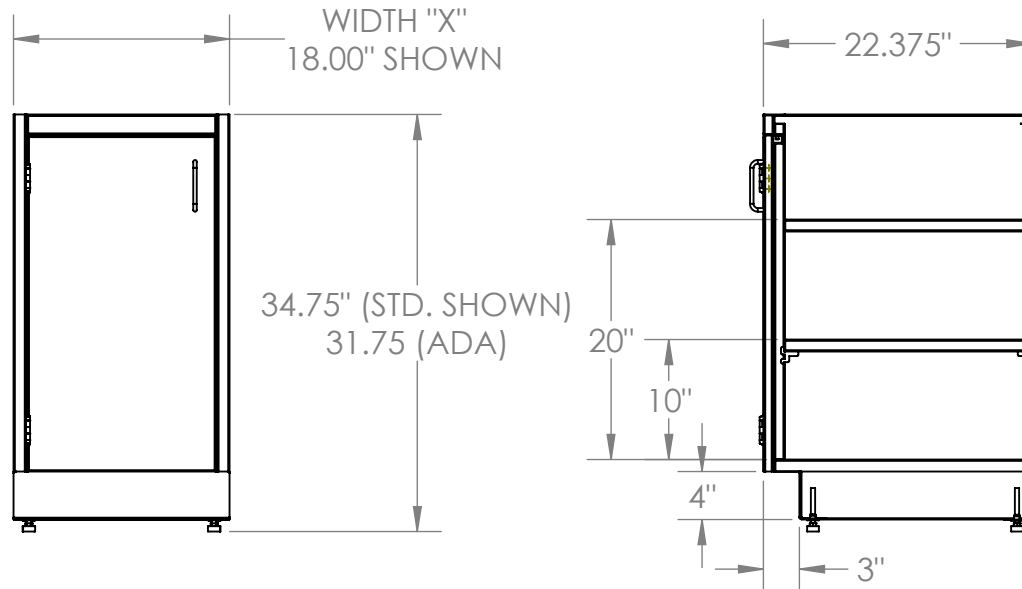
- All stainless components
- Adjustable shelf
- Removeable back panel
- 4 - adjustable leveling feet
- stainless 5-knuckle hinges
- 4" wire pull handles
- ADA heights available
- \*OPTIONAL\*  
Locking doors



\*OPTIONAL\*  
LOCKS

Example: SBC3518-LH

## Product Dimensions



\*NOTE\* L (Left) or R(Right) refers to door hinge side

STANDARD HEIGHT	
WIDTH ("X")	NUMBER
12"	SBC3512-(LH/RH)
15"	SBC3515-(LH/RH)
18"	SBC3518-(LH/RH)
21"	SBC3521-(LH/RH)
24"	SBC3524-(LH/RH)

ADA HEIGHT	
WIDTH ("X")	NUMBER
12"	SBC3212-(LH/RH)
15"	SBC3215-(LH/RH)
18"	SBC3218-(LH/RH)
21"	SBC3221-(LH/RH)
24"	SBC3224-(LH/RH)

**UNLESS OTHERWISE SPECIFIED:**

DIMENSIONS ARE IN INCHES  
 TOLERANCES:  
 ANGULAR ±2.50°  
 ONE-PLACE ±0.5  
 TWO-PLACE ±0.13

**PROPRIETARY AND CONFIDENTIAL**

THE INFORMATION CONTAINED IN THIS DRAWING IS THE SOLE PROPERTY OF INTER DYNE SYSTEMS. ANY REPRODUCTION IN PART OR AS A WHOLE WITHOUT THE WRITTEN PERMISSION OF INTER DYNE SYSTEMS IS PROHIBITED.

REV.	REVISION DESCRIPTION	DRAWN	CHECKED	DATE	COMMENTS:
A	STANDARD PRINT CREATED	BWA		10/20/20	

**QTY: N/A**



**INTER DYNE  
 SYSTEMS, INC**

676 E. Ellis Rd., Norton Shores, MI 49441  
 Phone: 231-799-8760 Fax: 231-799-9690

**PART NO.**

**BASE CABINET - ONE DOOR**

MATERIAL: 18 GA

FINISH: #4