

Door and Drawer Cabinets

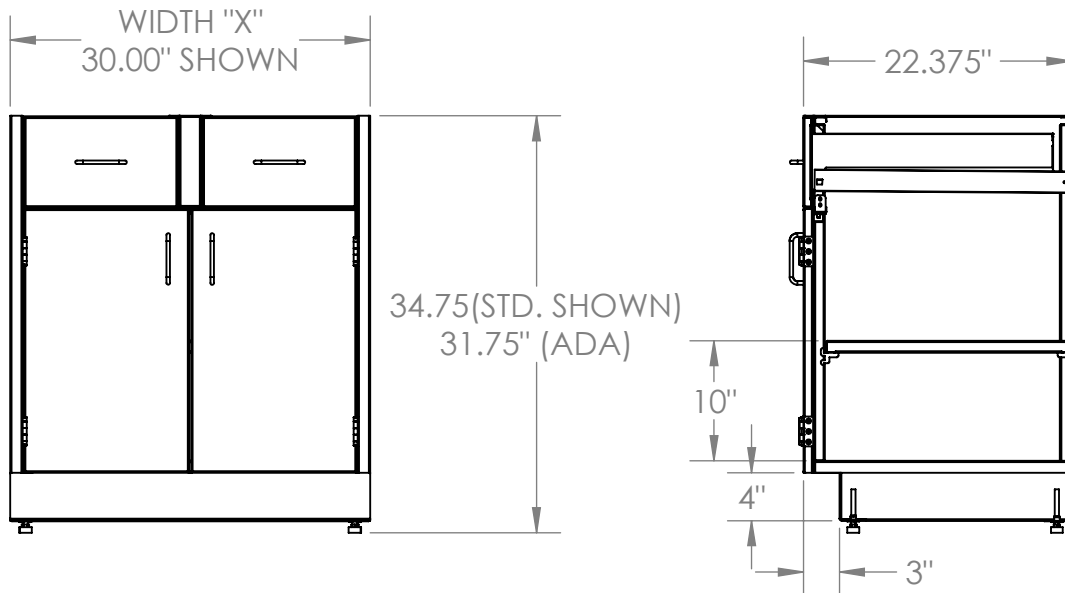
Full stainless steel construction with two doors and drawers.

If locks are used, add the suffix "LK" to the part number

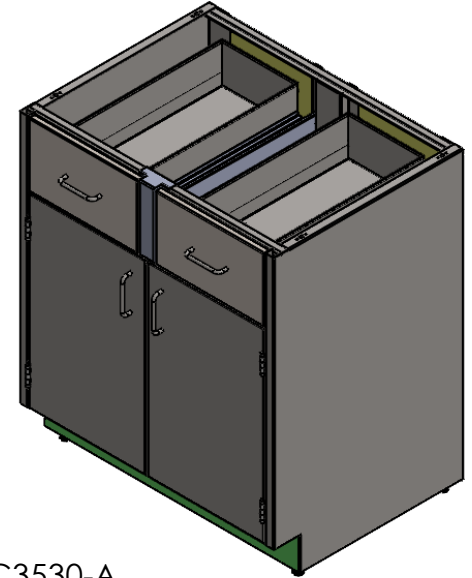
Features

- All stainless components
- adjustable shelf
- Removeable back panel
- 21.5" full extension glides
- 4 -adjustable leveling feet
- Stainless 5-knuckle hinges
- 4" wire pull handles
- ADA heights available
- *OPTIONAL*
- Locking doors and/or drawers

Product Dimensions



OPTIONAL
LOCKS



Example: SBC3530-A

STANDARD HEIGHT	
WIDTH ("X")	NUMBER
30"	SBC3530-A
36"	SBC3536-A
42"	SBC3542-A
48"	SBC3548-A

ADA HEIGHT	
WIDTH ("X")	NUMBER
30"	SBC3230-A
36"	SBC3236-A
42"	SBC3242-A
48"	SBC3248-A

UNLESS OTHERWISE SPECIFIED:

DIMENSIONS ARE IN INCHES
TOLERANCES:
ANGULAR ±2.50°
ONE-PLACE ±0.5
TWO-PLACE ±0.13

PROPRIETARY AND CONFIDENTIAL

THE INFORMATION CONTAINED IN THIS DRAWING IS THE SOLE PROPERTY OF INTER DYNE SYSTEMS. ANY REPRODUCTION IN PART OR AS A WHOLE WITHOUT THE WRITTEN PERMISSION OF INTER DYNE SYSTEMS IS PROHIBITED.

REV.	REVISION DESCRIPTION	DRAWN	CHECKED	DATE	COMMENTS:
A	STANDARD PRINT CREATED	BWA		10/20/20	

QTY: N/A



INTER DYNE SYSTEMS, INC

676 E. Ellis Rd., Norton Shores, MI 49441
Phone: 231-799-8760 Fax: 231-799-9690

PART NO.

BASE CABINET - TWO DOOR-TWO DRAWER

MATERIAL: 18 GA

FINISH: #4