

## Single Door Cabinet

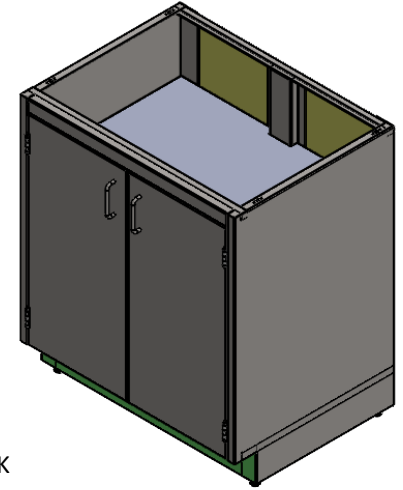
Full stainless steel construction with a 2 door design

If locks are used, add the suffix "LK" to the part number.

## Features

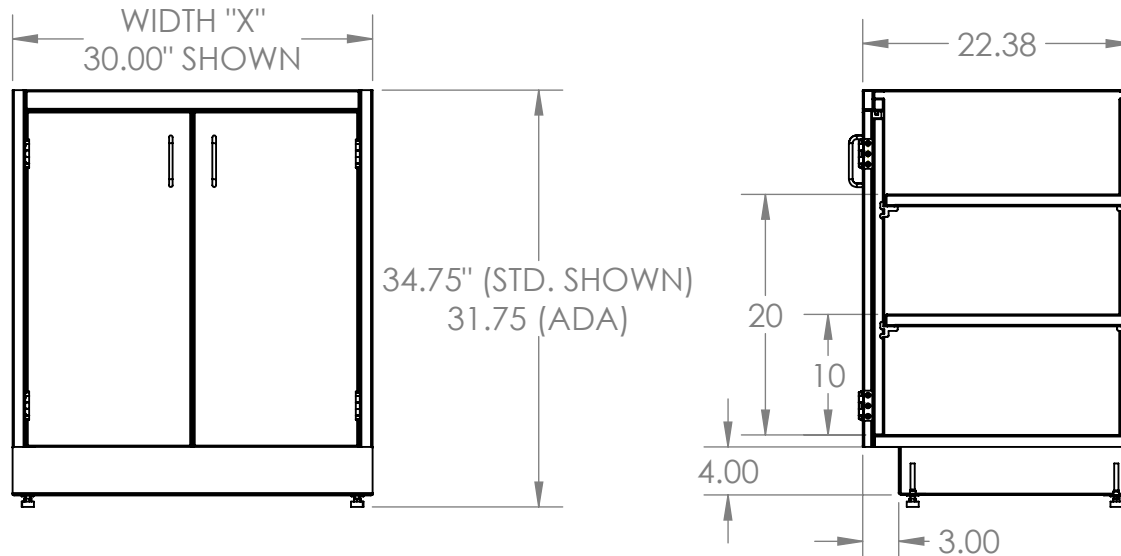
- All stainless components
- Adjustable shelf
- Removeable back panels
- 4 - adjustable leveling feet
- stainless 5-knuckle hinges
- 4" wire pull handles
- ADA heights available
- \*OPTIONAL\*  
Locking doors

\*OPTIONAL\*  
LOCKS



Example: SBC3530-LK

## Product Dimensions



STANDARD HEIGHT	
WIDTH ("X")	NUMBER
30"	SBC3530
36"	SBC3536
42"	SBC3542
48"	SBC3548

ADA HEIGHT	
WIDTH ("X")	NUMBER
30"	SBC3230
36"	SBC3236
42"	SBC3242
48"	SBC3248

**UNLESS OTHERWISE SPECIFIED:**

DIMENSIONS ARE IN INCHES  
TOLERANCES:  
ANGULAR ±2.50°  
ONE-PLACE ±0.5  
TWO-PLACE ±0.13

**PROPRIETARY AND CONFIDENTIAL**

THE INFORMATION CONTAINED IN THIS DRAWING IS THE SOLE PROPERTY OF INTER DYNE SYSTEMS. ANY REPRODUCTION IN PART OR AS A WHOLE WITHOUT THE WRITTEN PERMISSION OF INTER DYNE SYSTEMS IS PROHIBITED.

REV.	REVISION DESCRIPTION	DRAWN	CHECKED	DATE	COMMENTS:
A	STANDARD PRINT CREATED	BWA		11/12/20	

**QTY: N/A**



**INTER DYNE  
SYSTEMS, INC**

676 E. Ellis Rd., Norton Shores, MI 49441  
Phone: 231-799-8760 Fax: 231-799-9690

**PART NO.**

**BASE CABINET - TWO DOOR**

MATERIAL: 18 GA FINISH: #4