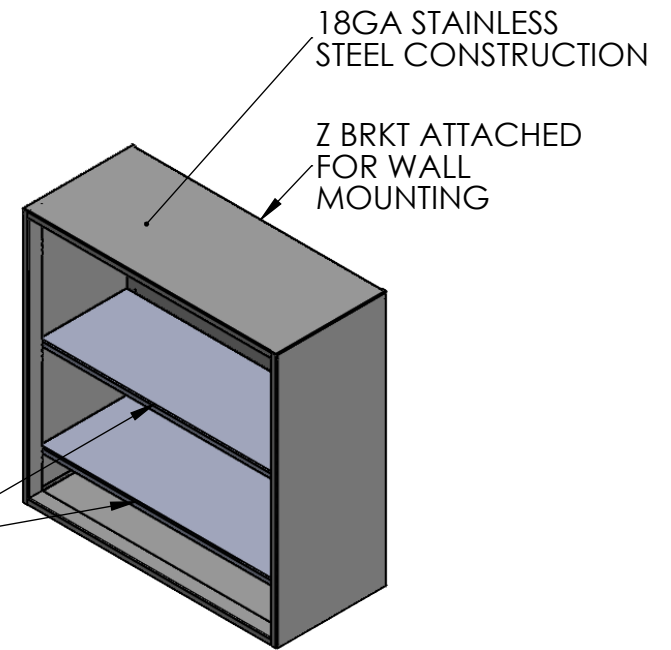
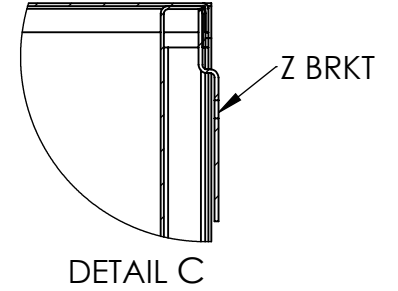
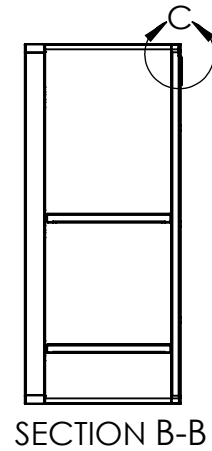
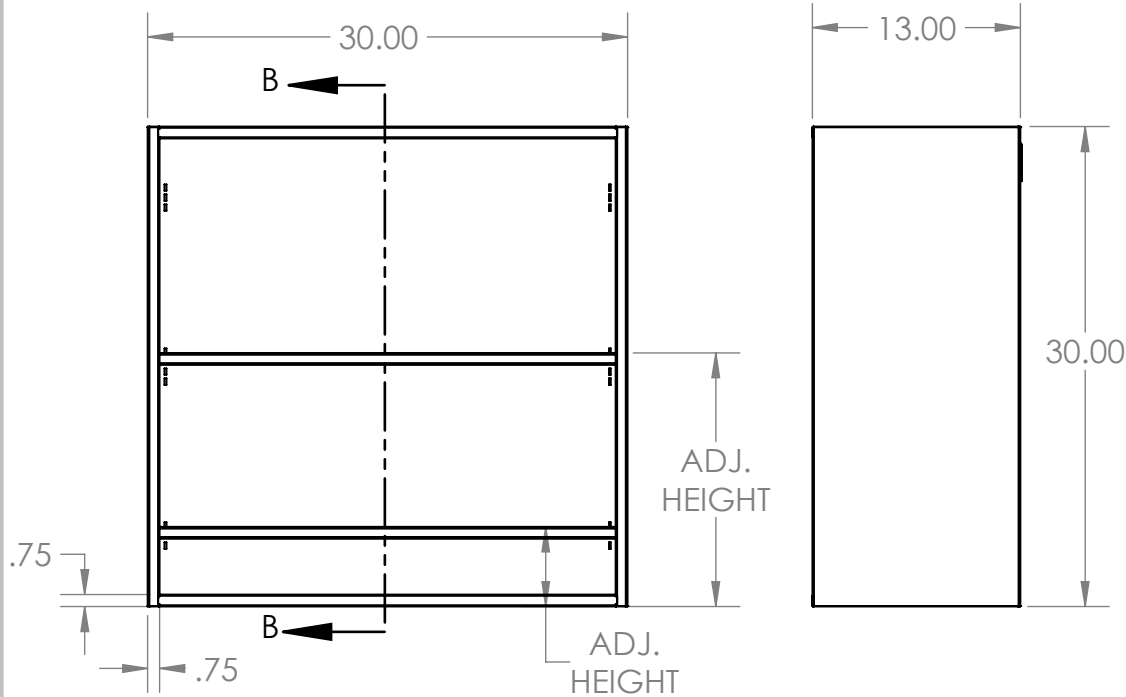


# PRODUCT DIMENSIONS



**UNLESS OTHERWISE SPECIFIED:**  
 DIMENSIONS ARE IN INCHES  
 TOLERANCES:  
 ANGULAR ±2.50°  
 ONE-PLACE ±0.5  
 TWO-PLACE ±0.13

**PROPRIETARY AND CONFIDENTIAL**  
 THE INFORMATION CONTAINED IN  
 THIS DRAWING IS THE SOLE  
 PROPERTY OF INTER DYNE SYSTEMS.  
 ANY REPRODUCTION IN PART OR  
 AS A WHOLE WITHOUT THE WRITTEN  
 PERMISSION OF INTER DYNE  
 SYSTEMS IS PROHIBITED.

REV.	REVISION DESCRIPTION	DRAWN	CHECKED	DATE	COMMENTS:
A	STANDARD PRINT CREATED	BWA		12/10/21	

**INTER DYNE  
SYSTEMS, INC**  
 676 E. Ellis Rd., Norton Shores, MI 49441  
 Phone: 231-799-8760 Fax: 231-799-9690

**PART NO.**  
SWC3030-OF

**MATERIAL:** 18GA

**FINISH:** 304 #4

**QTY:**