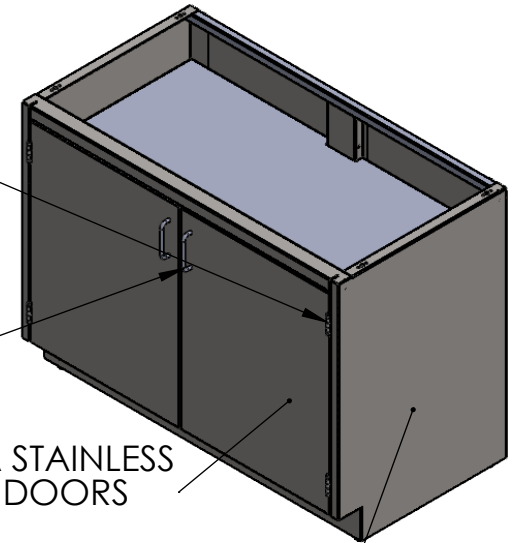
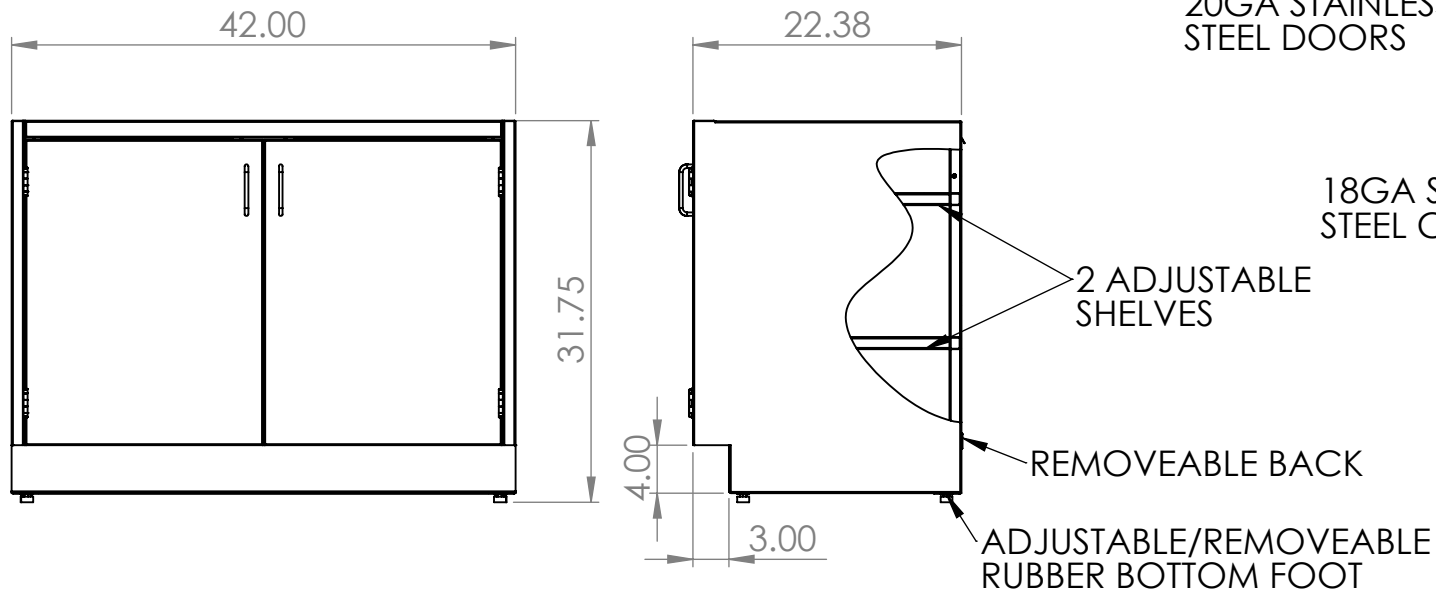


# PRODUCT DIMENSIONS



STAINLESS STEEL  
5 KNUCKLE HINGES

STAINLESS STEEL  
4IN WIRE PULL  
HANDLES

20GA STAINLESS  
STEEL DOORS

18GA STAINLESS  
STEEL CONST.

2 ADJUSTABLE  
SHELVES

REMOVEABLE BACK

ADJUSTABLE/REMOVEABLE  
RUBBER BOTTOM FOOT

**UNLESS OTHERWISE SPECIFIED:**

DIMENSIONS ARE IN INCHES  
TOLERANCES:  
ANGULAR ±2.50°  
ONE-PLACE ±0.5  
TWO-PLACE ±0.13

**PROPRIETARY AND CONFIDENTIAL**

THE INFORMATION CONTAINED IN  
THIS DRAWING IS THE SOLE  
PROPERTY OF INTER DYNE SYSTEMS.  
ANY REPRODUCTION IN PART OR  
AS A WHOLE WITHOUT THE WRITTEN  
PERMISSION OF INTER DYNE  
SYSTEMS IS PROHIBITED.

| REV. | REVISION DESCRIPTION | DRAWN | CHECKED | DATE     | COMMENTS: |
|------|----------------------|-------|---------|----------|-----------|
| A    | SUBMITTALS SENT      | ASR   |         | --/--/-- |           |
|      |                      |       |         |          |           |
|      |                      |       |         |          |           |
|      |                      |       |         |          |           |
|      |                      |       |         |          |           |
|      |                      |       |         |          |           |
|      |                      |       |         |          |           |
|      |                      |       |         |          |           |
|      |                      |       |         |          |           |
|      |                      |       |         |          |           |

**QTY: N/A**



**INTER DYNE  
SYSTEMS, INC**

676 E. Ellis Rd., Norton Shores, MI 49441  
Phone: 231-799-8760 Fax: 231-799-9690

**PART NO.**

**SBC3242-ADA**

MATERIAL: **18GA**

FINISH: **304 #4**