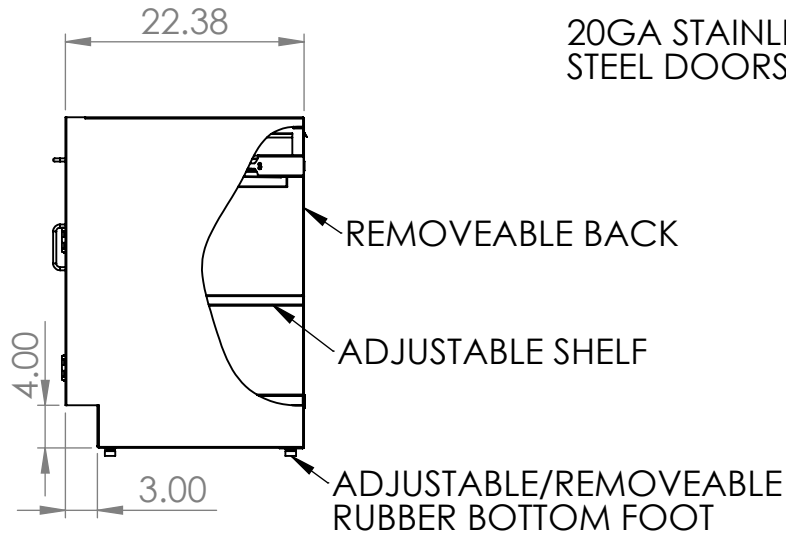
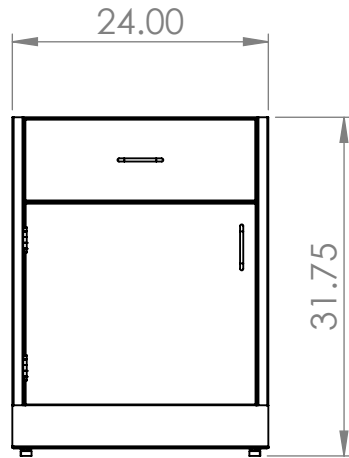


# PRODUCT DIMENSIONS



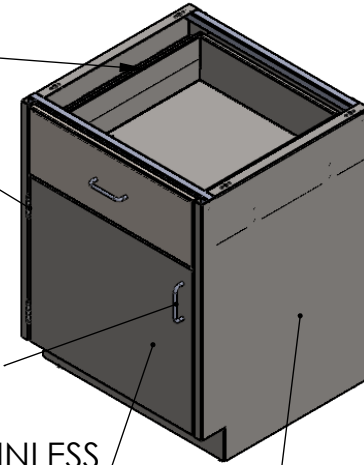
STAINLESS STEEL FULL EXT. DRAWER SLIDES WITH LEVER RELEASE

STAINLESS STEEL 5 KNUCKLE HINGES

STAINLESS STEEL 4IN WIRE PULL HANDLES

20GA STAINLESS STEEL DOORS

18GA STAINLESS STEEL CONST.



**UNLESS OTHERWISE SPECIFIED:**

DIMENSIONS ARE IN INCHES  
TOLERANCES:  
ANGULAR ±2.50°  
ONE-PLACE ±0.5  
TWO-PLACE ±0.13

**PROPRIETARY AND CONFIDENTIAL**

THE INFORMATION CONTAINED IN THIS DRAWING IS THE SOLE PROPERTY OF INTER DYNE SYSTEMS. ANY REPRODUCTION IN PART OR AS A WHOLE WITHOUT THE WRITTEN PERMISSION OF INTER DYNE SYSTEMS IS PROHIBITED.

REV.	REVISION DESCRIPTION	DRAWN	CHECKED	DATE	COMMENTS:
A	SUBMITTALS SENT	ASR		--/--/--	

**QTY: N/A**



**INTER DYNE SYSTEMS, INC**

676 E. Ellis Rd., Norton Shores, MI 49441  
Phone: 231-799-8760 Fax: 231-799-9690

**PART NO.**

**SBC3524-A-LH-ADA**

MATERIAL: **18GA**

FINISH: **304 #4**