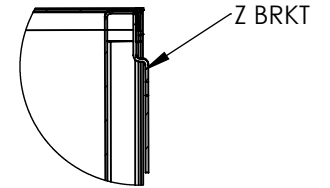
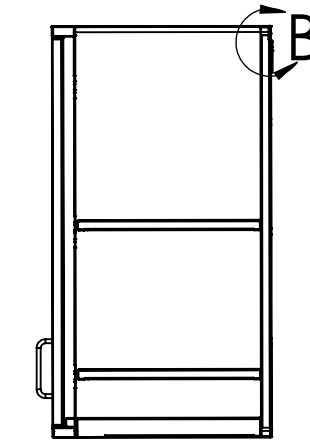
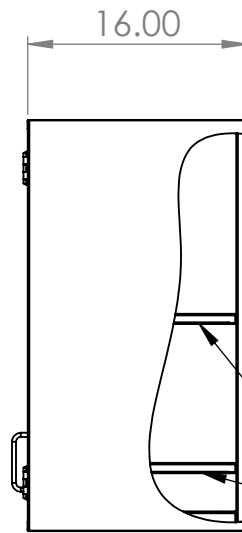
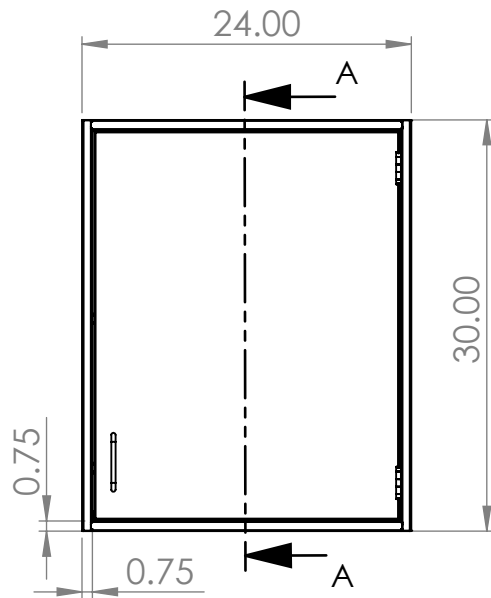
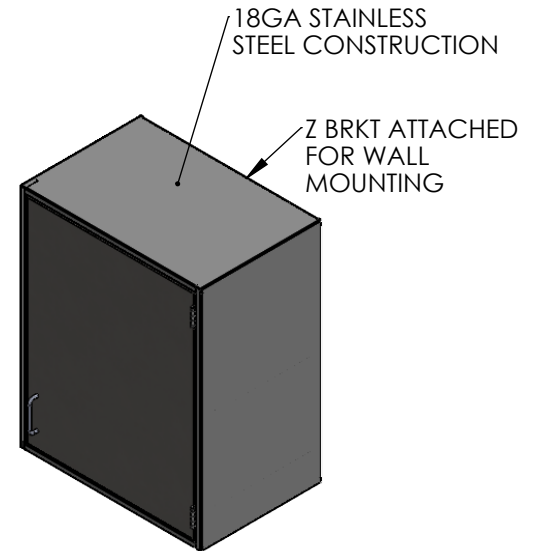


# PRODUCT DIMENSIONS



DETAIL B  
SCALE 1 : 4



**UNLESS OTHERWISE SPECIFIED:**

DIMENSIONS ARE IN INCHES  
TOLERANCES:  
ANGULAR  $\pm 2.50^\circ$   
ONE-PLACE  $\pm 0.5$   
TWO-PLACE  $\pm 0.13$

**PROPRIETARY AND CONFIDENTIAL**

THE INFORMATION CONTAINED IN THIS DRAWING IS THE SOLE PROPERTY OF INTER DYNE SYSTEMS. ANY REPRODUCTION IN PART OR AS A WHOLE WITHOUT THE WRITTEN PERMISSION OF INTER DYNE SYSTEMS IS PROHIBITED.

REV.	REVISION DESCRIPTION	DRAWN	CHECKED	DATE	COMMENTS:
A	SUBMITTALS SENT	ASR		--/--/--	



**INTER DYNE  
SYSTEMS, INC**  
676 E. Ellis Rd., Norton Shores, MI 49441  
Phone: 231-799-8760 Fax: 231-799-9690

<b>PART NO.</b> SWC3024-LH-16
MATERIAL: <b>18GA</b> FINISH: <b>304 #4</b>

**QTY: N/A**