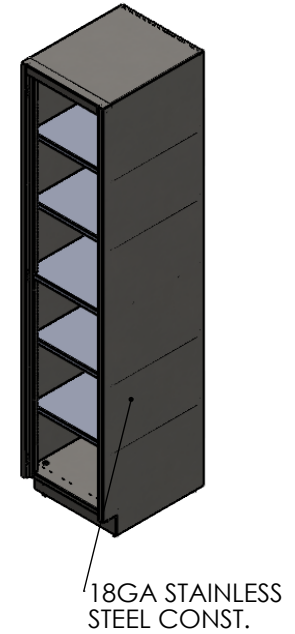
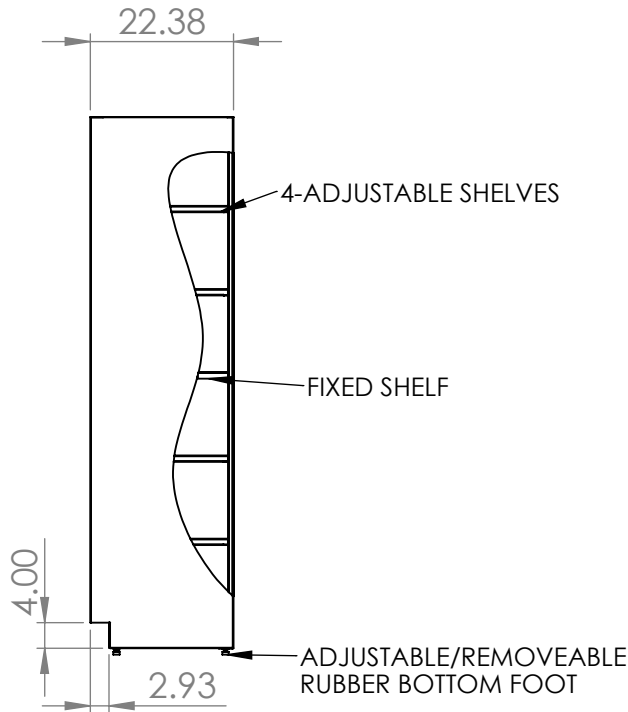
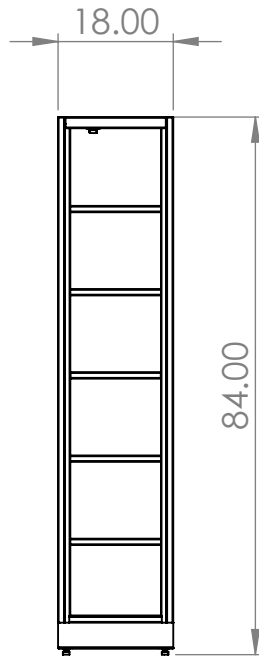


# PRODUCT DIMENSIONS



**UNLESS OTHERWISE SPECIFIED:**

DIMENSIONS ARE IN INCHES  
 TOLERANCES:  
 ANGULAR ±2.50°  
 ONE-PLACE ±0.5  
 TWO-PLACE ±0.13

**PROPRIETARY AND CONFIDENTIAL**

THE INFORMATION CONTAINED IN THIS DRAWING IS THE SOLE PROPERTY OF INTER DYNE SYSTEMS. ANY REPRODUCTION IN PART OR AS A WHOLE WITHOUT THE WRITTEN PERMISSION OF INTER DYNE SYSTEMS IS PROHIBITED.

REV.	REVISION DESCRIPTION	DRAWN	CHECKED	DATE	COMMENTS:
A	SUBMITTALS SENT	ASR		--/--/--	



**INTER DYNE  
 SYSTEMS, INC**  
 676 E. Ellis Rd., Norton Shores, MI 49441  
 Phone: 231-799-8760 Fax: 231-799-9690

**PART NO.**

**SFC8418-OF**

**QTY: N/A**

MATERIAL: **18GA** FINISH: **304 #4**