

Single Door Cabinet

Full stainless steel construction with two doors, and two adjustable shelves. Also comes in 24", 36", and 48" heights. Place "-16" at end of part # for 16" deep. Specify left hinged or right hinged door.

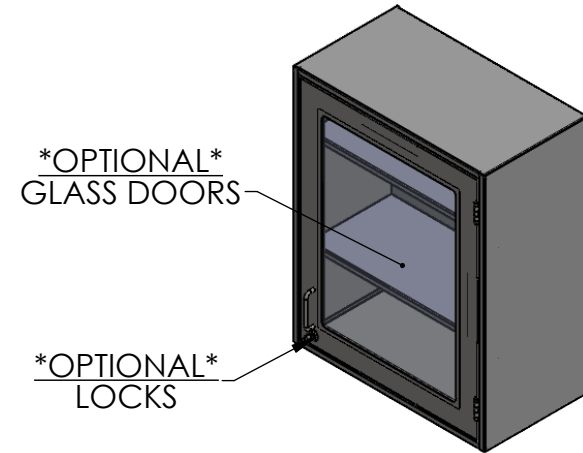
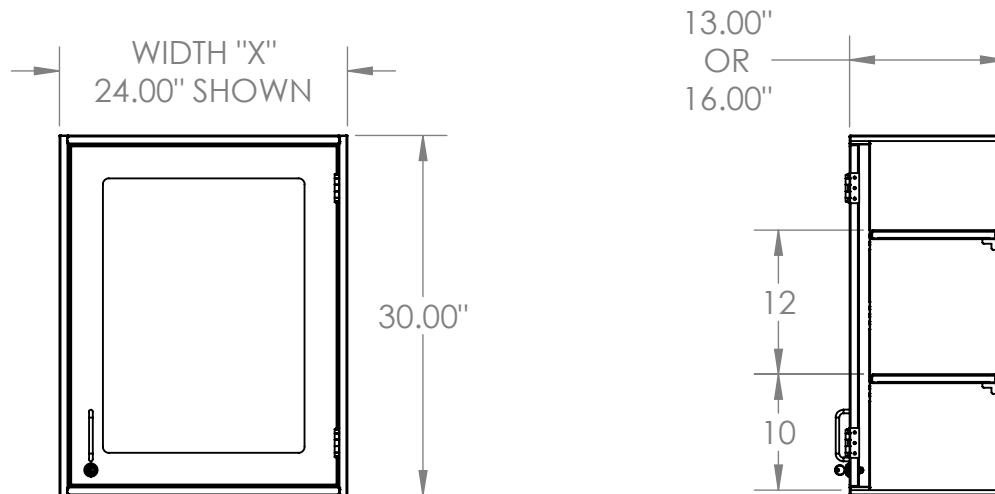
If locks are used, add the suffix "LK" to the part number.

If glass doors are used, use "GD"

Features

- All stainless components
- 2 adjustable shelves
- stainless 5-knuckle hinges
- 4" wire pull handles
- *OPTIONAL*
Locking doors
- Tempered glass doors

Product Dimensions



Example: SWC3024-GD-RH-LK

NOTE L (Left) or R (Right) Refers to door hinge side

WALL CABINET	
WIDTH ("X")	NUMBER
18"	SWC3018-(LH/RH)
24"	SWC3024-(LH/RH)

UNLESS OTHERWISE SPECIFIED:

DIMENSIONS ARE IN INCHES
TOLERANCES:
ANGULAR ±2.50°
ONE-PLACE ±0.5
TWO-PLACE ±0.13

PROPRIETARY AND CONFIDENTIAL

THE INFORMATION CONTAINED IN THIS DRAWING IS THE SOLE PROPERTY OF INTER DYNE SYSTEMS. ANY REPRODUCTION IN PART OR AS A WHOLE WITHOUT THE WRITTEN PERMISSION OF INTER DYNE SYSTEMS IS PROHIBITED.

REV.	REVISION DESCRIPTION	DRAWN	CHECKED	DATE	COMMENTS:
A	STANDARD PRINT CREATED	BWA		11/12/20	

QTY: N/A



**INTER DYNE
SYSTEMS, INC**

676 E. Ellis Rd., Norton Shores, MI 49441
Phone: 231-799-8760 Fax: 231-799-9690

PART NO.

WALL CABINET - ONE DOOR

MATERIAL: 18 GA FINISH: #4