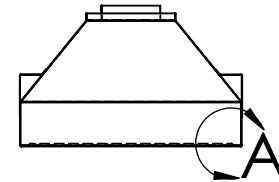
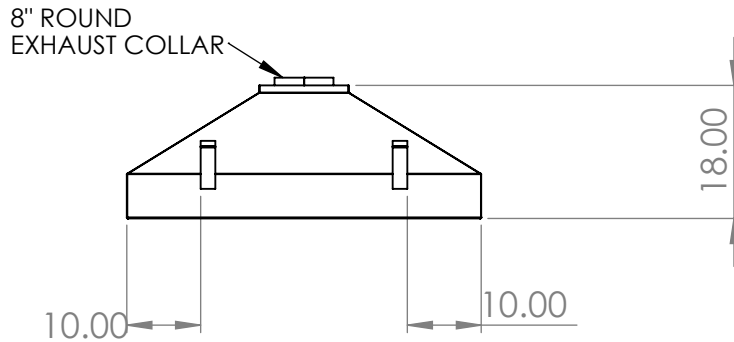
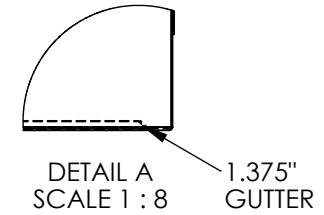
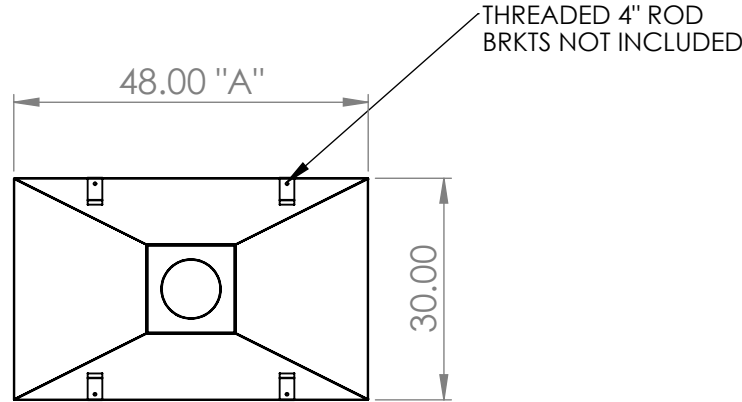
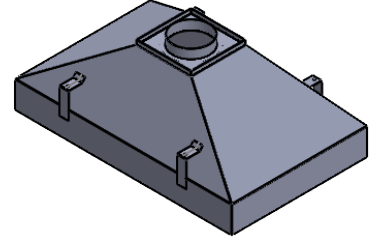


## "ICH" Island Canopy Hood

STAINLESS STEEL ISLAND CANOPY HOOD

### "ICH" Island Canopy Hood

- "A" L X 30"W X 18"H
- CONSTRUCTED FROM 16 GA, TYPE 304 STAINLESS STEEL, POLISHED TO A #4 FINISH
- 8" ROUND EXHAUST COLLAR
- 4 - ROD BRACKETS



**UNLESS OTHERWISE SPECIFIED:**

DIMENSIONS ARE IN INCHES  
TOLERANCES:  
ANGULAR  $\pm 2.50^\circ$   
ONE-PLACE  $\pm 0.5$   
TWO-PLACE  $\pm 0.13$

**PROPRIETARY AND CONFIDENTIAL**

THE INFORMATION CONTAINED IN THIS DRAWING IS THE SOLE PROPERTY OF INTER DYNE SYSTEMS. ANY REPRODUCTION IN PART OR AS A WHOLE WITHOUT THE WRITTEN PERMISSION OF INTER DYNE SYSTEMS IS PROHIBITED.

REV.	REVISION DESCRIPTION	DRAWN	CHECKED	DATE	COMMENTS:
A	SUBMITTALS SENT	ASR		--/--/--	
					<b>QTY: N/A</b>



**INTER DYNE SYSTEMS, INC**

676 E. Ellis Rd., Norton Shores, MI 49441  
Phone: 231-799-8760 Fax: 231-799-9690

**PART NO.**

ICH-4830-18

MATERIAL: 16GA

FINISH: 304 #4