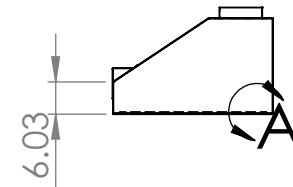
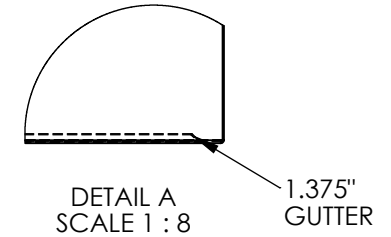
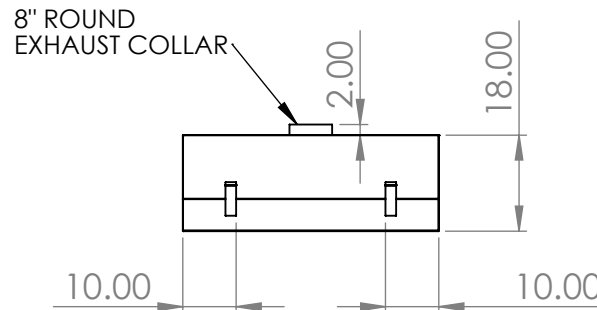
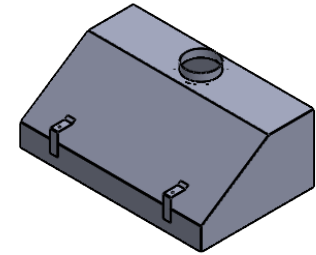
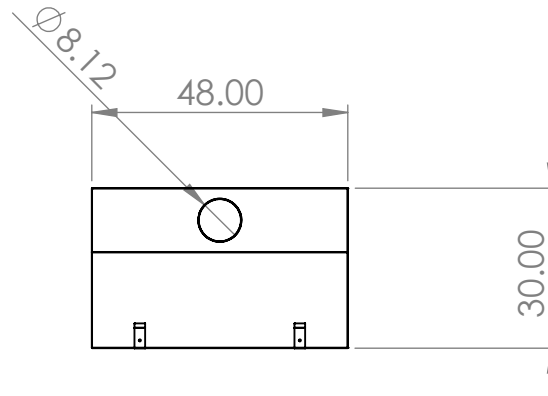


"WCH" WALL CANOPY HOOD

STAINLESS STEEL ISLAND CANOPY HOOD

FEATURES

- CONSTRUCTED FROM 16GA, TYPE 304SS, POLISHED TO A #4 FINISH
- 8" ROUND EXHAUST COLLAR
- 2 - ROD BRACKETS



UNLESS OTHERWISE SPECIFIED:

DIMENSIONS ARE IN INCHES
 TOLERANCES:
 ANGULAR ±2.50°
 ONE-PLACE ±0.5
 TWO-PLACE ±0.13

PROPRIETARY AND CONFIDENTIAL

THE INFORMATION CONTAINED IN THIS DRAWING IS THE SOLE PROPERTY OF INTER DYNE SYSTEMS. ANY REPRODUCTION IN PART OR AS A WHOLE WITHOUT THE WRITTEN PERMISSION OF INTER DYNE SYSTEMS IS PROHIBITED.

REV.	REVISION DESCRIPTION	DRAWN	CHECKED	DATE	COMMENTS:
A	SUBMITTALS SENT	ASR		--/--/--	

QTY: N/A



INTER DYNE
SYSTEMS, INC

676 E. Ellis Rd., Norton Shores, MI 49441
 Phone: 231-799-8760 Fax: 231-799-9690

PART NO.

WCH-4830-18

MATERIAL: 16GA

FINISH: 304 #4