

Stainless Steel Countertops

Custom Countertops

Options Include / not limited to:

- Intergrated back / side splahes
- Intergrated sink(s) W/ fixture mount hole(s)
- Column & corner cut-outs
- Mechancal joints for ease of installation
- Marine Edge / Pitched to Sink

Stainless Steel Construction

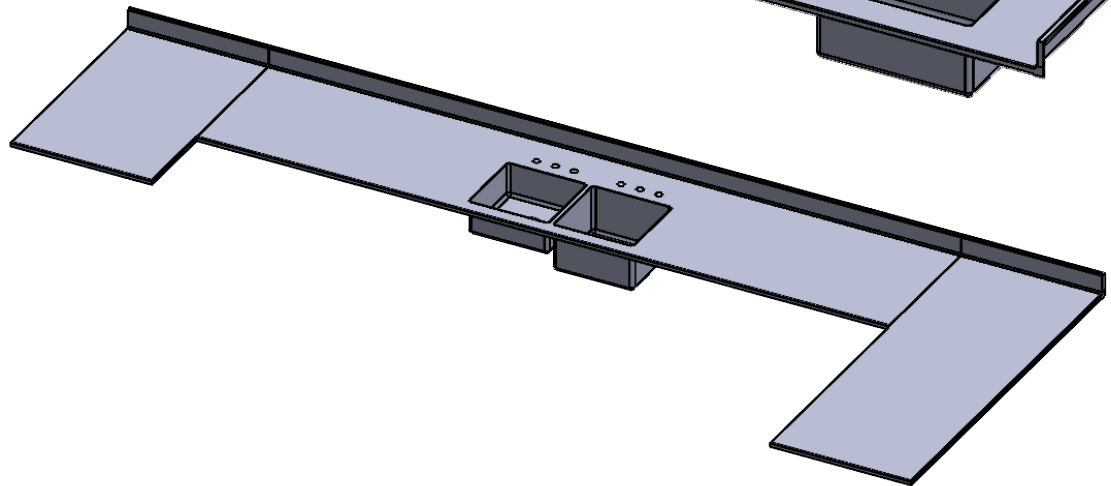
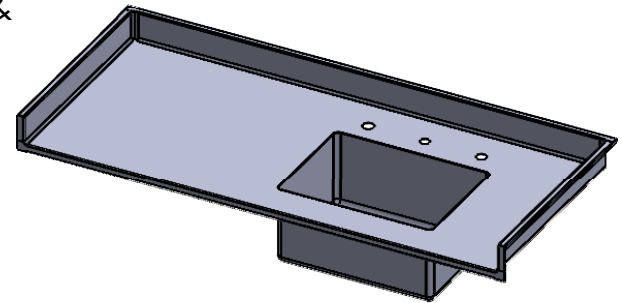
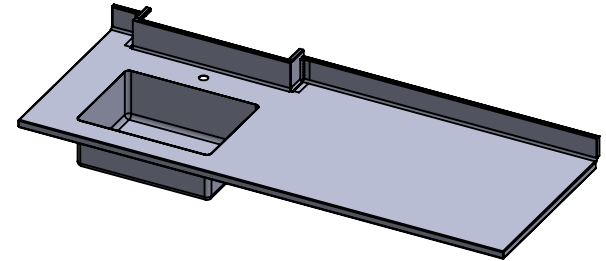
- T304 W/ No. 4 Brushed Satin Finish
- T316 W/ No. 4 Brushed Satin Finish

Reinforcement

- 16Ga Stainless Steel Hat Channels

Sound Deadening

- Underside of all tops & Sinks:
- Sound Deadening Undercoat



UNLESS OTHERWISE SPECIFIED:

DIMENSIONS ARE IN INCHES
TOLERANCES:
ANGULAR ±2.50°
ONE-PLACE ±0.5
TWO-PLACE ±0.13

PROPRIETARY AND CONFIDENTIAL

THE INFORMATION CONTAINED IN THIS DRAWING IS THE SOLE PROPERTY OF INTER DYNE SYSTEMS. ANY REPRODUCTION IN PART OR AS A WHOLE WITHOUT THE WRITTEN PERMISSION OF INTER DYNE SYSTEMS IS PROHIBITED.

REV.	REVISION DESCRIPTION	DRAWN	CHECKED	DATE	COMMENTS:
A	STANDARD PRINT CREATED	JJF		01/20/21	



INTER DYNE
SYSTEMS, INC

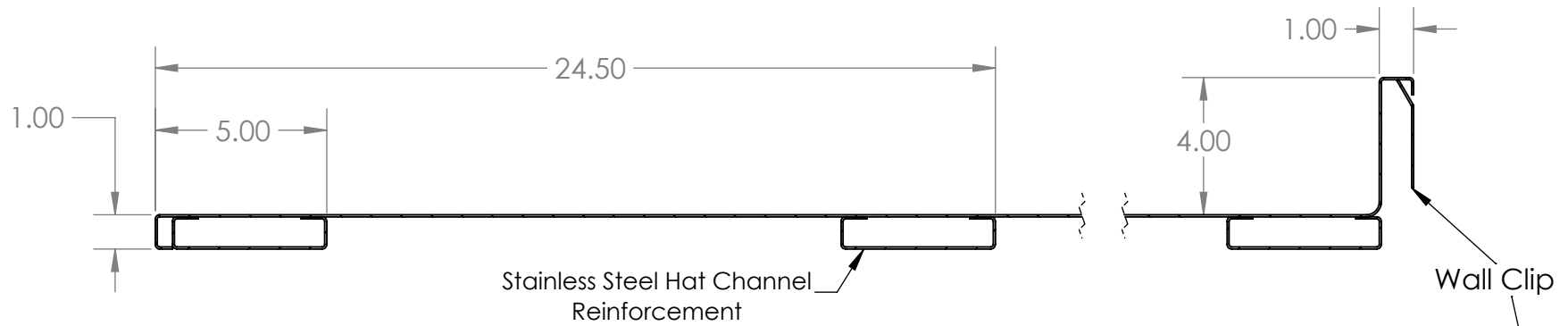
676 E. Ellis Rd., Norton Shores, MI 49441
Phone: 231-799-8760 Fax: 231-799-9690

PART NO.

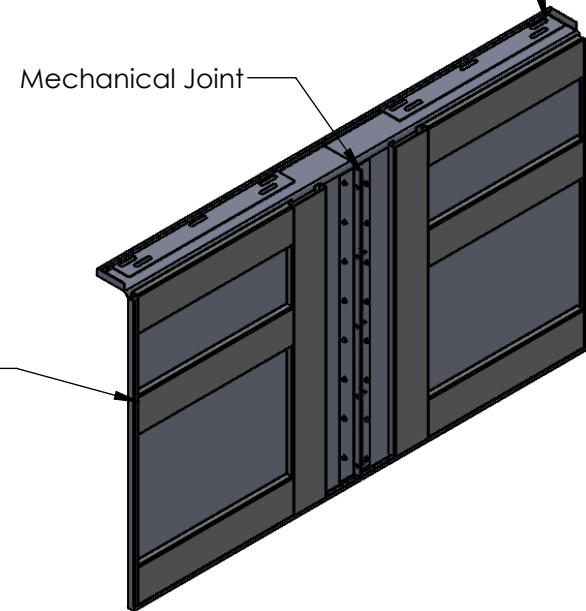
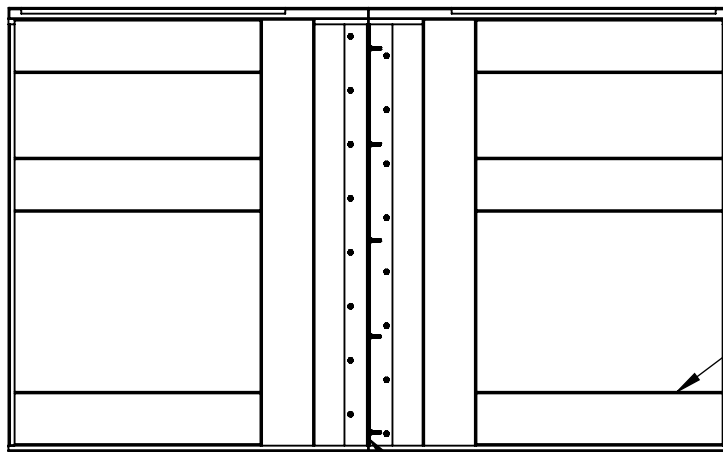
C-TOP SPEC SHEET

MATERIAL: **Stainless** FINISH: **304 #4**

Countertop Splash Section W/ Hardware



Bottom View



UNLESS OTHERWISE SPECIFIED:

DIMENSIONS ARE IN INCHES
TOLERANCES:
ANGULAR ±2.50°
ONE-PLACE ±0.5
TWO-PLACE ±0.13

PROPRIETARY AND CONFIDENTIAL

THE INFORMATION CONTAINED IN THIS DRAWING IS THE SOLE PROPERTY OF INTER DYNE SYSTEMS. ANY REPRODUCTION IN PART OR AS A WHOLE WITHOUT THE WRITTEN PERMISSION OF INTER DYNE SYSTEMS IS PROHIBITED.

REV.	REVISION DESCRIPTION	DRAWN	CHECKED	DATE	COMMENTS:
A	STANDARD PRINT CREATED	JJF		01/20/21	

QTY:



INTER DYNE SYSTEMS, INC

676 E. Ellis Rd., Norton Shores, MI 49441
Phone: 231-799-8760 Fax: 231-799-9690

PART NO.

C-TOP SPEC SHEET

MATERIAL: **STAINLESS**

FINISH: **316 #4 #4**