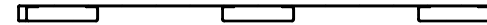
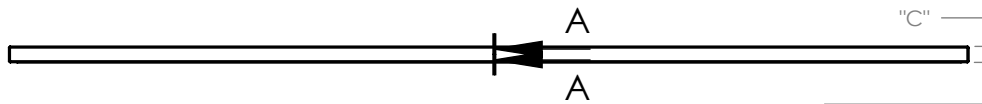
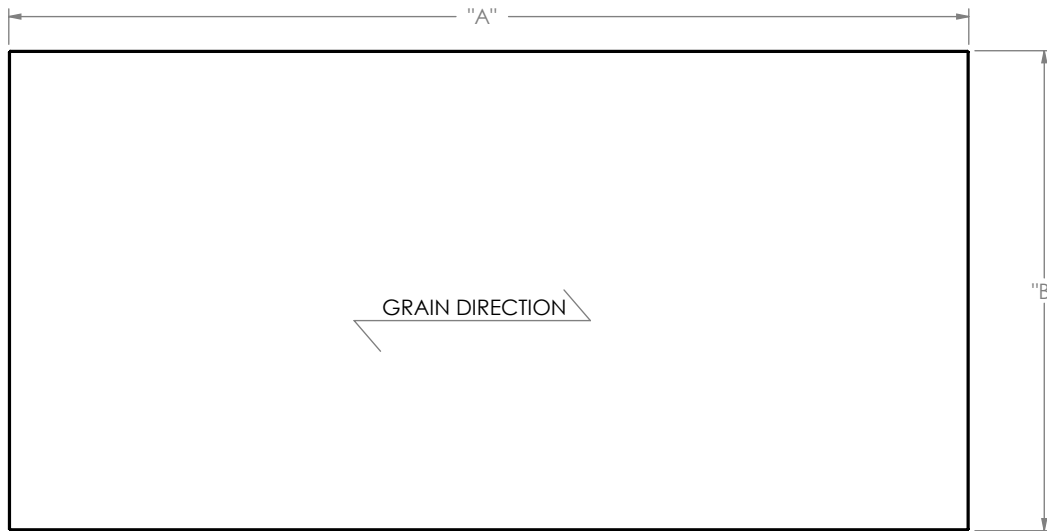
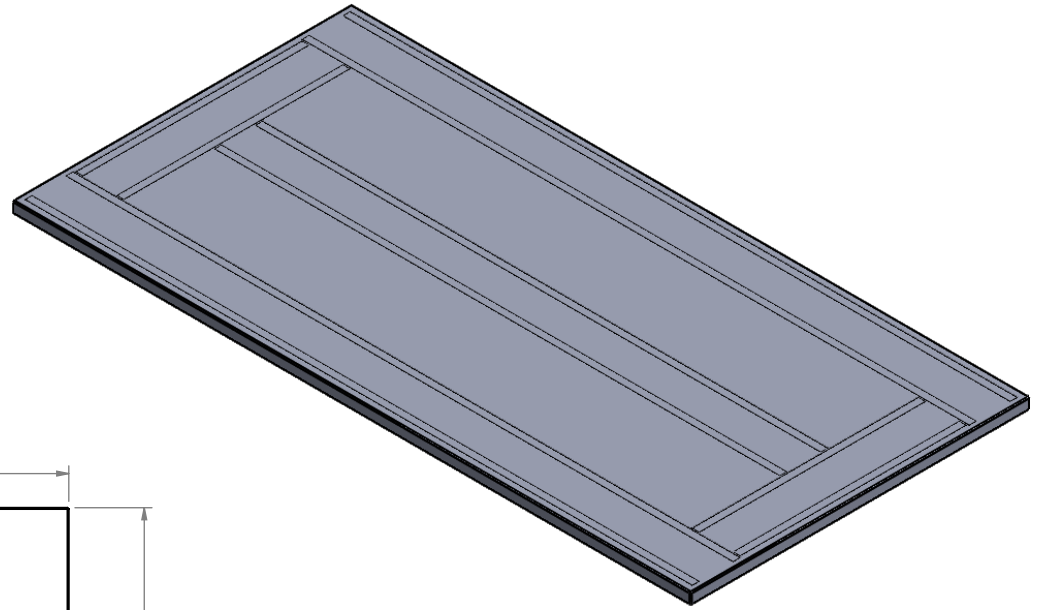


Part Number	Length "A"	Width "B"	Thickness "C"
SCT-3024-1	30.00"	24.00"	1.00"
SCT-3624-1	36.00"	24.00"	1.00"
SCT-4224-1	42.00"	24.00"	1.00"
SCT-4824-1	48.00"	24.00"	1.00"
SCT-5424-1	54.00"	24.00"	1.00"
SCT-6024-1	60.00"	24.00"	1.00"
SCT-6624-1	66.00"	24.00"	1.00"
SCT-7224-1	72.00"	24.00"	1.00"
SCT-8424-1	84.00"	24.00"	1.00"
SCT-9624-1	96.00"	24.00"	1.00"



UNLESS OTHERWISE SPECIFIED:

DIMENSIONS ARE IN INCHES
TOLERANCES:
FRACTIONAL ±
ANGULAR: MACH ± BEND ±
TWO PLACE DECIMAL ±
THREE PLACE DECIMAL ±

INTERPRET GEOMETRIC
TOLERANCING PER:

MATERIAL
STAINLESS STEEL 16 GA
FINISH
TYPE 304 #4

DO NOT SCALE DRAWING

PROPRIETARY AND CONFIDENTIAL
THE INFORMATION CONTAINED IN THIS
DRAWING IS THE SOLE PROPERTY OF
INTER DYNE SYSTEMS. ANY
REPRODUCTION IN PART OR AS A WHOLE
WITHOUT THE WRITTEN PERMISSION OF
INTERDYNE SYSTEMS IS
PROHIBITED.

SECTION A-A
SCALE 1:12

NAME DATE:
ASR 10/29/2018

INTER DYNE SYSTEM, INC
676 E.Ellis Rd., Norton Shores, MI 49441
Phone: 231-799-8760 Fax: 231-799-9690

TITLE:

**Flat Countertop -
24in Standard**

SIZE A	DWG. NO.	REV
------------------	----------	-----

SCALE: 1:50	WEIGHT:	SHEET 1 OF 1
-------------	---------	--------------