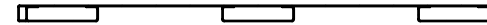
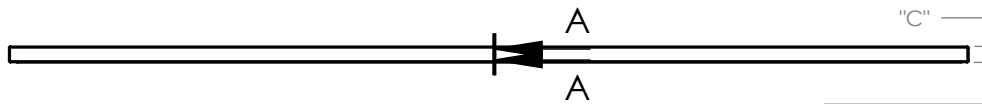
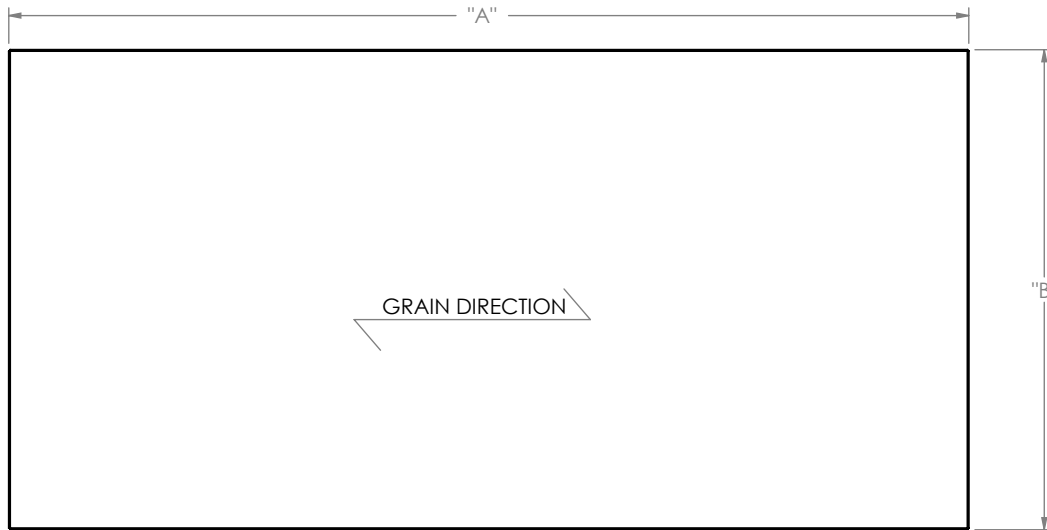
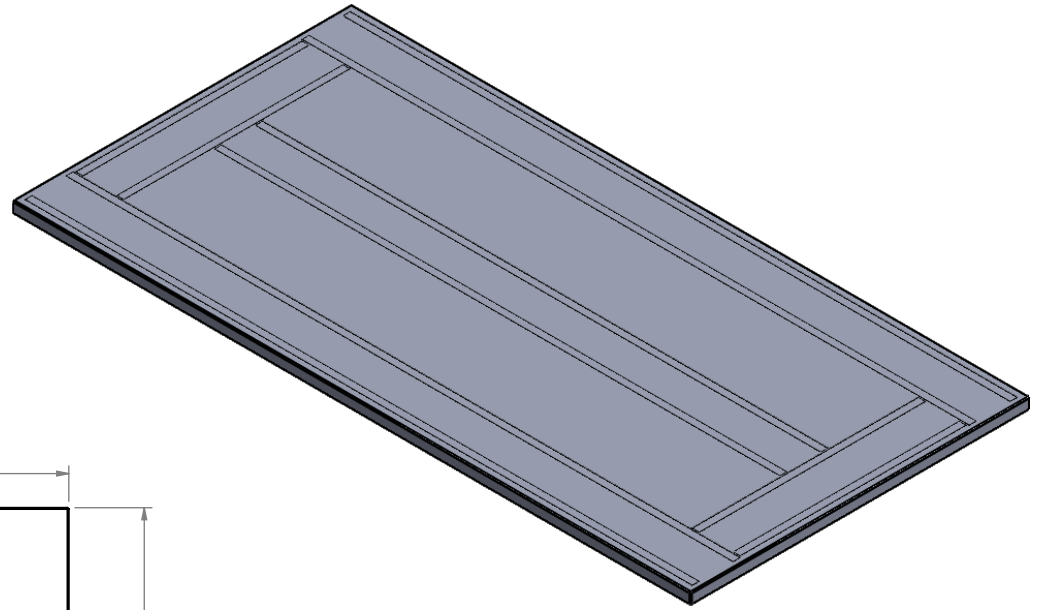


Part Number	Length "A"	Width "B"	Thickness "C"
SCT-3036-1	30.00"	36.00"	1.00"
SCT-3636-1	36.00"	36.00"	1.00"
SCT-4236-1	42.00"	36.00"	1.00"
SCT-4836-1	48.00"	36.00"	1.00"
SCT-5436-1	54.00"	36.00"	1.00"
SCT-6036-1	60.00"	36.00"	1.00"
SCT-6636-1	66.00"	36.00"	1.00"
SCT-7236-1	72.00"	36.00"	1.00"
SCT-8436-1	84.00"	36.00"	1.00"
SCT-9636-1	96.00"	36.00"	1.00"



UNLESS OTHERWISE SPECIFIED:

DIMENSIONS ARE IN INCHES  
TOLERANCES:  
FRACTIONAL ±  
ANGULAR: MACH ± BEND ±  
TWO PLACE DECIMAL ±  
THREE PLACE DECIMAL ±

INTERPRET GEOMETRIC  
TOLERANCING PER:

MATERIAL  
**STAINLESS STEEL 16 GA**  
FINISH  
**TYPE 304 #4**

DO NOT SCALE DRAWING

**PROPRIETARY AND CONFIDENTIAL**  
THE INFORMATION CONTAINED IN THIS  
DRAWING IS THE SOLE PROPERTY OF  
INTER DYNE SYSTEMS. ANY  
REPRODUCTION IN PART OR AS A WHOLE  
WITHOUT THE WRITTEN PERMISSION OF  
INTERDYNE SYSTEMS IS  
PROHIBITED.

SECTION A-A  
SCALE 1:12

NAME DATE:  
ASR 10/29/2018

INTER DYNE SYSTEM, INC  
676 E.Ellis Rd., Norton Shores, MI 49441  
Phone: 231-799-8760 Fax: 231-799-9690

TITLE:

**Flat Countertop - 36in  
Standard**

SIZE <b>A</b>	DWG. NO.	REV
------------------	----------	-----

SCALE: 1:50	WEIGHT:	SHEET 1 OF 1
-------------	---------	--------------