

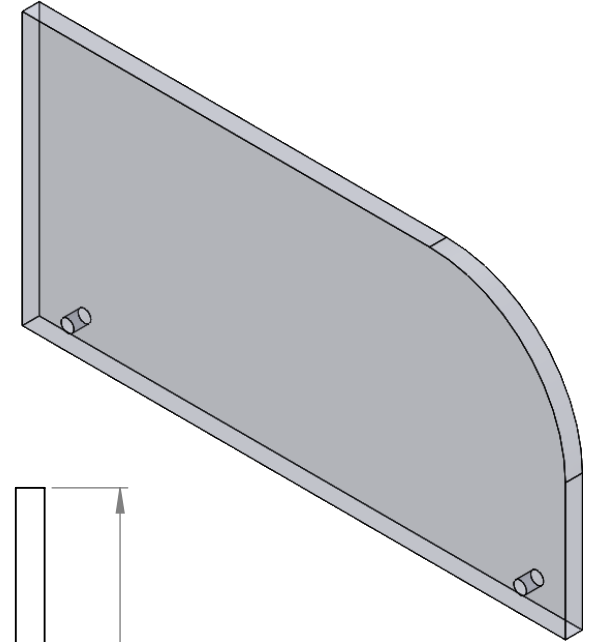
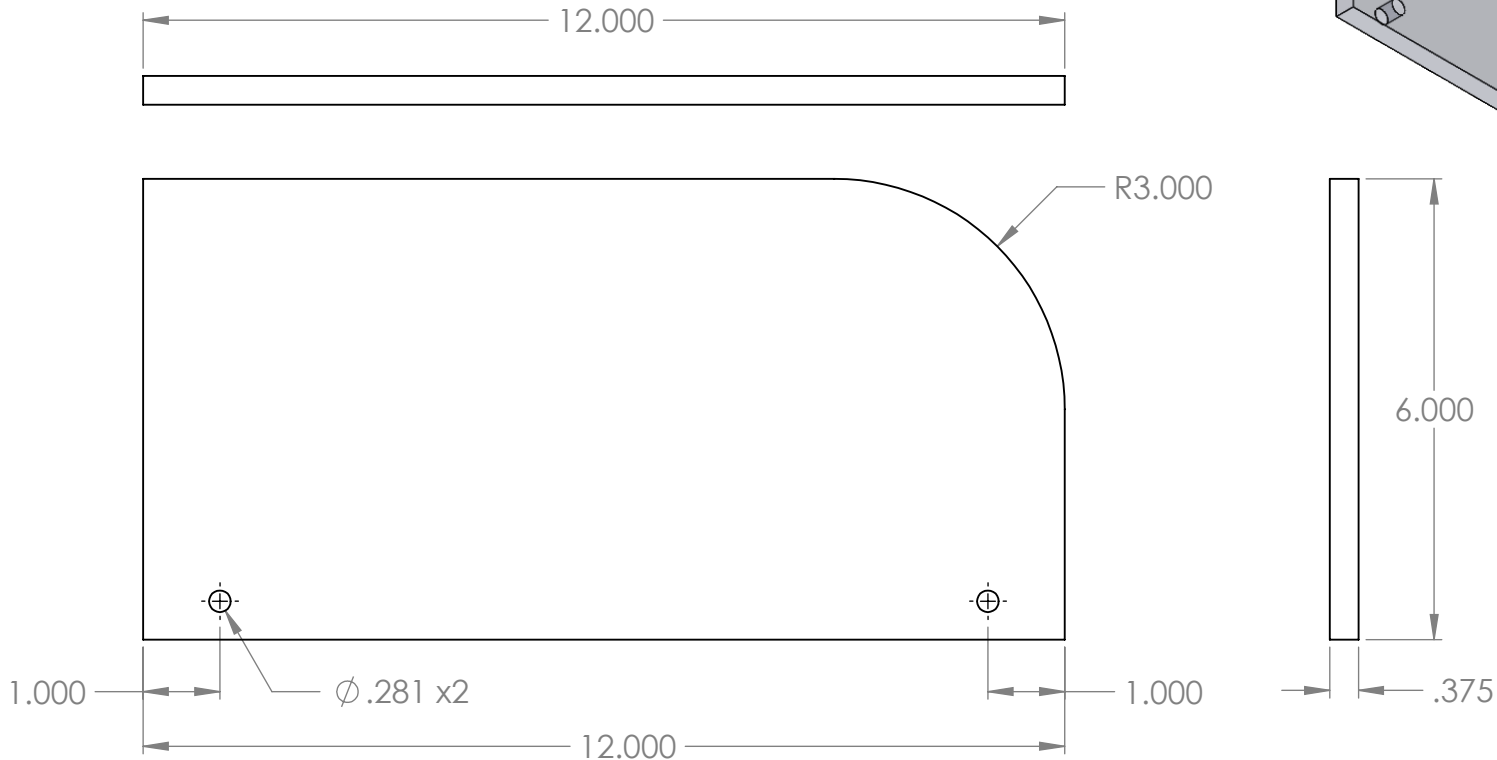
"ASE" Acrylic Shelf End

Clear acrylic shelf end with mountig

Features

- 12"w x 6"h x 3/8"d
- 2 - ϕ .281 mounting holes
- Eased and flame polished edges

Product Dimensions



UNLESS OTHERWISE SPECIFIED:

DIMENSIONS ARE IN INCHES
TOLERANCES:
FRACTIONAL \pm
ANGULAR: MACH \pm BEND \pm
TWO PLACE DECIMAL \pm
THREE PLACE DECIMAL \pm

INTERPRET GEOMETRIC
TOLERANCING PER:

MATERIAL
3/8" CLEAR ACRYLIC
FINISH
EDGES EASED & POLISH

DO NOT SCALE DRAWING

NAME DATE

DRAWN ASR 11/9/2018

CHECKED

ENG APPR.

MFG APPR.

Q.A.

COMMENTS:

INTER DYNE SYSTEM, INC
676 E.Ellis Rd., Norton Shores, MI 49441
Phone: 231-799-8760 Fax: 231-799-9690

TITLE:

ASE-1206

SIZE
A

DWG. NO.

REV

SCALE: 1:5

WEIGHT:

SHEET 1 OF 1

PROPRIETARY AND CONFIDENTIAL

THE INFORMATION CONTAINED IN THIS
DRAWING IS THE SOLE PROPERTY OF
INTER DYNE SYSTEMS. ANY
REPRODUCTION IN PART OR AS A WHOLE
WITHOUT THE WRITTEN PERMISSION OF
INTERDYNE SYSTEMS IS
PROHIBITED.