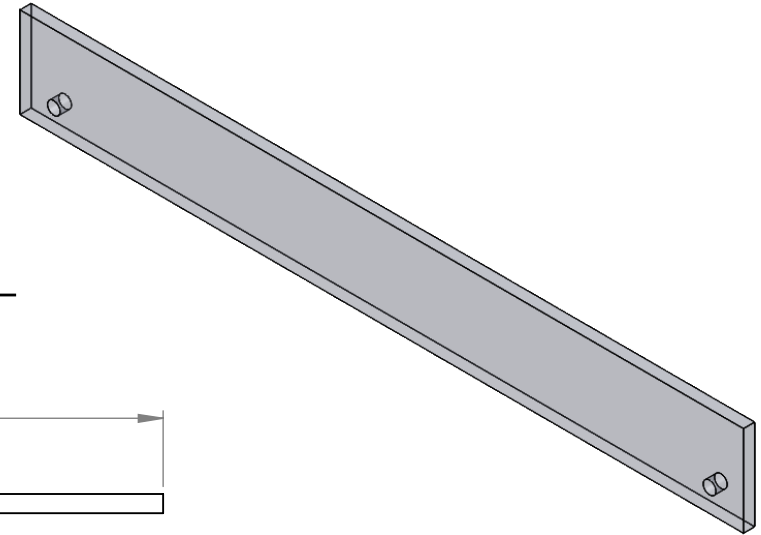


"ASL" Acrylic Shelf Lip

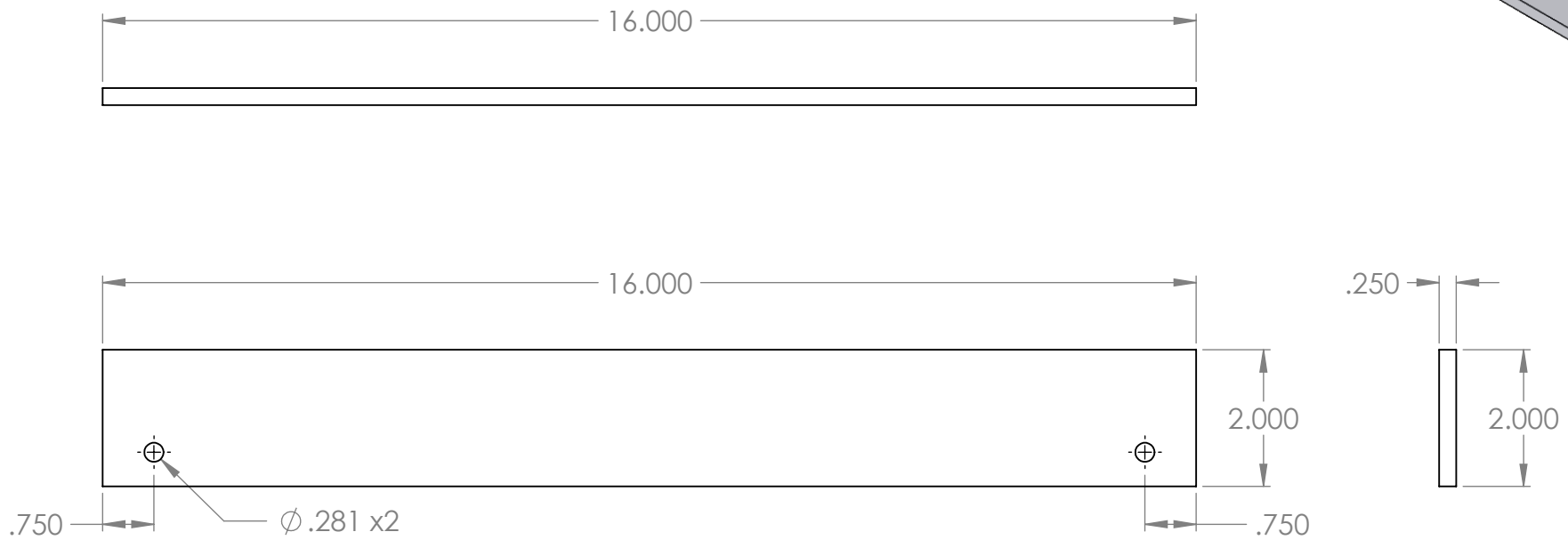
Clear acrylic shelf lip with mounting holes.

Features

- 16"w x 2"h x 1/4"d
- 2 - \varnothing .281 mounting holes
- Eased and flame polished edges



Product Dimensions



UNLESS OTHERWISE SPECIFIED:

DIMENSIONS ARE IN INCHES
TOLERANCES:
FRACTIONAL \pm
ANGULAR: MACH \pm BEND \pm
TWO PLACE DECIMAL \pm
THREE PLACE DECIMAL \pm

INTERPRET GEOMETRIC
TOLERANCING PER:

MATERIAL
1/4" CLEAR ACRYLIC
FINISH
EDGES EASED & POLISH

DO NOT SCALE DRAWING

NAME DATE

DRAWN ASR 11/8/2018

CHECKED

ENG APPR.

MFG APPR.

Q.A.

COMMENTS:

INTER DYNE SYSTEM, INC
676 E.Ellis Rd., Norton Shores, MI 49441
Phone: 231-799-8760 Fax: 231-799-9690

TITLE:

ASL-16

SIZE
A

DWG. NO.

REV

SCALE: 1:5

WEIGHT:

SHEET 1 OF 1

PROPRIETARY AND CONFIDENTIAL

THE INFORMATION CONTAINED IN THIS DRAWING IS THE SOLE PROPERTY OF INTER DYNE SYSTEMS. ANY REPRODUCTION IN PART OR AS A WHOLE WITHOUT THE WRITTEN PERMISSION OF INTERDYNE SYSTEMS IS PROHIBITED.