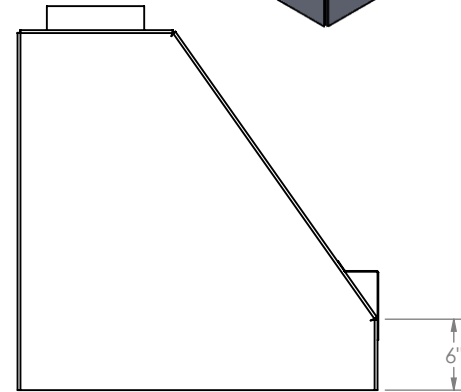
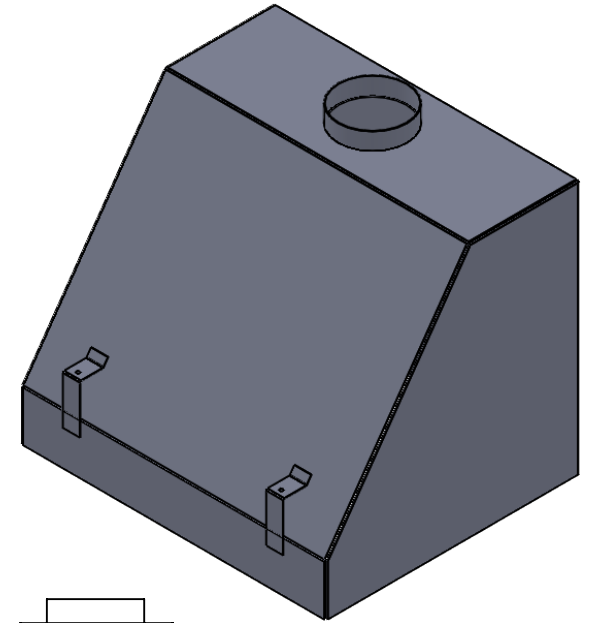
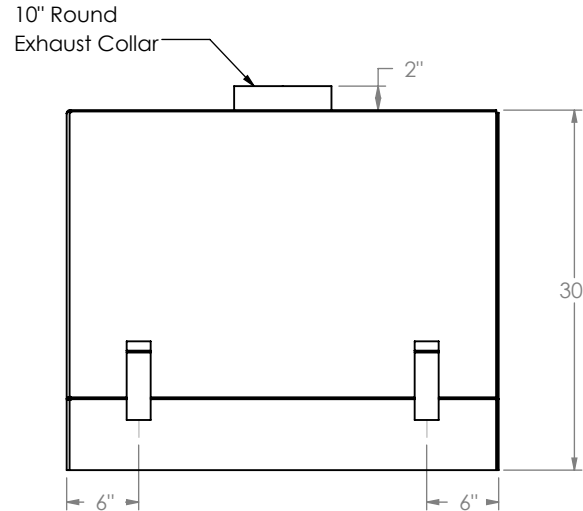
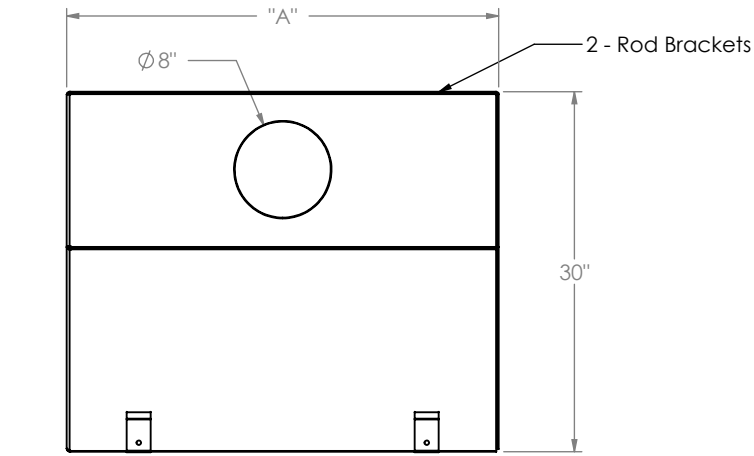


| Part Number | Length "A" | Width "B" |
|-------------|------------|-----------|
| WCH-3630-30 | 36.00" | 30.00" |
| WCH-4830-30 | 48.00" | 30.00" |
| WCH-6030-30 | 60.00" | 30.00" |
| WCH-7230-30 | 72.00" | 30.00" |
| WCH-9630-30 | 96.00" | 30.00" |

Product Dimensions



"WCH" Wall Canopy Hood

Stainless steel island canopy hood

Features

- "A" l x 30" w x 30" h
- Constructed from 18 gauge, type 304 stainless steel, polished to a #4 finish
- 8" Round Exhaust Collar
- 2 - Rod Brackets

UNLESS OTHERWISE SPECIFIED:

DIMENSIONS ARE IN INCHES
TOLERANCES:
FRACTIONAL \pm
ANGULAR: MACH \pm BEND \pm
TWO PLACE DECIMAL \pm
THREE PLACE DECIMAL \pm

INTERPRET GEOMETRIC TOLERANCING PER:

MATERIAL
STAINLESS STEEL 18 GA
FINISH
TYPE 304 #4

DO NOT SCALE DRAWING

NAME DATE

DRAWN ASR 11/15/2018

CHECKED

ENG APPR.

MFG APPR.

Q.A.

COMMENTS:

INTER DYNE SYSTEM, INC
676 E.Ellis Rd., Norton Shores, MI 49441
Phone: 231-799-8760 Fax: 231-799-9690

TITLE:

WCH-30in Standard

SIZE DWG. NO. REV

A

SCALE: 1:50 WEIGHT:

SHEET 1 OF 1

PROPRIETARY AND CONFIDENTIAL
THE INFORMATION CONTAINED IN THIS DRAWING IS THE SOLE PROPERTY OF INTER DYNE SYSTEMS. ANY REPRODUCTION IN PART OR AS A WHOLE WITHOUT THE WRITTEN PERMISSION OF INTERDYNE SYSTEMS IS PROHIBITED.