

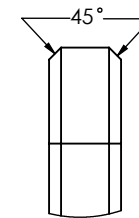
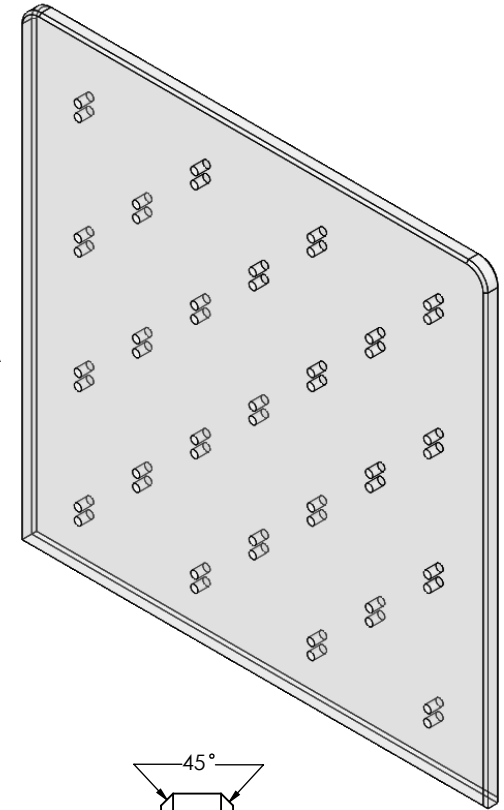
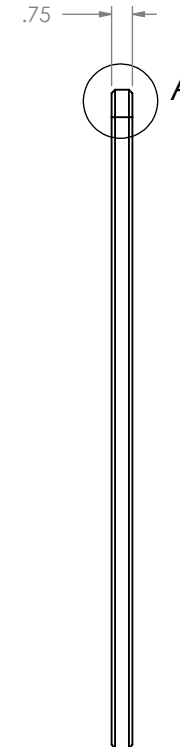
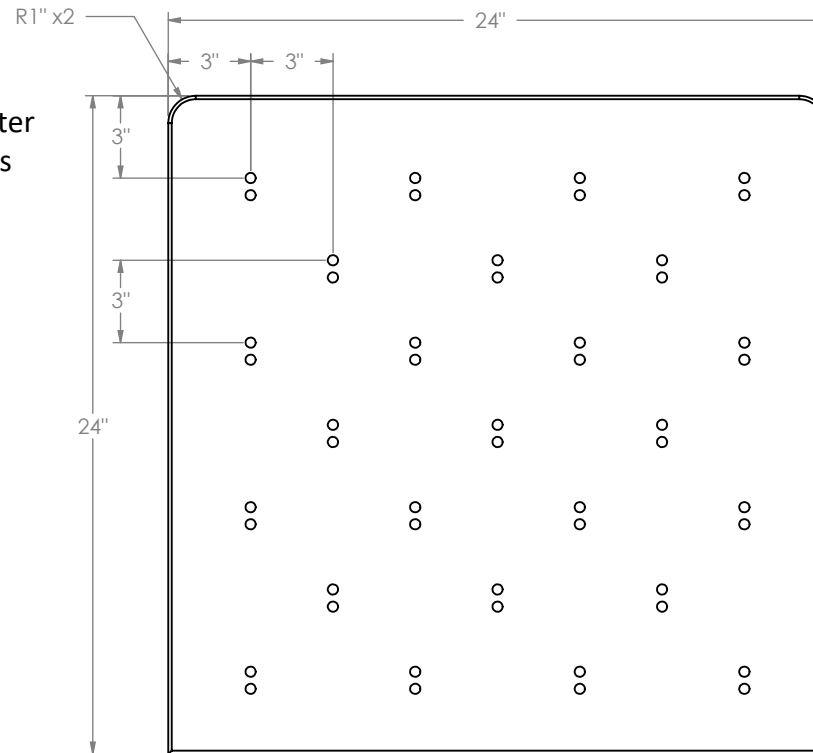
"APB" Acrylic Pegboard

Product Dimensions

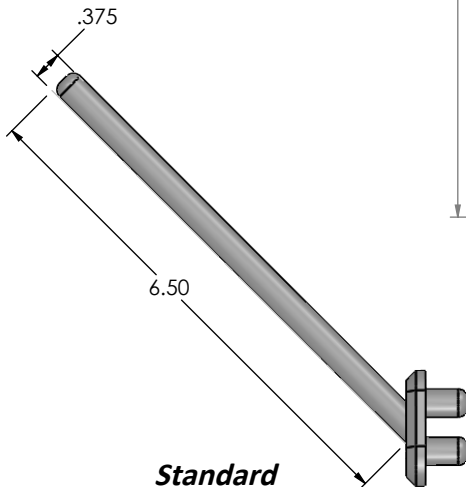
Acrylic pegboards are made of 3/4" thick clear acrylic board.

Features

- 24"w x 24"h x 3/4"d
- 25 - 6.5" long 3/8" diameter White Polypropylene pegs
- Eased and flame polished edges
- 45° Beveled Edge



DETAIL A
SCALE 1 : 2



Standard Peg

UNLESS OTHERWISE SPECIFIED:		NAME	DATE
DIMENSIONS ARE IN INCHES		DRAWN	ASR 11/13/2018
TOLERANCES:		CHECKED	
FRACTIONAL ±		ENG APPR.	
ANGULAR: MACH ± BEND ±		MFG APPR.	
TWO PLACE DECIMAL ±		Q.A.	
THREE PLACE DECIMAL ±		COMMENTS:	
INTERPRET GEOMETRIC TOLERANCING PER:			
MATERIAL			
3/4" Clear Acrylic			
FINISH			
DO NOT SCALE DRAWING			

PROPRIETARY AND CONFIDENTIAL
THE INFORMATION CONTAINED IN THIS DRAWING IS THE SOLE PROPERTY OF INTER DYNE SYSTEMS. ANY REPRODUCTION IN PART OR AS A WHOLE WITHOUT THE WRITTEN PERMISSION OF INTERDYNE SYSTEMS IS PROHIBITED.

INTER DYNE SYSTEM, INC 676 E.Ellis Rd., Norton Shores, MI 49441 Phone: 231-799-8760 Fax: 231-799-9690		
TITLE:		
<h1>APB-2424</h1>		
SIZE	DWG. NO.	REV
A		
SCALE: 1:20	WEIGHT:	SHEET 1 OF 1