

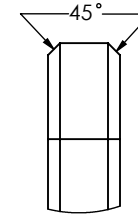
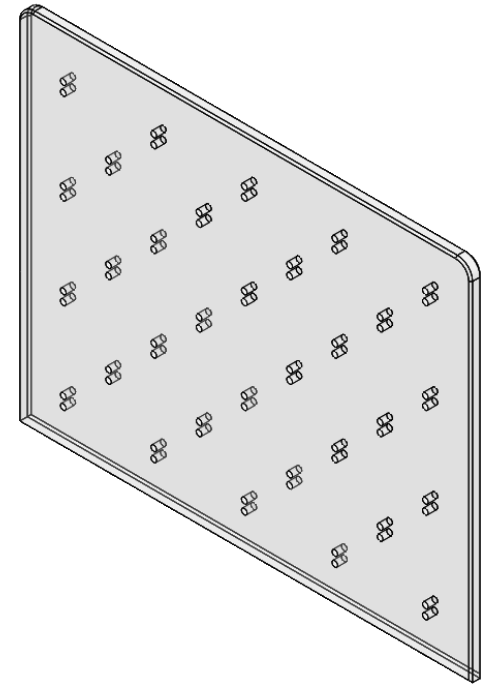
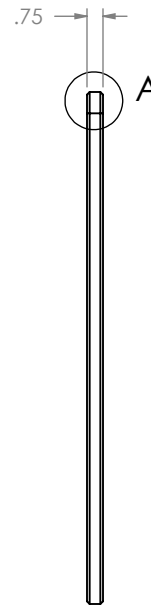
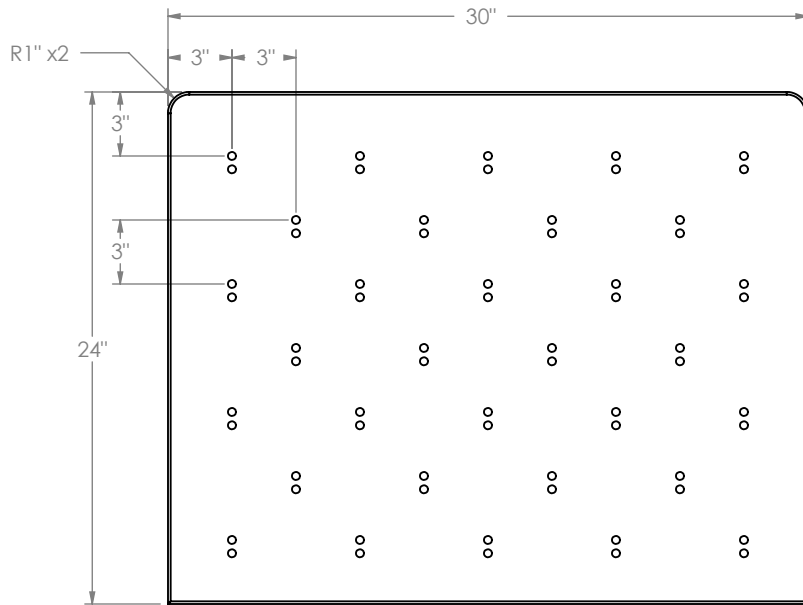
# "APB" Acrylic Pegboard

# Product Dimensions

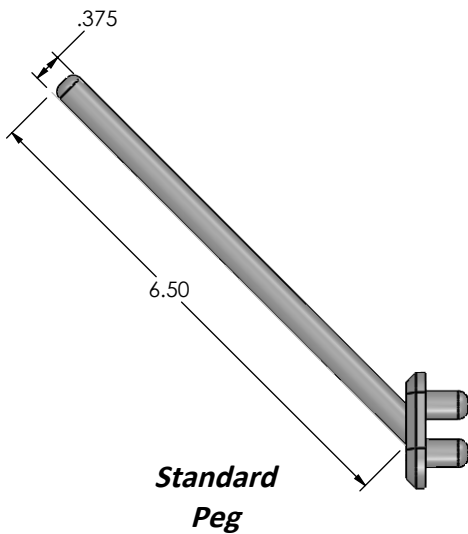
Acrylic pegboards are made of 3/4" thick clear acrylic board.

## Features

- 30"w x 24"h x 3/4"d
- 32 - 6.5" long 3/8" diameter White Polypropylene pegs
- Eased and flame polished edges
- 45° Beveled Edge



DETAIL A  
SCALE 1 : 2



UNLESS OTHERWISE SPECIFIED:		NAME	DATE
DIMENSIONS ARE IN INCHES TOLERANCES: FRACTIONAL ± ANGULAR: MACH ± BEND ± TWO PLACE DECIMAL ± THREE PLACE DECIMAL ±	DRAWN	ASR	11/13/2018
	CHECKED		
	ENG APPR.		
	MFG APPR.		
INTERPRET GEOMETRIC TOLERANCING PER:	Q.A.		
MATERIAL 3/4" Clear Acrylic	COMMENTS:		
FINISH			
DO NOT SCALE DRAWING			

**PROPRIETARY AND CONFIDENTIAL**  
THE INFORMATION CONTAINED IN THIS DRAWING IS THE SOLE PROPERTY OF INTER DYNE SYSTEMS. ANY REPRODUCTION IN PART OR AS A WHOLE WITHOUT THE WRITTEN PERMISSION OF INTERDYNE SYSTEMS IS PROHIBITED.

<b>INTER DYNE SYSTEM, INC</b> 676 E.Ellis Rd., Norton Shores, MI 49441 Phone: 231-799-8760 Fax: 231-799-9690		
TITLE:		
<b>APB-3024</b>		
SIZE <b>A</b>	DWG. NO.	REV
SCALE: 1:20	WEIGHT:	SHEET 1 OF 1