

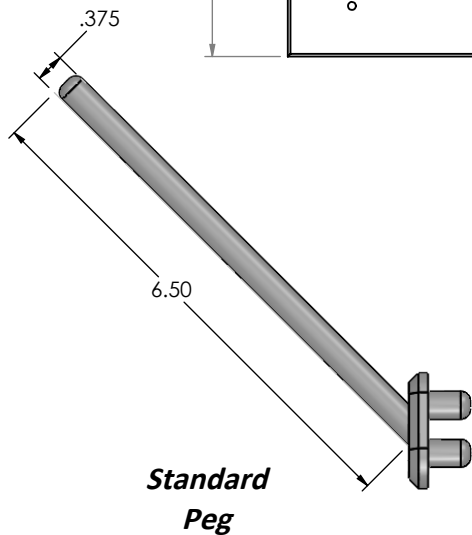
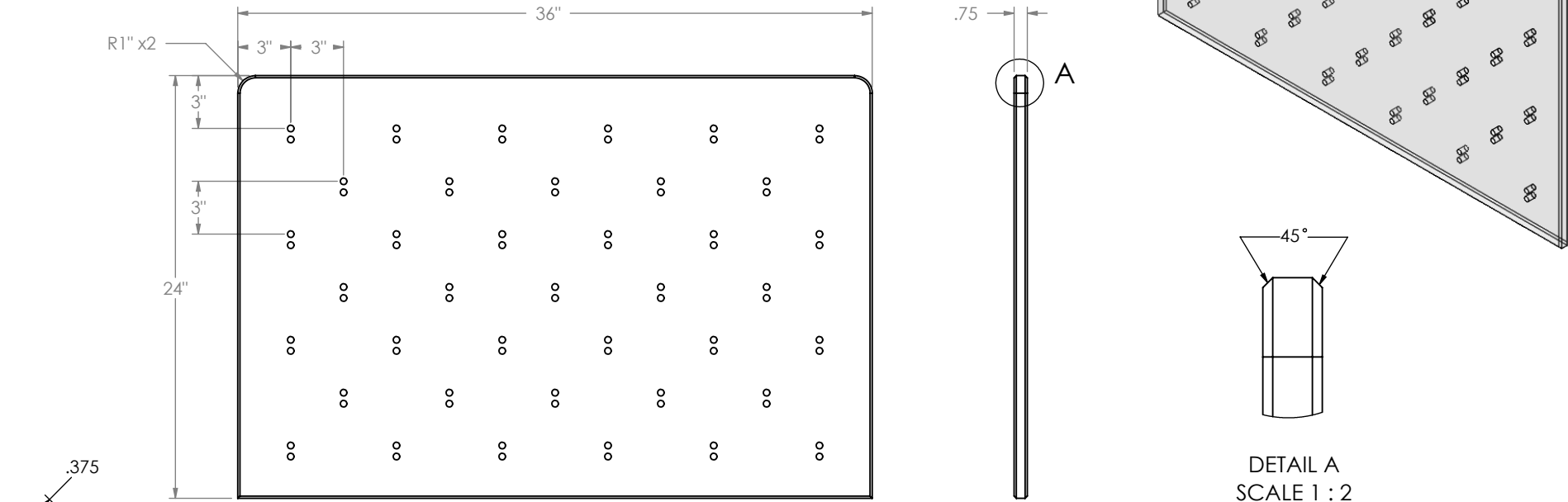
## "APB" Acrylic Pegboard

Acrylic pegboards are made of 3/4" thick clear acrylic board.

## Features

- 36" w x 24" h x 3/4" d
- 39 - 6.5" long 3/8" diameter White Polypropylene pegs
- Eased and flame polished edges
- 45° Beveled Edge

## Product Dimensions



**PROPRIETARY AND CONFIDENTIAL**  
 THE INFORMATION CONTAINED IN THIS DRAWING IS THE SOLE PROPERTY OF INTER DYNE SYSTEMS. ANY REPRODUCTION IN PART OR AS A WHOLE WITHOUT THE WRITTEN PERMISSION OF INTERDYNE SYSTEMS IS PROHIBITED.

UNLESS OTHERWISE SPECIFIED:		NAME	DATE	INTER DYNE SYSTEM, INC 676 E.Ellis Rd., Norton Shores, MI 49441 Phone: 231-799-8760 Fax: 231-799-9690 TITLE: <h1>APB-3624</h1>
DIMENSIONS ARE IN INCHES		DRAWN	ASR 11/13/2018	
TOLERANCES:		CHECKED		
FRACTIONAL ±		ENG APPR.		
ANGULAR: MACH ± BEND ±		MFG APPR.		
TWO PLACE DECIMAL ±		Q.A.		
THREE PLACE DECIMAL ±		COMMENTS:		
INTERPRET GEOMETRIC TOLERANCING PER:				SIZE DWG. NO. REV
MATERIAL				<b>A</b>
3/4" Clear Acrylic				SCALE: 1:20 WEIGHT: SHEET 1 OF 1
FINISH				
DO NOT SCALE DRAWING				