

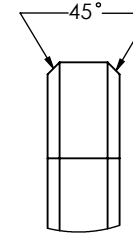
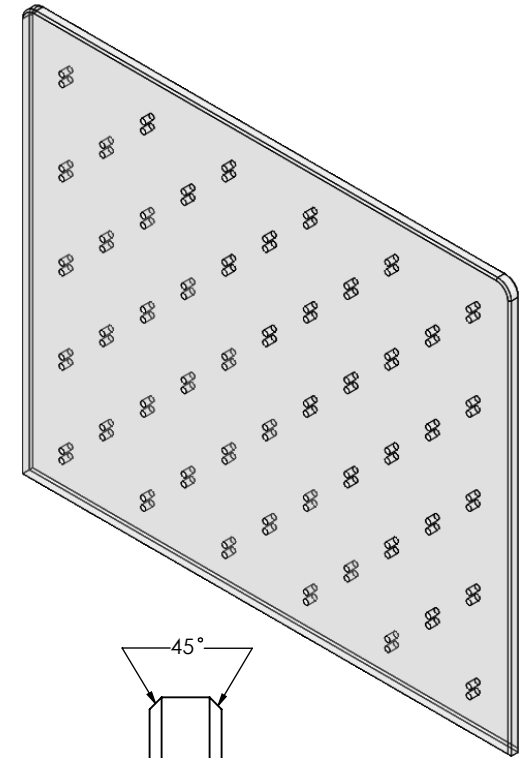
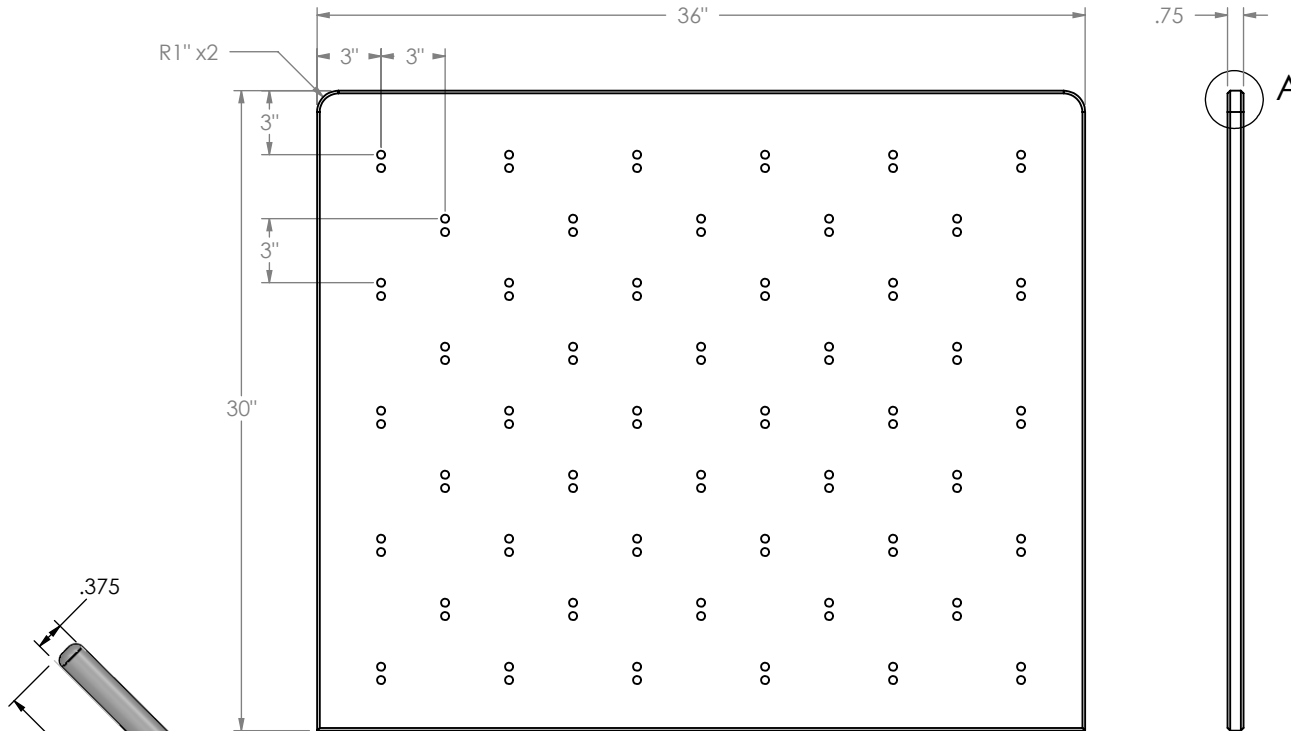
## "APB" Acrylic Pegboard

Acrylic pegboards are made of 3/4" thick clear acrylic board.

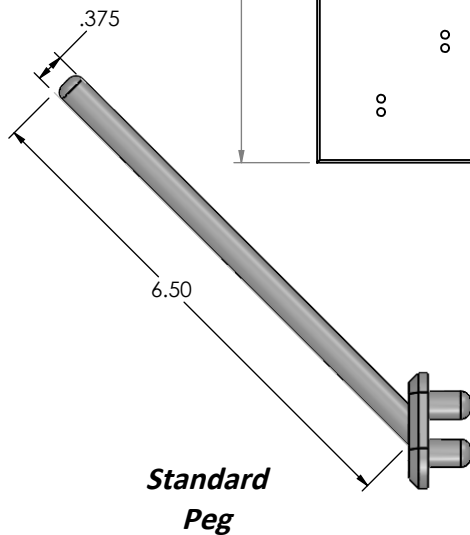
## Features

- 36"w x 30"h x 3/4"d
- 50 - 6.5" long 3/8" diameter White Polypropylene pegs
- Eased and flame polished edges
- 45° Beveled Edge

## Product Dimensions



DETAIL A  
SCALE 1 : 2



Standard  
Peg

UNLESS OTHERWISE SPECIFIED:

DIMENSIONS ARE IN INCHES  
TOLERANCES:  
FRACTIONAL ±  
ANGULAR: MACH ± BEND ±  
TWO PLACE DECIMAL ±  
THREE PLACE DECIMAL ±

INTERPRET GEOMETRIC  
TOLERANCING PER:

MATERIAL  
3/4" Clear Acrylic  
FINISH

DO NOT SCALE DRAWING

NAME

DATE

DRAWN

ASR

11/13/2018

CHECKED

ENG APPR.

MFG APPR.

Q.A.

COMMENTS:

INTER DYNE SYSTEM, INC  
676 E.Ellis Rd., Norton Shores, MI 49441  
Phone: 231-799-8760 Fax: 231-799-9690

TITLE:

APB-3630

SIZE  
**A**

DWG. NO.

REV

SCALE: 1:20 WEIGHT:

SHEET 1 OF 1

**PROPRIETARY AND CONFIDENTIAL**

THE INFORMATION CONTAINED IN THIS DRAWING IS THE SOLE PROPERTY OF INTER DYNE SYSTEMS. ANY REPRODUCTION IN PART OR AS A WHOLE WITHOUT THE WRITTEN PERMISSION OF INTERDYNE SYSTEMS IS PROHIBITED.