

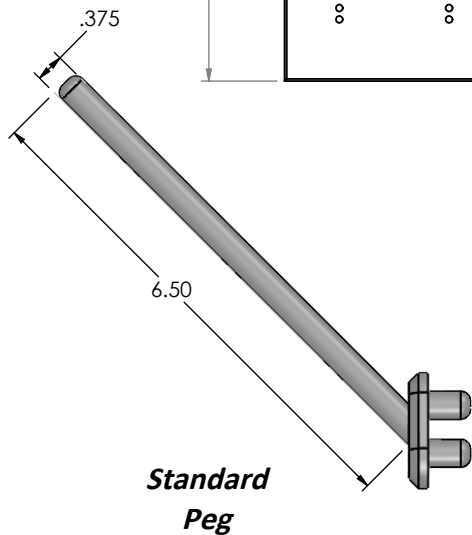
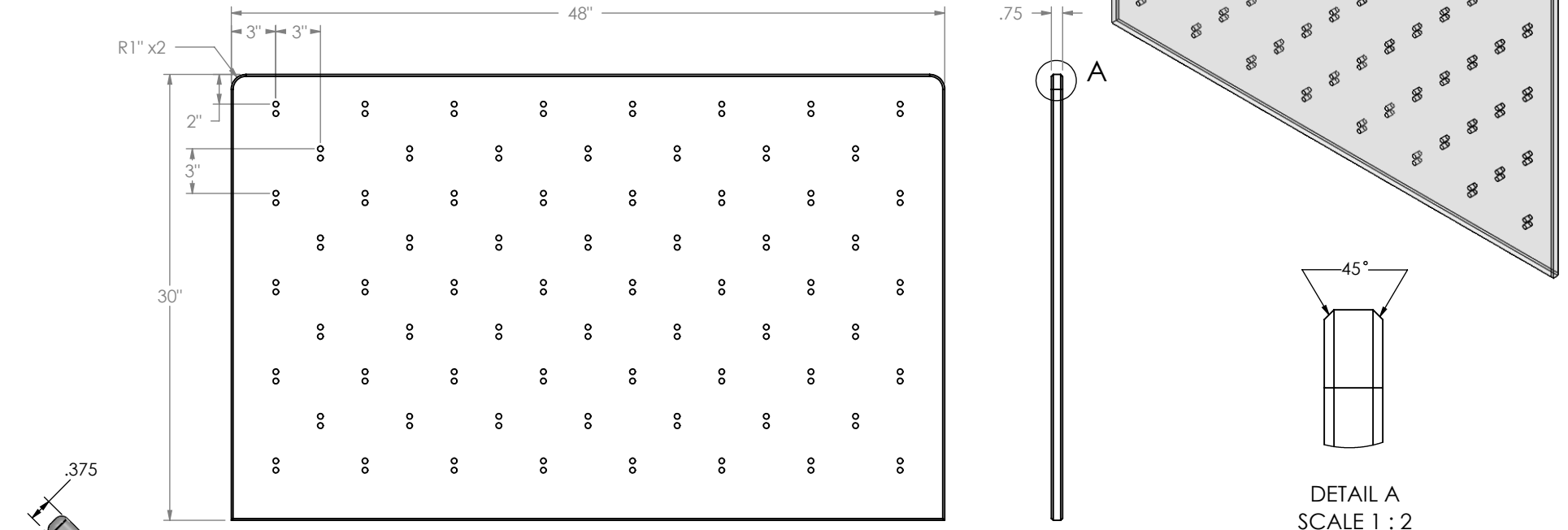
## "APB" Acrylic Pegboard

Acrylic pegboards are made of 3/4" thick clear acrylic board.

## Features

- 48"w x 30"h x 3/4"d
- 68 - 6.5" long 3/8" diameter White Polypropylene pegs
- Eased and flame polished edges
- 45° Beveled Edge

## Product Dimensions



**PROPRIETARY AND CONFIDENTIAL**  
 THE INFORMATION CONTAINED IN THIS DRAWING IS THE SOLE PROPERTY OF INTER DYNE SYSTEMS. ANY REPRODUCTION IN PART OR AS A WHOLE WITHOUT THE WRITTEN PERMISSION OF INTERDYNE SYSTEMS IS PROHIBITED.

UNLESS OTHERWISE SPECIFIED:		NAME	DATE
DIMENSIONS ARE IN INCHES	DRAWN	ASR	11/13/2018
TOLERANCES:	CHECKED		
FRACTIONAL ±	ENG APPR.		
ANGULAR: MACH ± BEND ±	MFG APPR.		
TWO PLACE DECIMAL ±	Q.A.		
THREE PLACE DECIMAL ±	COMMENTS:		
INTERPRET GEOMETRIC TOLERANCING PER:			
MATERIAL			
3/4" Clear Acrylic			
FINISH			
DO NOT SCALE DRAWING			
<b>INTER DYNE SYSTEM, INC</b> 676 E.Ellis Rd., Norton Shores, MI 49441 Phone: 231-799-8760 Fax: 231-799-9690			
TITLE:			
<b>APB-4830</b>			
SIZE	DWG. NO.	REV	
<b>A</b>			
SCALE: 1:20	WEIGHT:	SHEET 1 OF 1	