

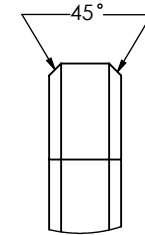
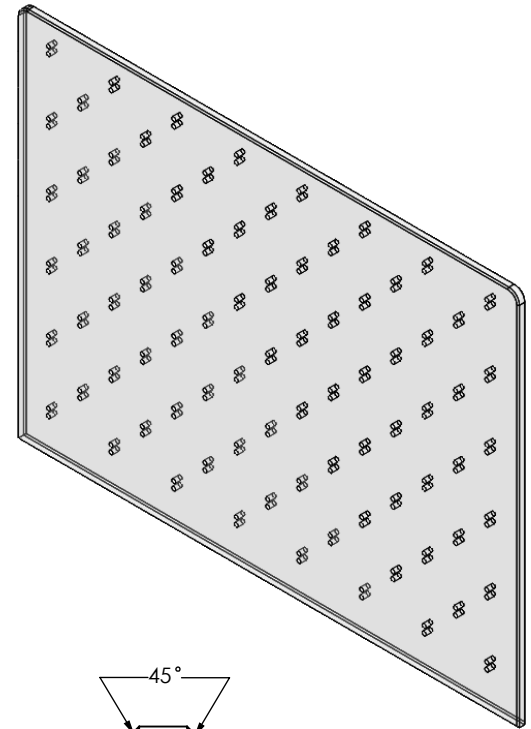
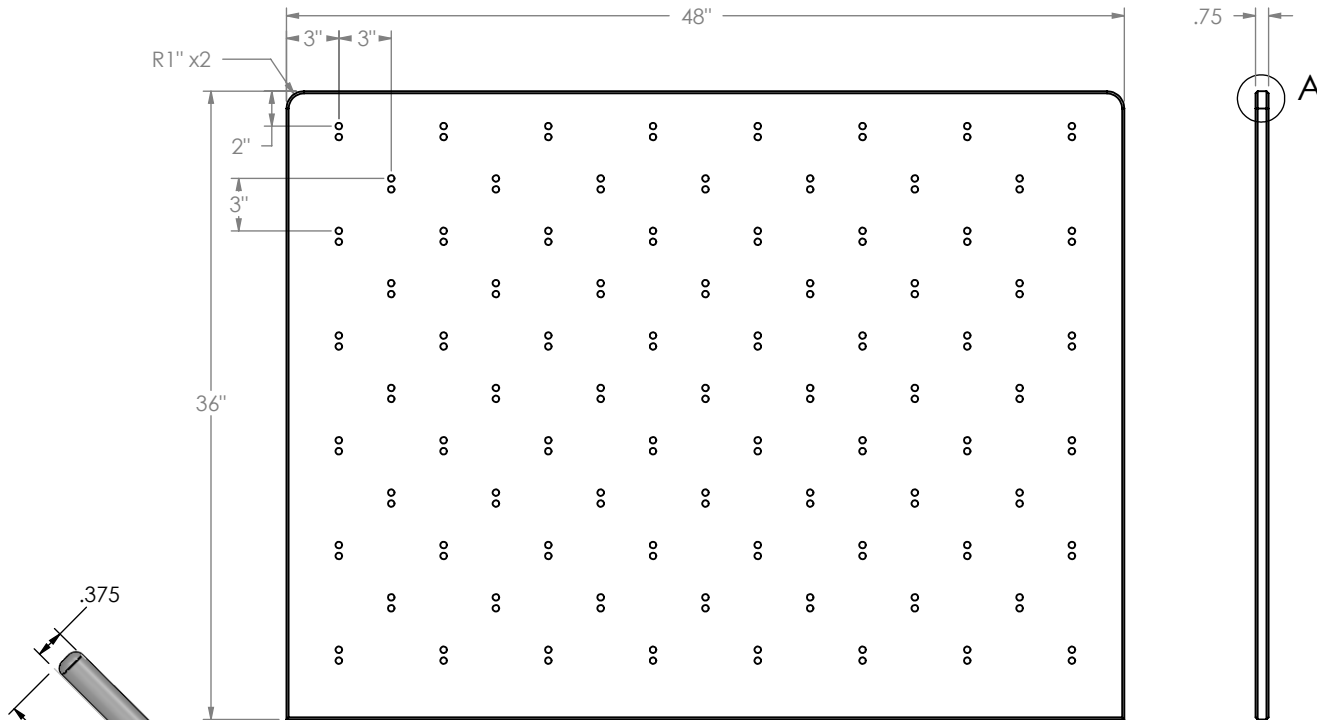
"APB" Acrylic Pegboard

Acrylic pegboards are made of 3/4" thick clear acrylic board.

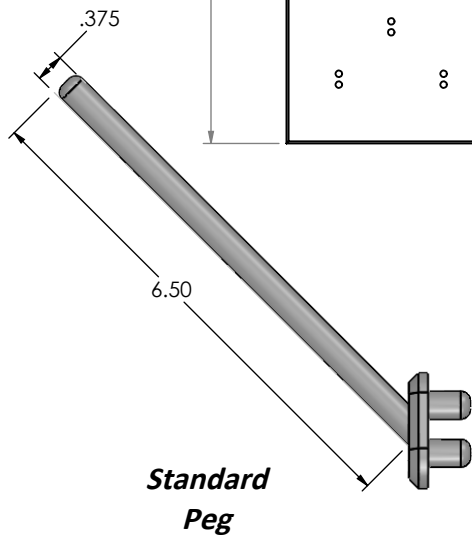
Features

- 48"w x 36"h x 3/4"d
- 83 - 6.5" long 3/8" diameter White Polypropylene pegs
- Eased and flame polished edges
- 45° Beveled Edge

Product Dimensions



DETAIL A
SCALE 1 : 2



Standard Peg

PROPRIETARY AND CONFIDENTIAL
THE INFORMATION CONTAINED IN THIS DRAWING IS THE SOLE PROPERTY OF INTER DYNE SYSTEMS. ANY REPRODUCTION IN PART OR AS A WHOLE WITHOUT THE WRITTEN PERMISSION OF INTERDYNE SYSTEMS IS PROHIBITED.

UNLESS OTHERWISE SPECIFIED:		NAME	DATE	INTER DYNE SYSTEM, INC 676 E.Ellis Rd., Norton Shores, MI 49441 Phone: 231-799-8760 Fax: 231-799-9690
DIMENSIONS ARE IN INCHES TOLERANCES: FRACTIONAL ± ANGULAR: MACH ± BEND ± TWO PLACE DECIMAL ± THREE PLACE DECIMAL ±		DRAWN	ASR 11/13/2018	
INTERPRET GEOMETRIC TOLERANCING PER:		CHECKED		TITLE:
MATERIAL 3/4" Clear Acrylic		ENG APPR.		APB-4836
FINISH		MFG APPR.		
DO NOT SCALE DRAWING		Q.A.		SIZE
		COMMENTS:		DWG. NO.
				REV
				SCALE: 1:20
				WEIGHT:
				SHEET 1 OF 1