

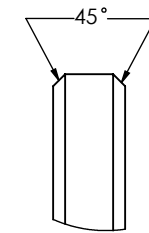
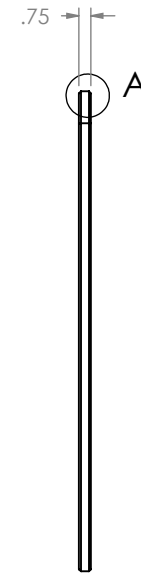
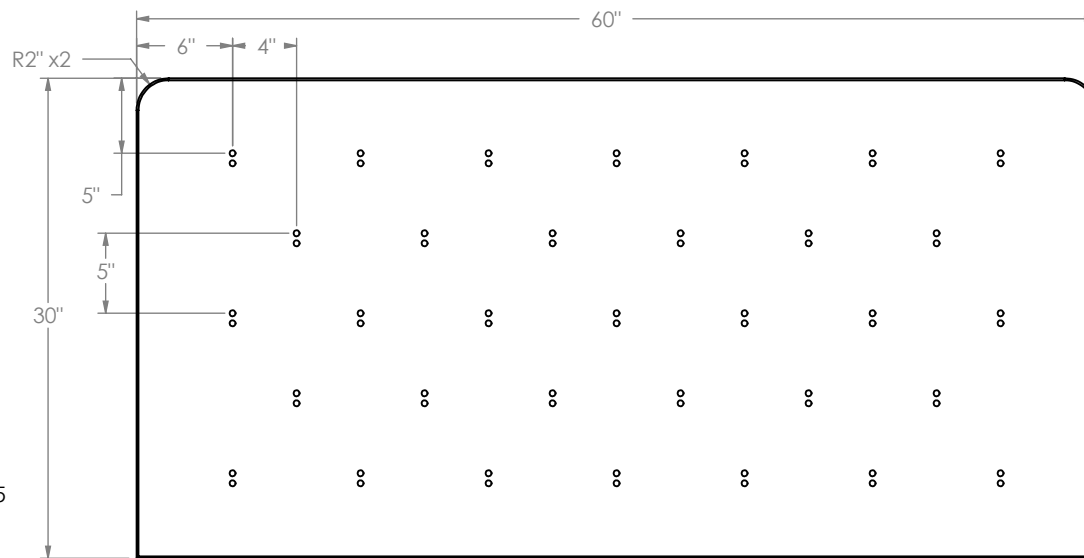
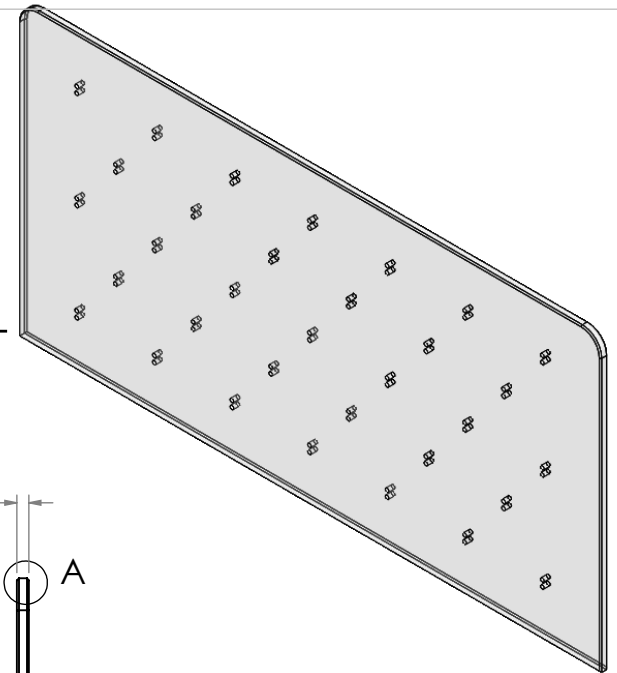
## "APB" Acrylic Pegboard

Acrylic pegboards are made of 3/4" thick clear acrylic board.

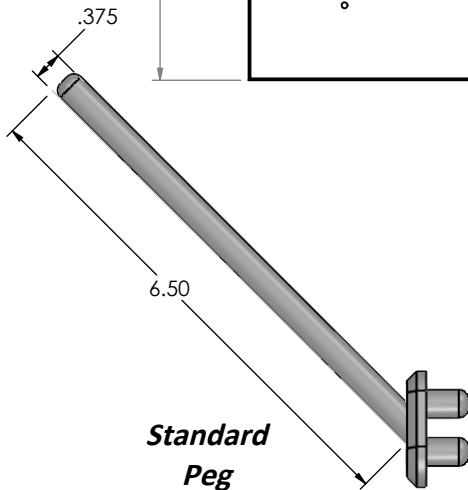
## Features

- 60"w x 30"h x 3/4"d
- 33 - 6.5" long 3/8" diameter White Polypropylene pegs
- Eased and flame polished edges
- 45° Beveled Edge

## Product Dimensions



DETAIL A  
SCALE 1 : 2



**Standard Peg**

UNLESS OTHERWISE SPECIFIED:

DIMENSIONS ARE IN INCHES  
TOLERANCES:  
FRACTIONAL ±  
ANGULAR: MACH ± BEND ±  
TWO PLACE DECIMAL ±  
THREE PLACE DECIMAL ±

INTERPRET GEOMETRIC TOLERANCING PER:

MATERIAL  
3/4" Clear Acrylic  
FINISH

DO NOT SCALE DRAWING

	NAME	DATE
DRAWN	ASR	11/13/2018
CHECKED		
ENG APPR.		
MFG APPR.		
Q.A.		
COMMENTS:		

INTER DYNE SYSTEM, INC  
676 E.Ellis Rd., Norton Shores, MI 49441  
Phone: 231-799-8760 Fax: 231-799-9690

TITLE:

**APB-6030**

SIZE	DWG. NO.	REV
<b>A</b>		

SCALE: 1:20 WEIGHT: SHEET 1 OF 1

**PROPRIETARY AND CONFIDENTIAL**  
THE INFORMATION CONTAINED IN THIS DRAWING IS THE SOLE PROPERTY OF INTER DYNE SYSTEMS. ANY REPRODUCTION IN PART OR AS A WHOLE WITHOUT THE WRITTEN PERMISSION OF INTERDYNE SYSTEMS IS PROHIBITED.