

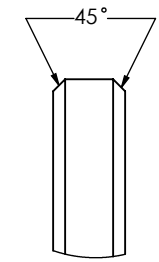
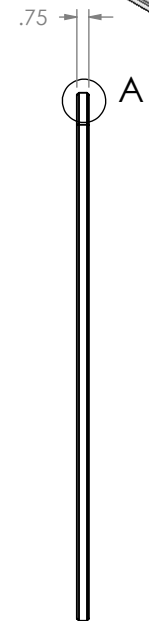
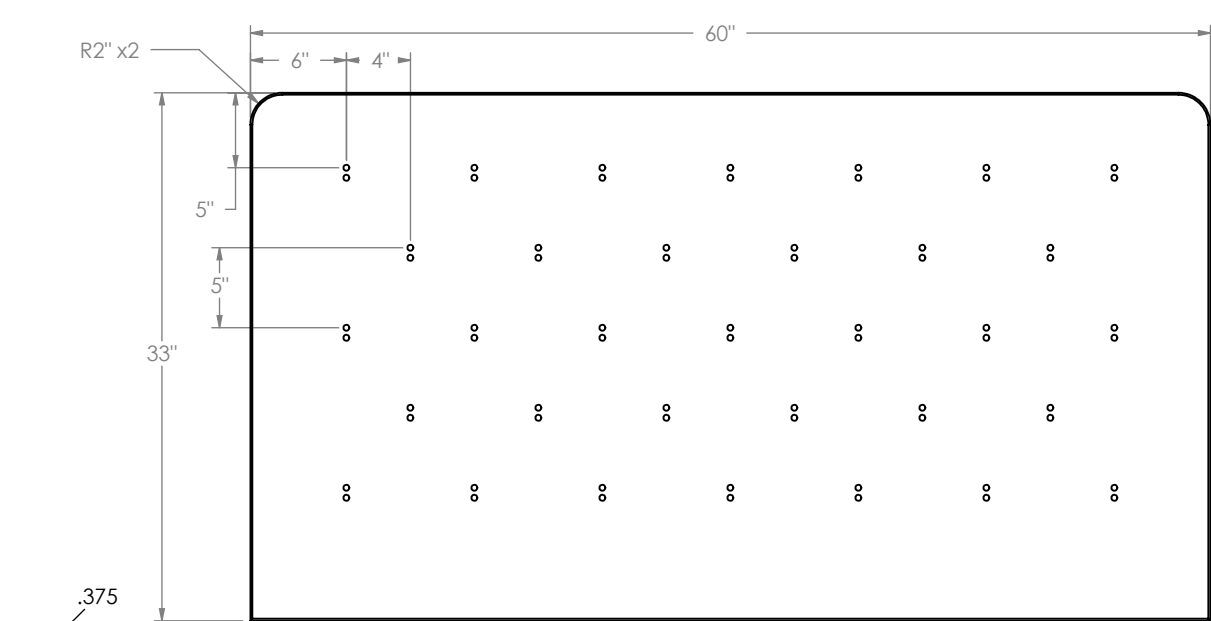
"APB" Acrylic Pegboard

Acrylic pegboards are made of 3/4" thick clear acrylic board.

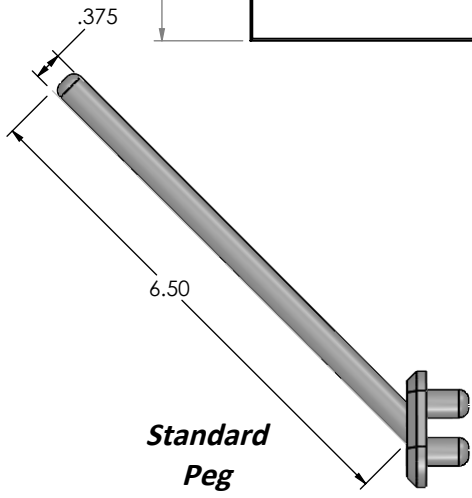
Features

- 60"w x 33"h x 3/4"d
- 33 - 6.5" long 3/8" diameter White Polypropylene pegs
- Eased and flame polished edges
- 45° Beveled Edge

Product Dimensions



DETAIL A
SCALE 1 : 2



Standard Peg

PROPRIETARY AND CONFIDENTIAL
THE INFORMATION CONTAINED IN THIS DRAWING IS THE SOLE PROPERTY OF INTER DYNE SYSTEMS. ANY REPRODUCTION IN PART OR AS A WHOLE WITHOUT THE WRITTEN PERMISSION OF INTERDYNE SYSTEMS IS PROHIBITED.

UNLESS OTHERWISE SPECIFIED:		NAME	DATE
DIMENSIONS ARE IN INCHES		DRAWN	ASR 11/13/2018
TOLERANCES:		CHECKED	
FRACTIONAL ±		ENG APPR.	
ANGULAR: MACH ± BEND ±		MFG APPR.	
TWO PLACE DECIMAL ±		Q.A.	
THREE PLACE DECIMAL ±		COMMENTS:	
INTERPRET GEOMETRIC TOLERANCING PER:			
MATERIAL			
3/4" Clear Acrylic			
FINISH			
DO NOT SCALE DRAWING			

INTER DYNE SYSTEM, INC 676 E.Ellis Rd., Norton Shores, MI 49441 Phone: 231-799-8760 Fax: 231-799-9690		
TITLE: APB-6033		
SIZE A	DWG. NO.	REV
SCALE: 1:20	WEIGHT:	SHEET 1 OF 1