

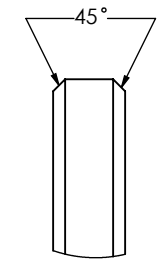
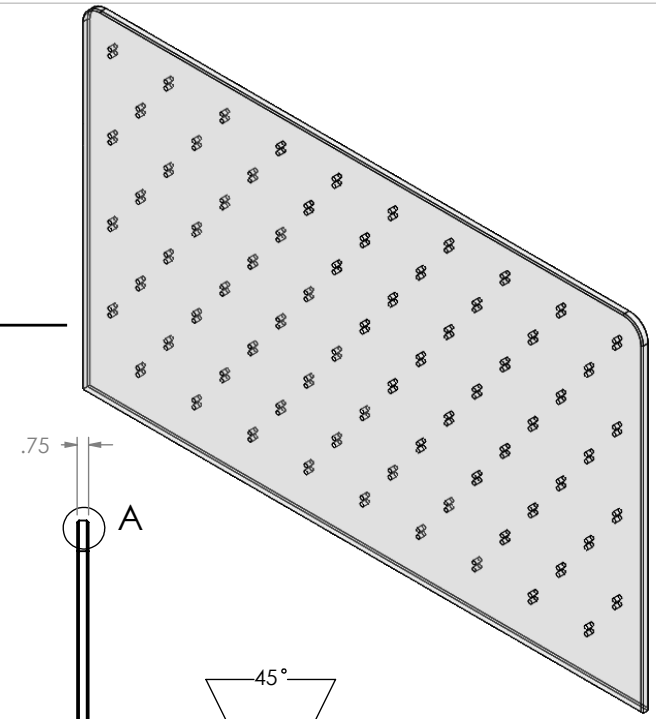
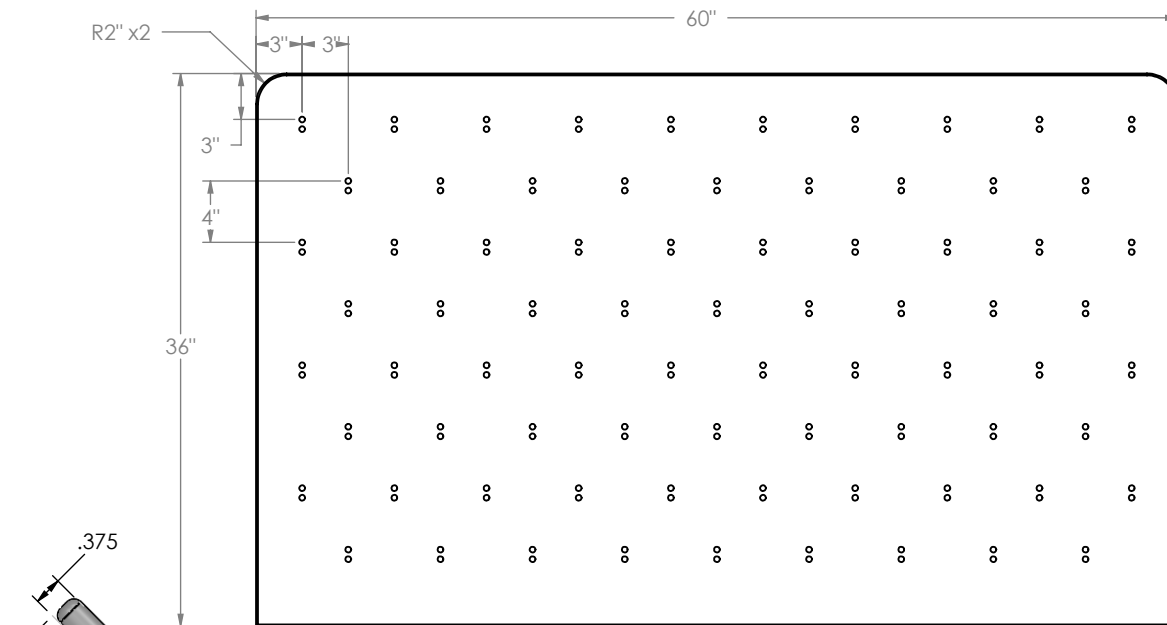
"APB" Acrylic Pegboard

Acrylic pegboards are made of 3/4" thick clear acrylic board.

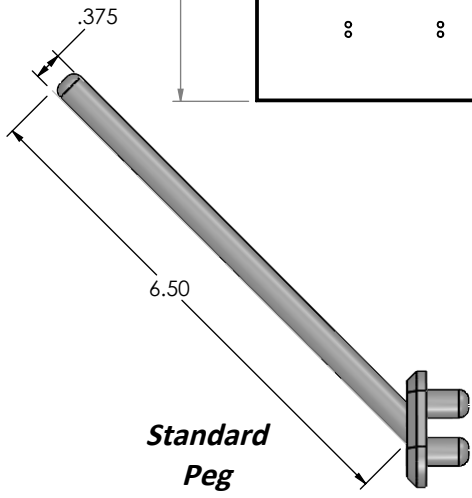
Features

- 60"w x 36"h x 3/4"d
- 72 - 6.5" long 3/8" diameter White Polypropylene pegs
- Eased and flame polished edges
- 45° Beveled Edge

Product Dimensions



DETAIL A
SCALE 1 : 2



Standard Peg

UNLESS OTHERWISE SPECIFIED:		NAME	DATE	INTER DYNE SYSTEM, INC 676 E.Ellis Rd., Norton Shores, MI 49441 Phone: 231-799-8760 Fax: 231-799-9690			
DIMENSIONS ARE IN INCHES TOLERANCES: FRACTIONAL ± ANGULAR: MACH ± BEND ± TWO PLACE DECIMAL ± THREE PLACE DECIMAL ±		DRAWN	ASR			11/13/2018	
<p>PROPRIETARY AND CONFIDENTIAL</p> <p>THE INFORMATION CONTAINED IN THIS DRAWING IS THE SOLE PROPERTY OF INTER DYNE SYSTEMS. ANY REPRODUCTION IN PART OR AS A WHOLE WITHOUT THE WRITTEN PERMISSION OF INTERDYNE SYSTEMS IS PROHIBITED.</p>		CHECKED			TITLE: APB-6036		
		ENG APPR.					
		INTERPRET GEOMETRIC TOLERANCING PER:	MFG APPR.				
MATERIAL 3/4" Clear Acrylic	FINISH	Q.A.			SIZE A	DWG. NO.	REV
DO NOT SCALE DRAWING		COMMENTS:			SCALE: 1:20	WEIGHT:	SHEET 1 OF 1