

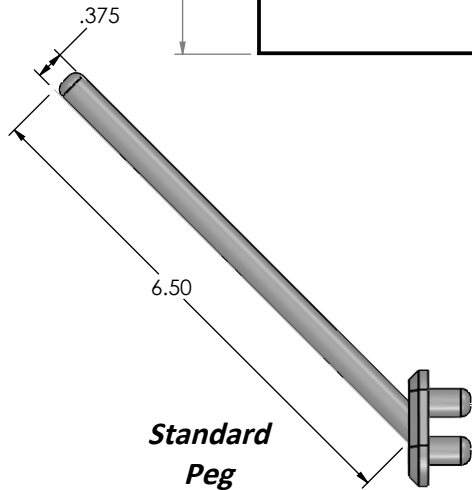
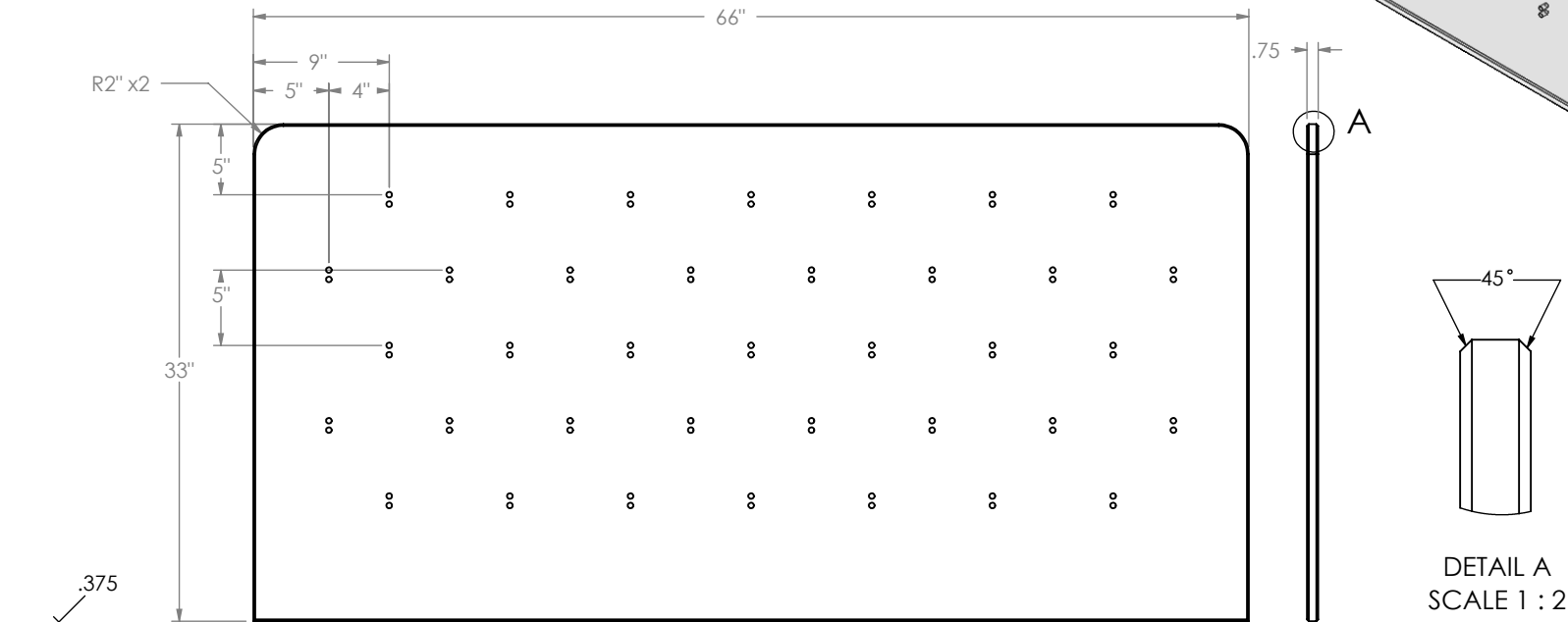
"APB" Acrylic Pegboard

Acrylic pegboards are made of 3/4" thick clear acrylic board.

Features

- 66"w x 33"h x 3/4"d
- 37 - 6.5" long 3/8" diameter White Polypropylene pegs
- Eased and flame polished edges
- 45° Beveled Edge

Product Dimensions



Standard Peg

PROPRIETARY AND CONFIDENTIAL
 THE INFORMATION CONTAINED IN THIS DRAWING IS THE SOLE PROPERTY OF INTER DYNE SYSTEMS. ANY REPRODUCTION IN PART OR AS A WHOLE WITHOUT THE WRITTEN PERMISSION OF INTERDYNE SYSTEMS IS PROHIBITED.

UNLESS OTHERWISE SPECIFIED:

DIMENSIONS ARE IN INCHES
 TOLERANCES:
 FRACTIONAL ±
 ANGULAR: MACH ± BEND ±
 TWO PLACE DECIMAL ±
 THREE PLACE DECIMAL ±

INTERPRET GEOMETRIC TOLERANCING PER:

MATERIAL
 3/4" Clear Acrylic
 FINISH

DO NOT SCALE DRAWING

	NAME	DATE
DRAWN	ASR	11/13/2018
CHECKED		
ENG APPR.		
MFG APPR.		
Q.A.		
COMMENTS:		

INTER DYNE SYSTEM, INC 676 E.Ellis Rd., Norton Shores, MI 49441 Phone: 231-799-8760 Fax: 231-799-9690		
TITLE:		
<h1>APB-6633</h1>		
SIZE	DWG. NO.	REV
A		
SCALE: 1:20	WEIGHT:	SHEET 1 OF 1