

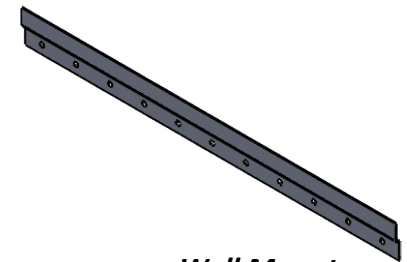
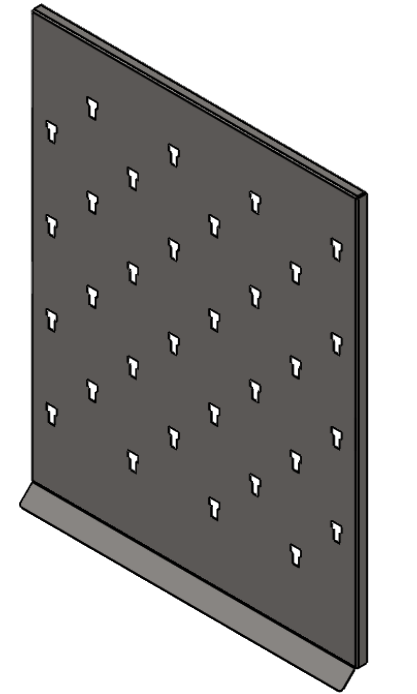
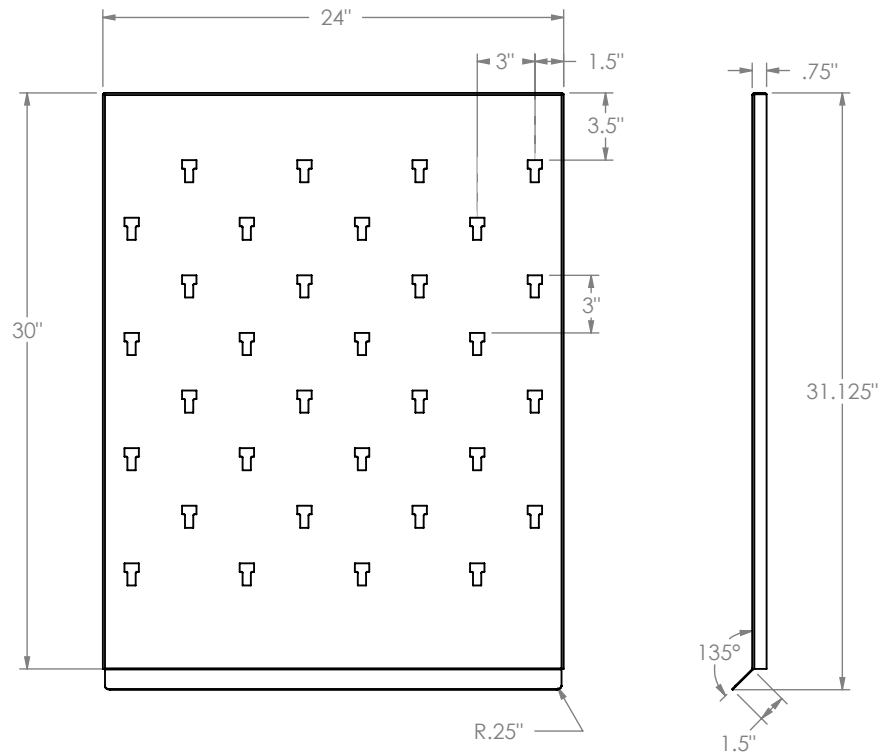
"B" Baron Series

B Series pegboards have a drop deflector.

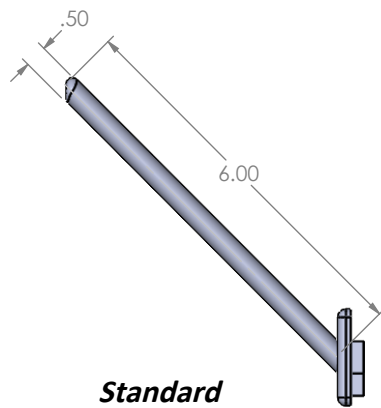
Features

- 24"w x 30"h x 3/4"d
- 32-6" long 1/2" diameter white Polypropylene pegs
- Autoclavable
- Constructed from 20 gauge, type 304 stainless steel, polished to a #4 finish
- Wall mount bracket shipped with each pegboard

Product Dimensions



Wall Mount Bracket



Standard Peg

PROPRIETARY AND CONFIDENTIAL
 THE INFORMATION CONTAINED IN THIS DRAWING IS THE SOLE PROPERTY OF INTER DYNE SYSTEMS. ANY REPRODUCTION IN PART OR AS A WHOLE WITHOUT THE WRITTEN PERMISSION OF INTERDYNE SYSTEMS IS PROHIBITED.

UNLESS OTHERWISE SPECIFIED:		NAME	DATE
DIMENSIONS ARE IN INCHES	DRAWN	ASR	11/1/2018
TOLERANCES:	CHECKED		
FRACTIONAL ±	ENG APPR.		
ANGULAR: MACH ± BEND ±	MFG APPR.		
TWO PLACE DECIMAL ±	Q.A.		
THREE PLACE DECIMAL ±	COMMENTS:		
INTERPRET GEOMETRIC TOLERANCING PER:	TITLE: B2430		
MATERIAL	SIZE	DWG. NO.	REV
STAINLESS STEEL 20 GA	A		
FINISH	SCALE: 1:20	WEIGHT:	SHEET 1 OF 1
TYPE 304 #4			
DO NOT SCALE DRAWING			