

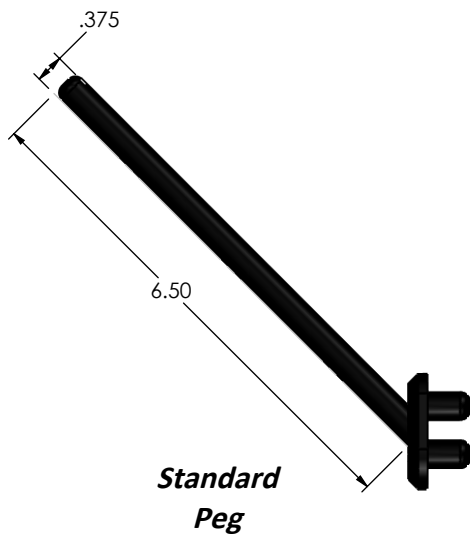
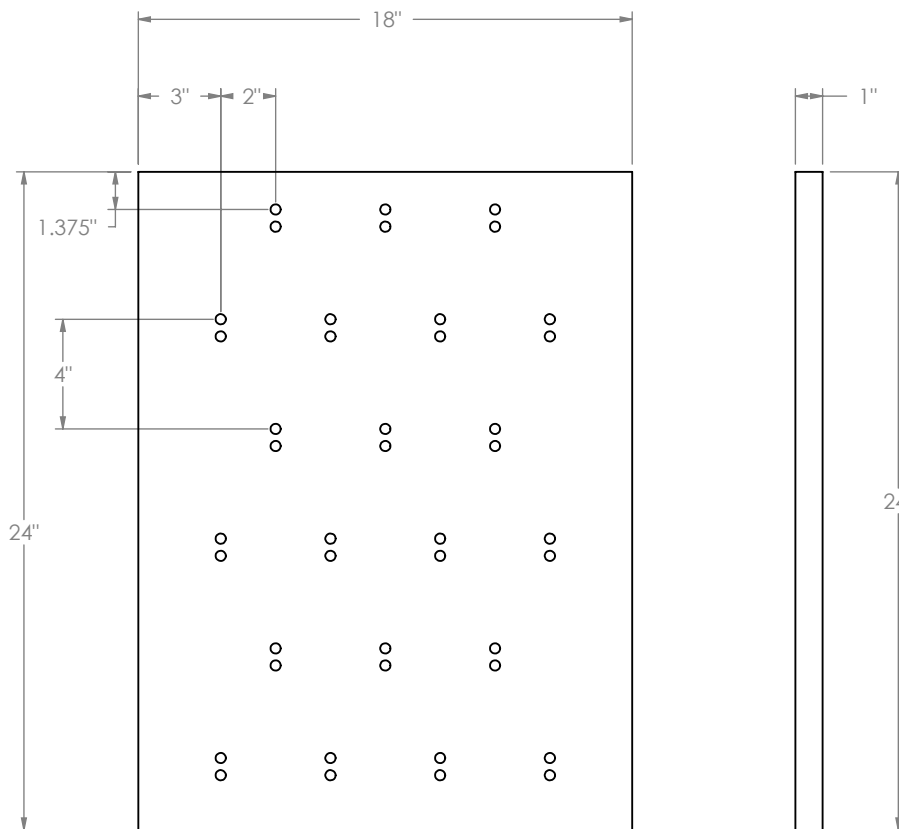
"EPB" Epoxy Pegboard

Epoxy pegboards are made of 1" thick black epoxy.

Features

- 18"w x 24"h x 1"d
- 21 - 6.5" long 3/8" diameter Black Polypropylene pegs
- White is available upon request

Product Dimensions



UNLESS OTHERWISE SPECIFIED:		NAME	DATE
DIMENSIONS ARE IN INCHES		DRAWN	ASR 11/12/2018
TOLERANCES:		CHECKED	
FRACTIONAL ±		ENG APPR.	
ANGULAR: MACH ± BEND ±		MFG APPR.	
TWO PLACE DECIMAL ±		Q.A.	
THREE PLACE DECIMAL ±		COMMENTS:	
INTERPRET GEOMETRIC TOLERANCING PER:		INTER DYNE SYSTEM, INC 676 E.Ellis Rd., Norton Shores, MI 49441 Phone: 231-799-8760 Fax: 231-799-9690	
MATERIAL		TITLE:	
1" Black Epoxy		EPB-1824	
FINISH		SIZE	DWG. NO.
DO NOT SCALE DRAWING		A	
		SCALE: 1:20	WEIGHT:
		SHEET 1 OF 1	

PROPRIETARY AND CONFIDENTIAL
THE INFORMATION CONTAINED IN THIS DRAWING IS THE SOLE PROPERTY OF INTER DYNE SYSTEMS. ANY REPRODUCTION IN PART OR AS A WHOLE WITHOUT THE WRITTEN PERMISSION OF INTERDYNE SYSTEMS IS PROHIBITED.