

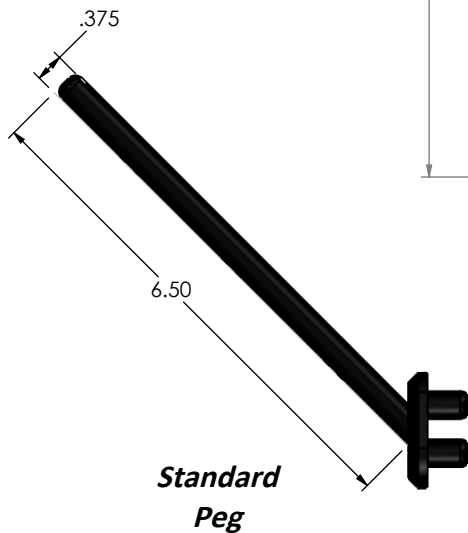
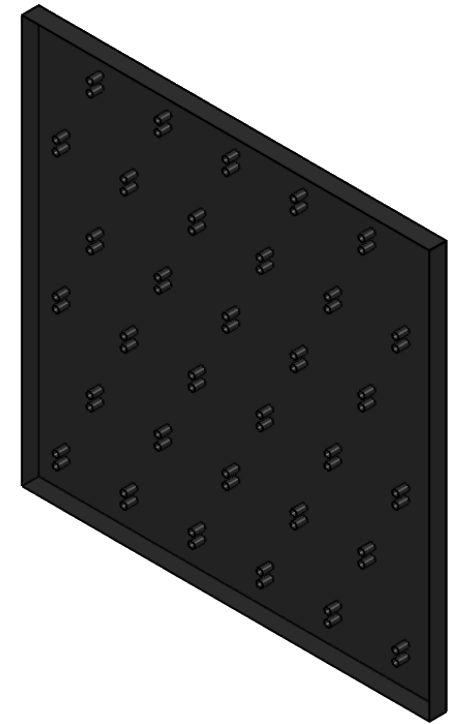
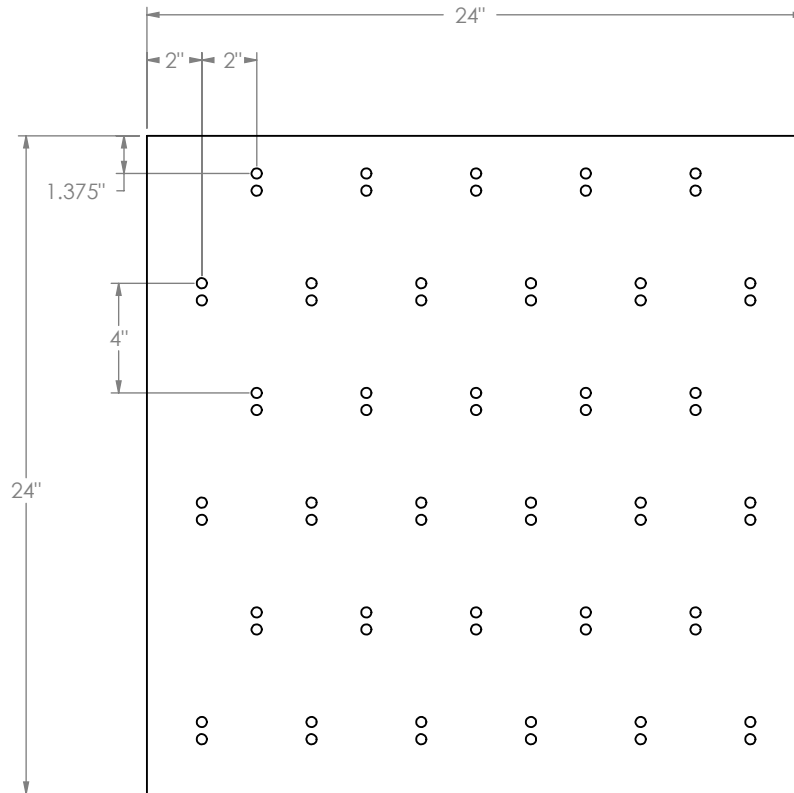
"EPB" Epoxy Pegboard

Product Dimensions

Epoxy pegboards are made of 1" thick black epoxy.

Features

- 24"w x 24"h x 1"d
- 33 - 6.5" long 3/8" diameter Black Polypropylene pegs
- White is available upon request



PROPRIETARY AND CONFIDENTIAL
 THE INFORMATION CONTAINED IN THIS DRAWING IS THE SOLE PROPERTY OF INTER DYNE SYSTEMS. ANY REPRODUCTION IN PART OR AS A WHOLE WITHOUT THE WRITTEN PERMISSION OF INTERDYNE SYSTEMS IS PROHIBITED.

UNLESS OTHERWISE SPECIFIED:

DIMENSIONS ARE IN INCHES
 TOLERANCES:
 FRACTIONAL ±
 ANGULAR: MACH ± BEND ±
 TWO PLACE DECIMAL ±
 THREE PLACE DECIMAL ±

INTERPRET GEOMETRIC TOLERANCING PER:

MATERIAL
1" Black Epoxy
 FINISH

DO NOT SCALE DRAWING

	NAME	DATE
DRAWN	ASR	11/12/2018
CHECKED		
ENG APPR.		
MFG APPR.		
Q.A.		
COMMENTS:		

INTER DYNE SYSTEM, INC 676 E.Ellis Rd., Norton Shores, MI 49441 Phone: 231-799-8760 Fax: 231-799-9690		
TITLE:		
EPB-2424		
SIZE	DWG. NO.	REV
A		
SCALE: 1:20	WEIGHT:	SHEET 1 OF 1