

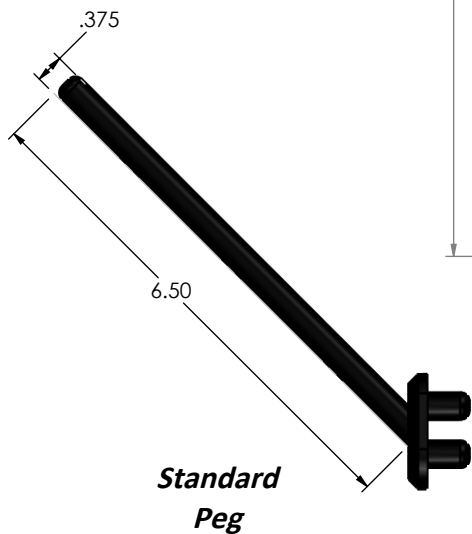
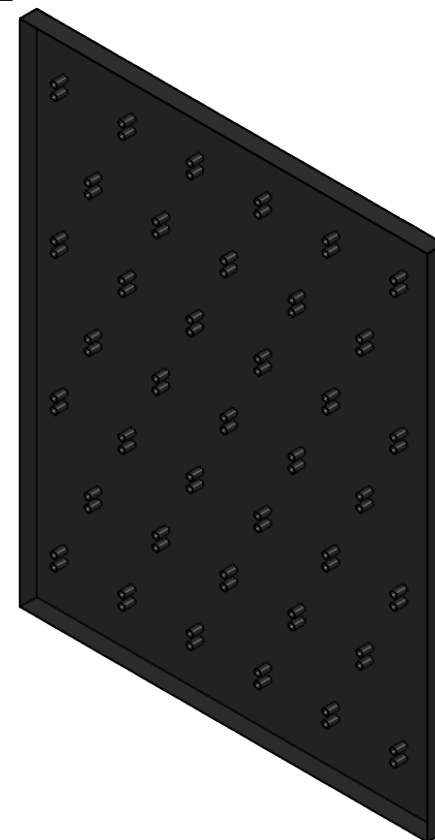
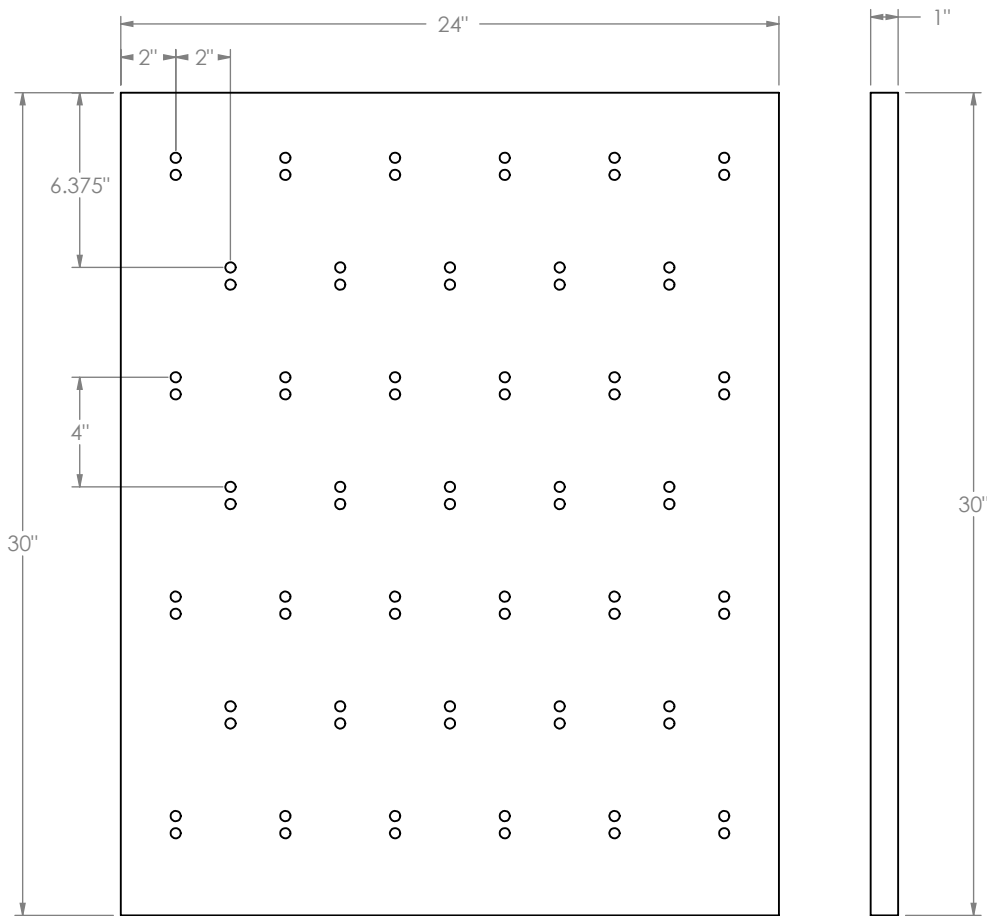
"EPB" Epoxy Pegboard

Product Dimensions

Epoxy pegboards are made of 1" thick black epoxy.

Features

- 24"w x 30"h x 1"d
- 39 - 6.5" long 3/8" diameter Black Polypropylene pegs
- White is available upon request



UNLESS OTHERWISE SPECIFIED:		NAME	DATE	INTER DYNE SYSTEM, INC 676 E.Ellis Rd., Norton Shores, MI 49441 Phone: 231-799-8760 Fax: 231-799-9690	
DIMENSIONS ARE IN INCHES TOLERANCES: FRACTIONAL ± ANGULAR: MACH ± BEND ± TWO PLACE DECIMAL ± THREE PLACE DECIMAL ±		DRAWN	ASR	11/12/2018	TITLE: EPB-2430
INTERPRET GEOMETRIC TOLERANCING PER:		CHECKED			SIZE DWG. NO. REV
MATERIAL 1" Black Epoxy		ENG APPR.			
FINISH		MFG APPR.			SCALE: 1:20 WEIGHT: SHEET 1 OF 1
DO NOT SCALE DRAWING		Q.A.			
<p>PROPRIETARY AND CONFIDENTIAL</p> <p>THE INFORMATION CONTAINED IN THIS DRAWING IS THE SOLE PROPERTY OF INTER DYNE SYSTEMS. ANY REPRODUCTION IN PART OR AS A WHOLE WITHOUT THE WRITTEN PERMISSION OF INTERDYNE SYSTEMS IS PROHIBITED.</p>		COMMENTS:			