

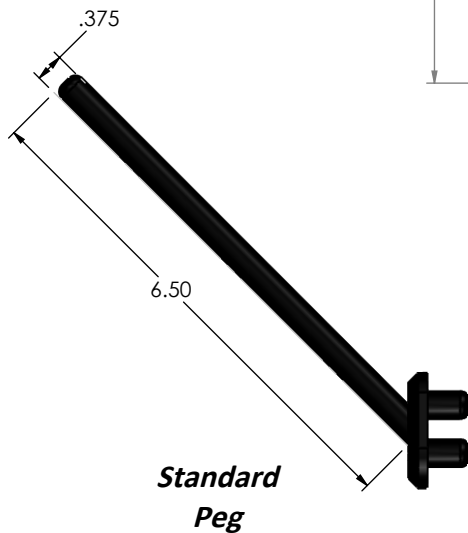
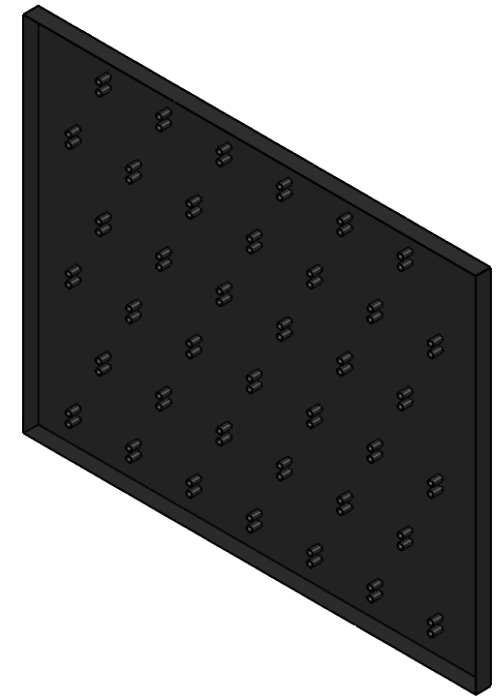
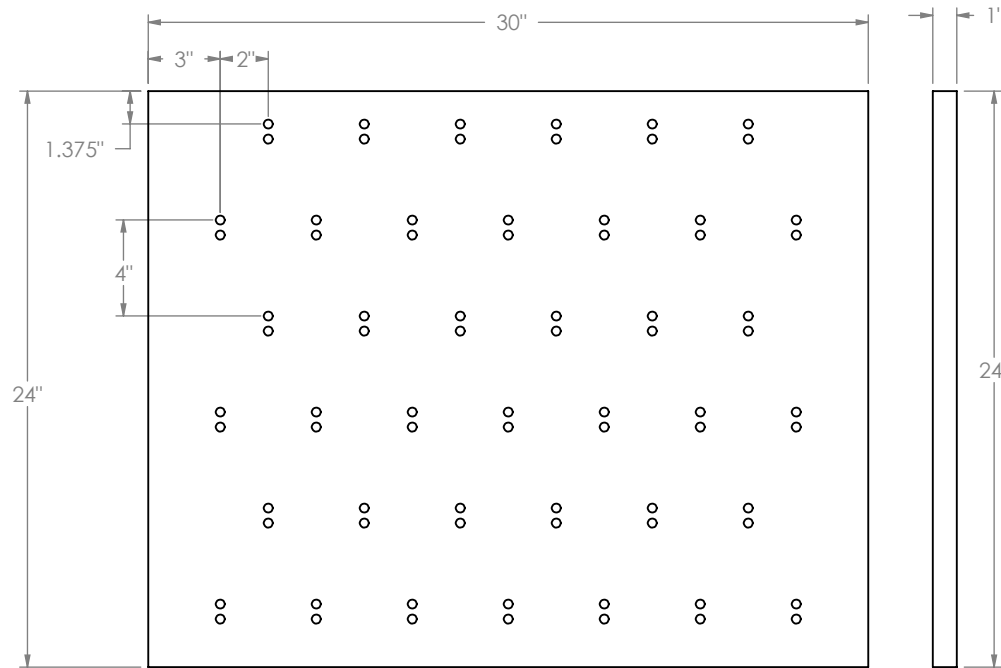
# "EPB" Epoxy Pegboard

# Product Dimensions

Epoxy pegboards are made of 1" thick black epoxy.

## Features

- 30"w x 24"h x 1"d
- 39 - 6.5" long 3/8" diameter Black Polypropylene pegs
- White is available upon request



**PROPRIETARY AND CONFIDENTIAL**  
 THE INFORMATION CONTAINED IN THIS DRAWING IS THE SOLE PROPERTY OF INTER DYNE SYSTEMS. ANY REPRODUCTION IN PART OR AS A WHOLE WITHOUT THE WRITTEN PERMISSION OF INTERDYNE SYSTEMS IS PROHIBITED.

UNLESS OTHERWISE SPECIFIED:		NAME	DATE	INTER DYNE SYSTEM, INC 676 E.Ellis Rd., Norton Shores, MI 49441 Phone: 231-799-8760 Fax: 231-799-9690	
DIMENSIONS ARE IN INCHES		DRAWN	ASR	11/12/2018	TITLE:  <b>EPB-3024</b>
TOLERANCES:		CHECKED			
FRACTIONAL ±		ENG APPR.			
ANGULAR: MACH ± BEND ±		MFG APPR.			
TWO PLACE DECIMAL ±		Q.A.			SIZE DWG. NO. REV
THREE PLACE DECIMAL ±		COMMENTS:			<b>A</b>
INTERPRET GEOMETRIC TOLERANCING PER:					SCALE: 1:20 WEIGHT: SHEET 1 OF 1
MATERIAL					
1" Black Epoxy					
FINISH					
DO NOT SCALE DRAWING					