

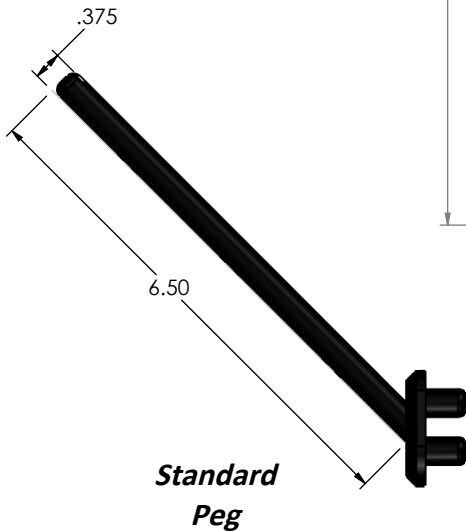
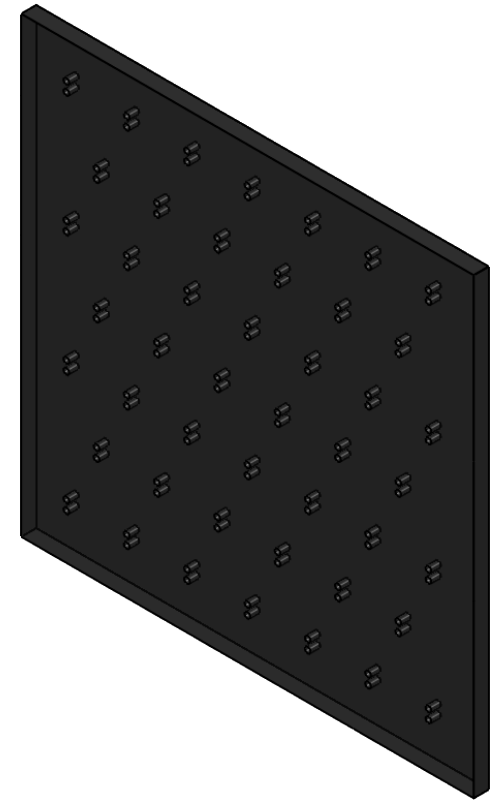
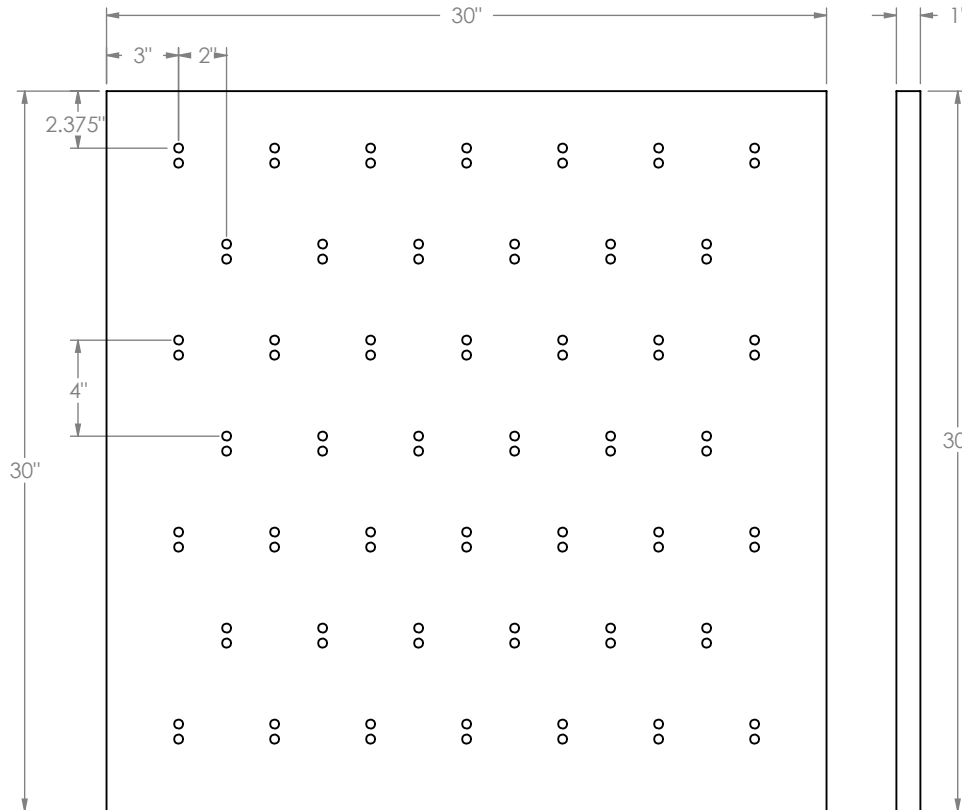
# "EPB" Epoxy Pegboard

Epoxy pegboards are made of 1" thick black epoxy.

# Product Dimensions

## Features

- 30"w x 30"h x 1"d
- 46 - 6.5" long 3/8" diameter Black Polypropylene pegs
- White is available upon request



**Standard Peg**

**PROPRIETARY AND CONFIDENTIAL**  
 THE INFORMATION CONTAINED IN THIS DRAWING IS THE SOLE PROPERTY OF INTER DYNE SYSTEMS. ANY REPRODUCTION IN PART OR AS A WHOLE WITHOUT THE WRITTEN PERMISSION OF INTERDYNE SYSTEMS IS PROHIBITED.

UNLESS OTHERWISE SPECIFIED:		NAME	DATE
DIMENSIONS ARE IN INCHES	DRAWN	ASR	11/12/2018
TOLERANCES:	CHECKED		
FRACTIONAL ±	ENG APPR.		
ANGULAR: MACH ± BEND ±	MFG APPR.		
TWO PLACE DECIMAL ±	Q.A.		
THREE PLACE DECIMAL ±	COMMENTS:		
INTERPRET GEOMETRIC TOLERANCING PER:			
MATERIAL			
1" Black Epoxy			
FINISH			
DO NOT SCALE DRAWING			

INTER DYNE SYSTEM, INC 676 E.Ellis Rd., Norton Shores, MI 49441 Phone: 231-799-8760 Fax: 231-799-9690		
TITLE:		
<h1>EPB-3030</h1>		
SIZE	DWG. NO.	REV
<b>A</b>		
SCALE: 1:20	WEIGHT:	SHEET 1 OF 1