

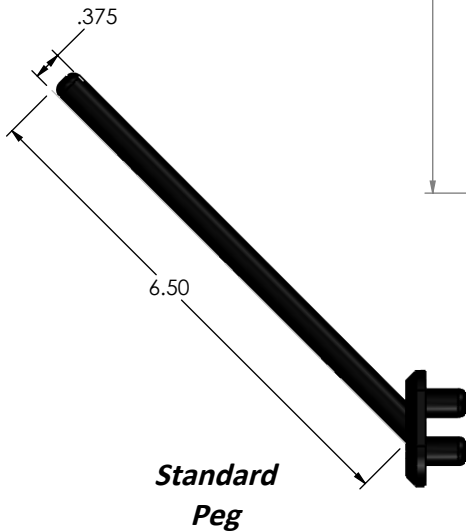
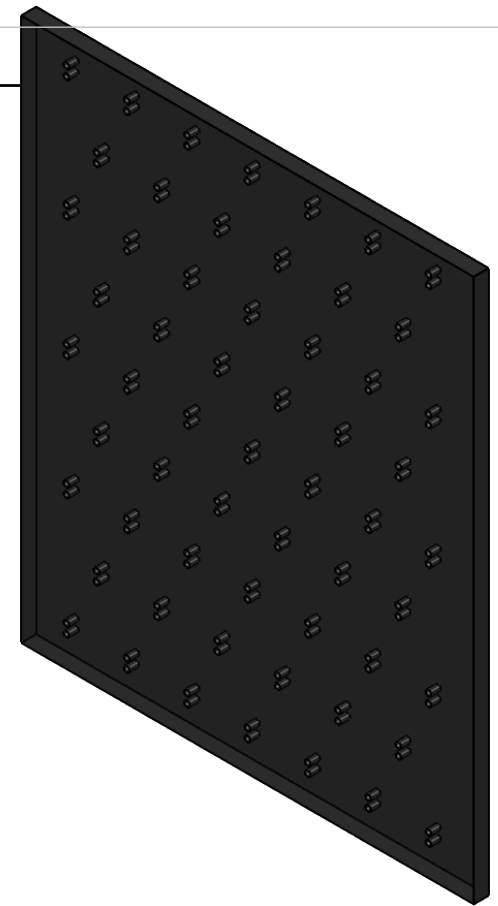
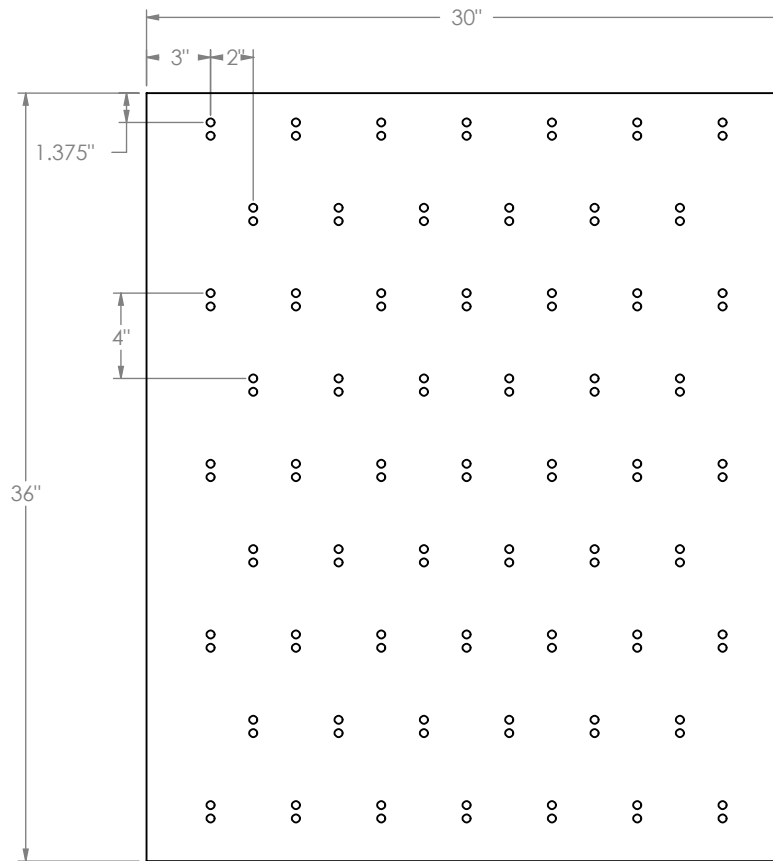
# "EPB" Epoxy Pegboard

Epoxy pegboards are made of 1" thick black epoxy.

## Product Dimensions

### Features

- 30"w x 36"h x 1"d
- 59 - 6.5" long 3/8" diameter Black Polypropylene pegs
- White is available upon request



UNLESS OTHERWISE SPECIFIED:		NAME	DATE	INTER DYNE SYSTEM, INC 676 E.Ellis Rd., Norton Shores, MI 49441 Phone: 231-799-8760 Fax: 231-799-9690	
DIMENSIONS ARE IN INCHES TOLERANCES: FRACTIONAL ± ANGULAR: MACH ± BEND ± TWO PLACE DECIMAL ± THREE PLACE DECIMAL ±		DRAWN	ASR	11/12/2018	TITLE:
INTERPRET GEOMETRIC TOLERANCING PER:		CHECKED			EPB-3036
MATERIAL		ENG APPR.			
FINISH		MFG APPR.			SIZE DWG. NO. REV
DO NOT SCALE DRAWING		Q.A.			A
COMMENTS:				SCALE: 1:20	WEIGHT:
PROPRIETARY AND CONFIDENTIAL THE INFORMATION CONTAINED IN THIS DRAWING IS THE SOLE PROPERTY OF INTER DYNE SYSTEMS. ANY REPRODUCTION IN PART OR AS A WHOLE WITHOUT THE WRITTEN PERMISSION OF INTERDYNE SYSTEMS IS PROHIBITED.				SHEET 1 OF 1	