

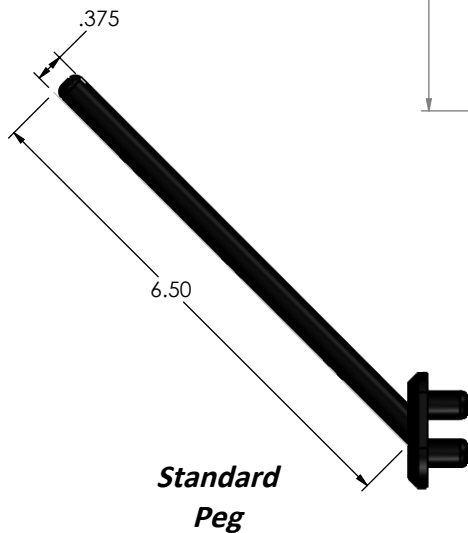
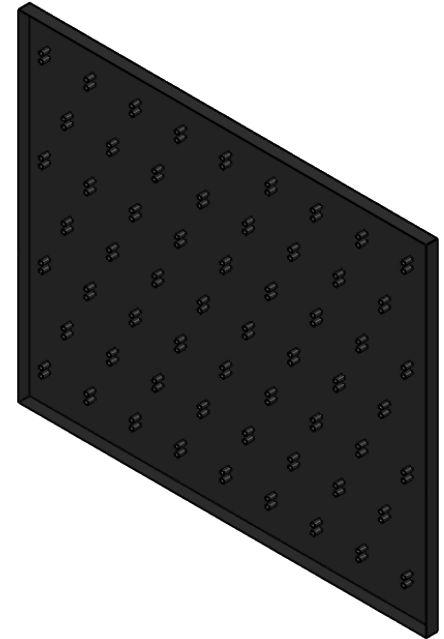
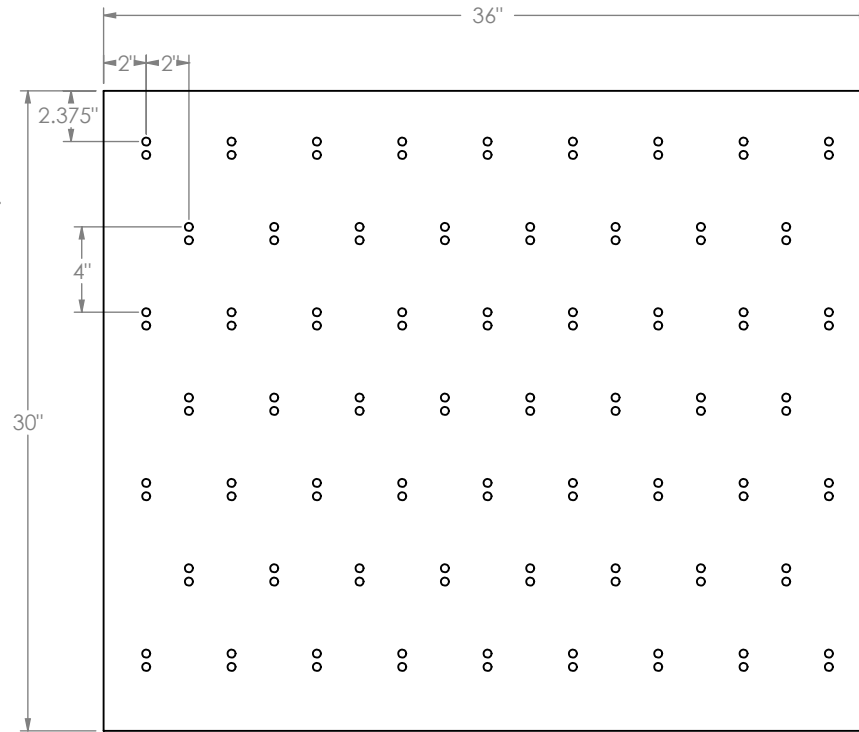
"EPB" Epoxy Pegboard

Product Dimensions

Epoxy pegboards are made of 1" thick black epoxy.

Features

- 36"w x 30"h x 1"d
- 60 - 6.5" long 3/8" diameter Black Polypropylene pegs
- White is available upon request



UNLESS OTHERWISE SPECIFIED:		NAME	DATE	INTER DYNE SYSTEM, INC 676 E.Ellis Rd., Norton Shores, MI 49441 Phone: 231-799-8760 Fax: 231-799-9690		
DIMENSIONS ARE IN INCHES TOLERANCES: FRACTIONAL ± ANGULAR: MACH ± BEND ± TWO PLACE DECIMAL ± THREE PLACE DECIMAL ±		DRAWN	ASR			11/12/2018
PROPRIETARY AND CONFIDENTIAL THE INFORMATION CONTAINED IN THIS DRAWING IS THE SOLE PROPERTY OF INTER DYNE SYSTEMS. ANY REPRODUCTION IN PART OR AS A WHOLE WITHOUT THE WRITTEN PERMISSION OF INTERDYNE SYSTEMS IS PROHIBITED.		CHECKED		TITLE: EPB-3630		
		ENG APPR.				
		MFG APPR.		Q.A.		
INTERPRET GEOMETRIC TOLERANCING PER:		COMMENTS:		SIZE	DWG. NO.	REV
MATERIAL 1" Black Epoxy				A		
FINISH				SCALE: 1:20		WEIGHT:
DO NOT SCALE DRAWING						SHEET 1 OF 1