

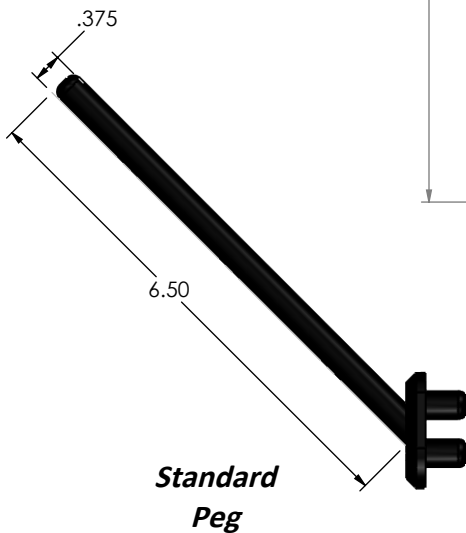
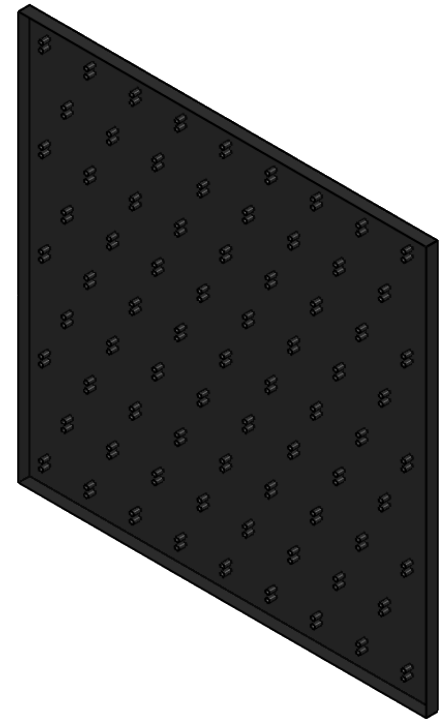
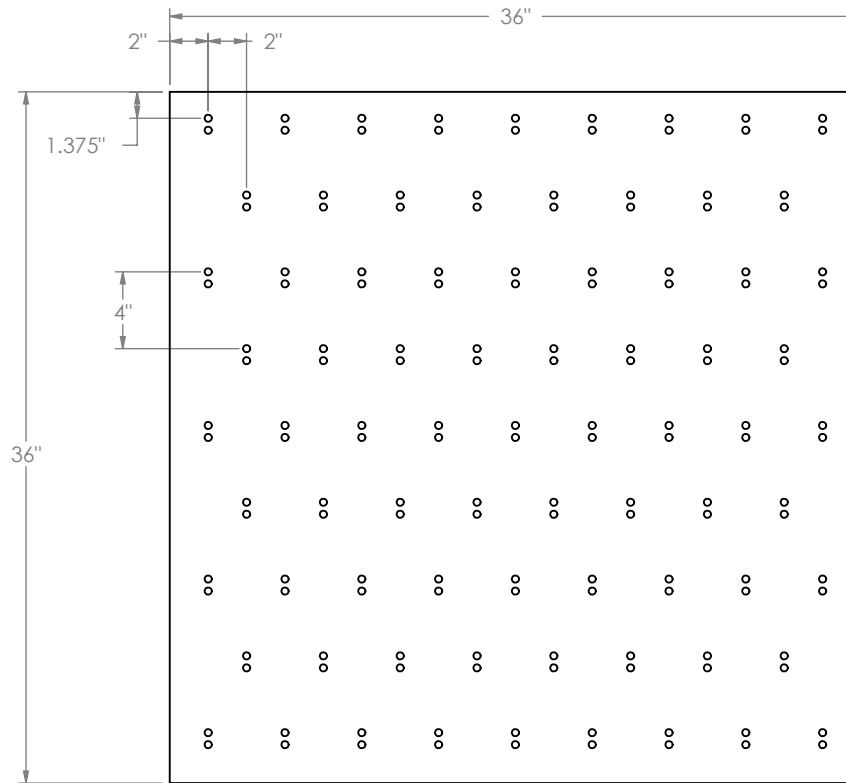
# "EPB" Epoxy Pegboard

Epoxy pegboards are made of 1" thick black epoxy.

# Product Dimensions

## Features

- 36"w x 36"h x 1"d
- 77 - 6.5" long 3/8" diameter Black Polypropylene pegs
- White is available upon request



UNLESS OTHERWISE SPECIFIED:		NAME	DATE	INTER DYNE SYSTEM, INC 676 E.Ellis Rd., Norton Shores, MI 49441 Phone: 231-799-8760 Fax: 231-799-9690	
DIMENSIONS ARE IN INCHES TOLERANCES: FRACTIONAL ± ANGULAR: MACH ± BEND ± TWO PLACE DECIMAL ± THREE PLACE DECIMAL ±		DRAWN	ASR	11/12/2018	TITLE:
INTERPRET GEOMETRIC TOLERANCING PER:		CHECKED			<b>EPB-3636</b>
MATERIAL		ENG APPR.			
FINISH		MFG APPR.			SIZE
DO NOT SCALE DRAWING		Q.A.			DWG. NO.
COMMENTS:					REV
SCALE: 1:20		WEIGHT:		SHEET 1 OF 1	

**PROPRIETARY AND CONFIDENTIAL**  
THE INFORMATION CONTAINED IN THIS DRAWING IS THE SOLE PROPERTY OF INTER DYNE SYSTEMS. ANY REPRODUCTION IN PART OR AS A WHOLE WITHOUT THE WRITTEN PERMISSION OF INTERDYNE SYSTEMS IS PROHIBITED.