

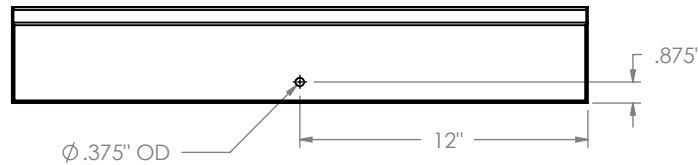
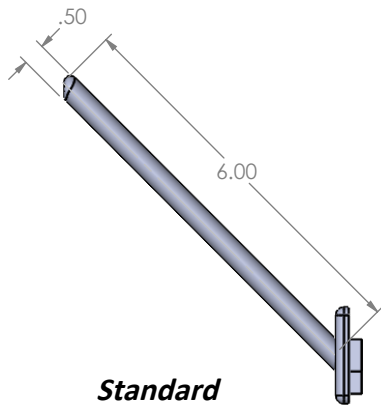
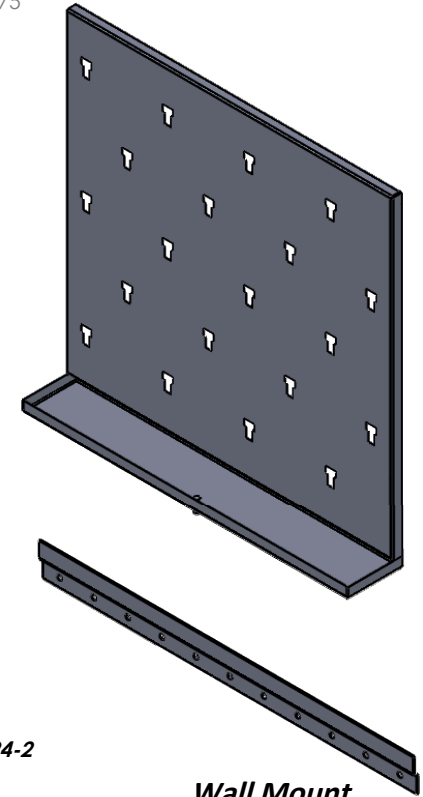
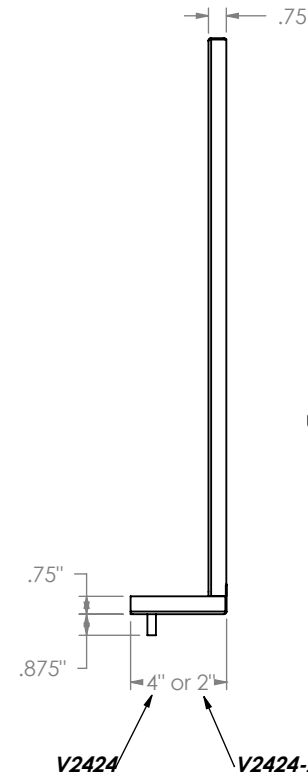
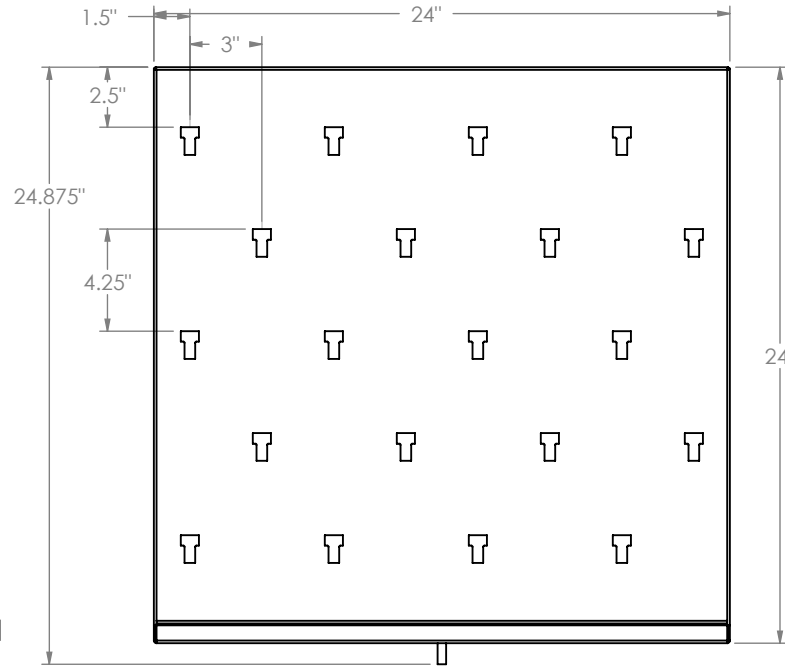
"V" Victoria Series

V Series pegboards have a catch drain and integral drip trough in 2" or 4" depth. All drip troughs some with a 36" clear flexible drain tube.

Features

- 24"w x 24"h x 3/4"d
- 20-6" long 1/2" diameter white Polypropylene pegs
- Autoclavable
- Constructed from 20 gauge, type 304 stainless steel, polished to a #4 finish
- Wall mount bracket shipped with each pegboard

Product Dimensions



PROPRIETARY AND CONFIDENTIAL
 THE INFORMATION CONTAINED IN THIS DRAWING IS THE SOLE PROPERTY OF INTER DYNE SYSTEMS. ANY REPRODUCTION IN PART OR AS A WHOLE WITHOUT THE WRITTEN PERMISSION OF INTERDYNE SYSTEMS IS PROHIBITED.

UNLESS OTHERWISE SPECIFIED:

DIMENSIONS ARE IN INCHES
 TOLERANCES:
 FRACTIONAL ±
 ANGULAR: MACH ± BEND ±
 TWO PLACE DECIMAL ±
 THREE PLACE DECIMAL ±

INTERPRET GEOMETRIC TOLERANCING PER:

MATERIAL
STAINLESS STEEL 20 GA
 FINISH
TYPE 304 #4

DO NOT SCALE DRAWING

	NAME	DATE
DRAWN	ASR	10/31/2018
CHECKED		
ENG APPR.		
MFG APPR.		
Q.A.		
COMMENTS:		

INTER DYNE SYSTEM, INC
 676 E.Ellis Rd., Norton Shores, MI 49441
 Phone: 231-799-8760 Fax: 231-799-9690

TITLE:
V2424 / V2424-2

SIZE	DWG. NO.	REV
A		
SCALE: 1:20	WEIGHT:	SHEET 1 OF 1