

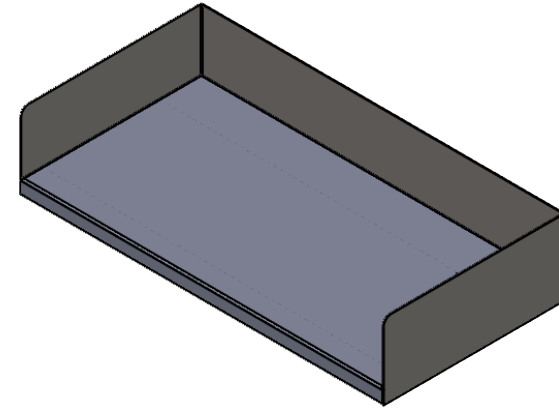
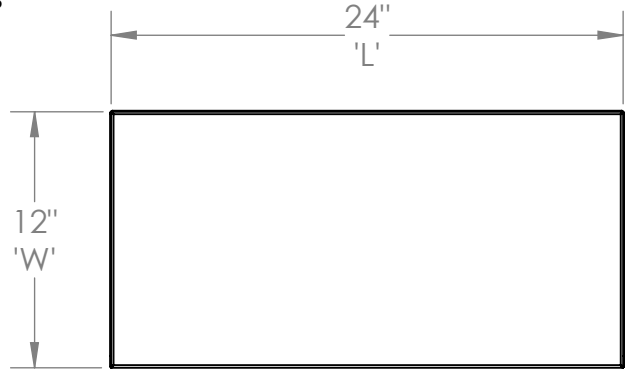
# "CS" CARBOY SHELF

Stainless Steel wall shelf with wrap around, XP rails, and mounting brackets

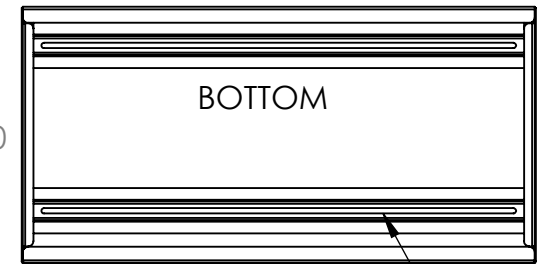
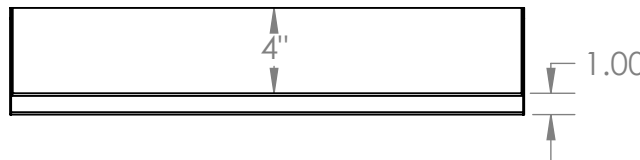
## Features

- 24"l x 12"w x 1"t
- Constructed from 18 gauge, type 304 stainless steel, polished to a #4 finish
- S/S wrap 4" tall welded to shelf
- XP-rails welded to underside
- Standard Widths of 12" or 16"
- Also available in custom widths
- **\*OPTION\*** (select from below)  
S/S mounting brackets

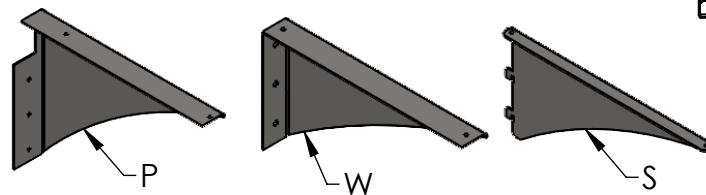
## Product Dimensions



NAME (CS-'L'-MOUNT-'W')	TYPE OF BRKT
CS-24-'W'	NO BRACKETS
CS-24-P-'W'	PEGBOARD MOUNT
CS-24-W-'W'	WALL MOUNT
CS-24-S-'W'	ADJ WALL MOUNT (REQUIRES WALL STANDARDS)



XP-24 (2)



**UNLESS OTHERWISE SPECIFIED:**

DIMENSIONS ARE IN INCHES  
TOLERANCES:  
ANGULAR ±2.50°  
ONE-PLACE ±0.5  
TWO-PLACE ±0.13

**PROPRIETARY AND CONFIDENTIAL**

THE INFORMATION CONTAINED IN THIS DRAWING IS THE SOLE PROPERTY OF INTER DYNE SYSTEMS. ANY REPRODUCTION IN PART OR AS A WHOLE WITHOUT THE WRITTEN PERMISSION OF INTER DYNE SYSTEMS IS PROHIBITED.

REV.	REVISION DESCRIPTION	DRAWN	CHECKED	DATE	COMMENTS:
A	STANDARD PRINT CREATED	ASR		10/01/20	

**QTY: N/A**



**INTER DYNE SYSTEMS, INC**  
676 E. Ellis Rd., Norton Shores, MI 49441  
Phone: 231-799-8760 Fax: 231-799-9690

**PART NO.**

CS-2412

MATERIAL: **18GA**

FINISH: **304 #4**