

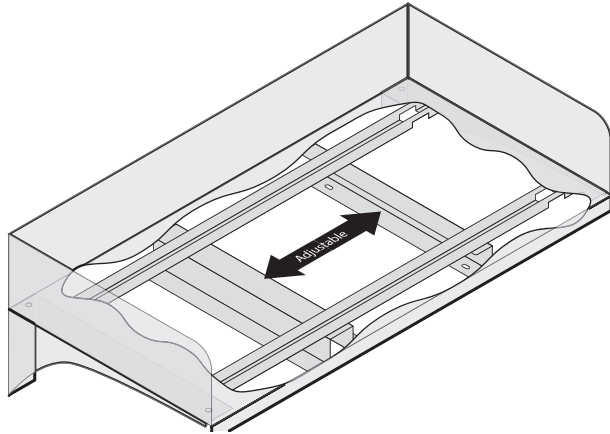


INTER DYNE
SYSTEMS

Inter Dyne Systems, Inc.
676 Ellis Road
Norton Shores, MI 49441
Ph: 877.4ss.labs
www.interdynesystems.com

Adjustable Racking System Kit

DLX-Graduated Cylinder Rack



Features

- All stainless steel construction
- Made from 18 gauge material
- Type 304 stainless steel, #4 finish

Size

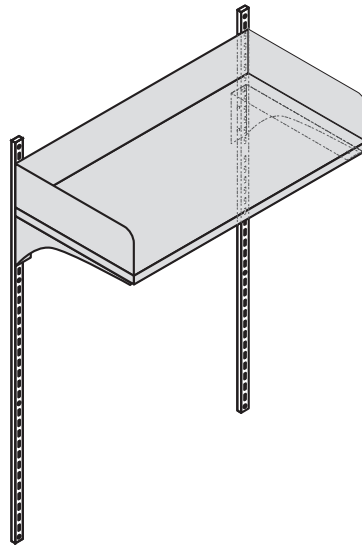
18"
20"
24"
30"
32"
36"
48"

Number of Brackets

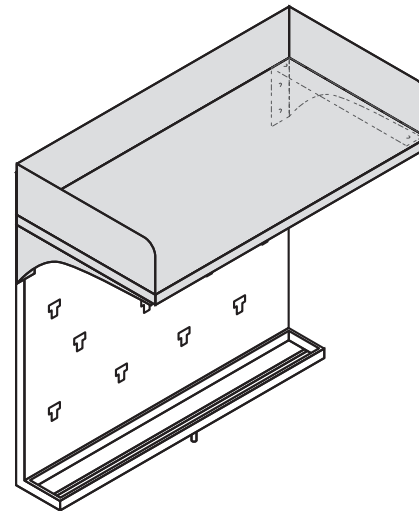
5
6
6
7
7
8
12

Product Compatibility

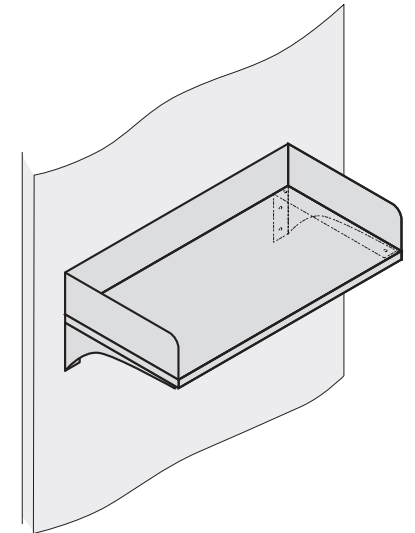
The DLX rack can be ordered to fit any Carboy shelf.
Just add the suffix "-DLX" to your desired shelf order.



Shelf Standard Mount



Pegboard Mount



Wall Mount