

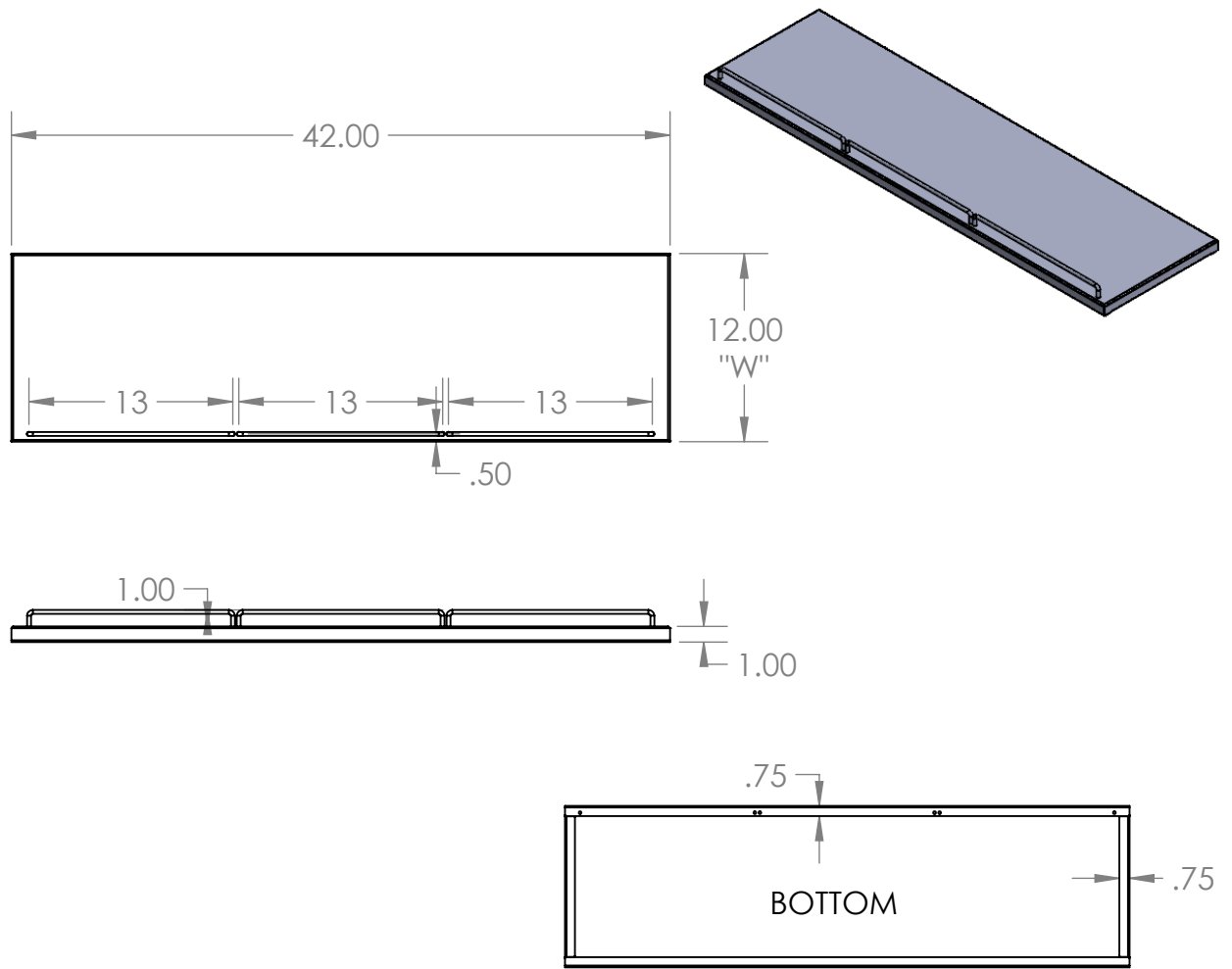
WS-SLFO "WALL SHELF WITH SEISMIC LIP FRONT ONLY

Stainless Steel wall shelf with seismic lips in front only

Features

- 42" L x 12" W x 1" T
- Type 304, 1/4" diameter seismic lips welded to shelf
- Constructed from 18 gauge, type 304 stainless steel, polished to a #4 finish
- Standard widths of 12" or 16"
- Also available in custom widths
- ***OPTIONAL***
- Seismic lips can be drilled & tapped for #10-24 screw for additional cost instead of welded to shelf

Product Dimensions



| REV. | REVISION DESCRIPTION | DRAWN | CHECKED | DATE | COMMENTS: |
|------|------------------------|-------|---------|----------|-----------|
| A | STANDARD PRINT CREATED | ASR | | 05/25/22 | |
| | | | | | |
| | | | | | |
| | | | | | |
| | | | | | |

UNLESS OTHERWISE SPECIFIED:
 DIMENSIONS ARE IN INCHES
 TOLERANCES:
 ANGULAR ±2.50°
 ONE-PLACE ±0.5
 TWO-PLACE ±0.13

PROPRIETARY AND CONFIDENTIAL
 THE INFORMATION CONTAINED IN THIS DRAWING IS THE SOLE PROPERTY OF INTER DYNE SYSTEMS. ANY REPRODUCTION IN PART OR AS A WHOLE WITHOUT THE WRITTEN PERMISSION OF INTER DYNE SYSTEMS IS PROHIBITED.



INTER DYNE SYSTEMS, INC
 676 E. Ellis Rd., Norton Shores, MI 49441
 Phone: 231-799-8760 Fax: 231-799-9690

PART NO.
WS-4212-SLFO

MATERIAL: 18GA **FINISH:** 304 #4

QTY: